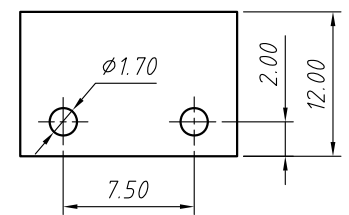
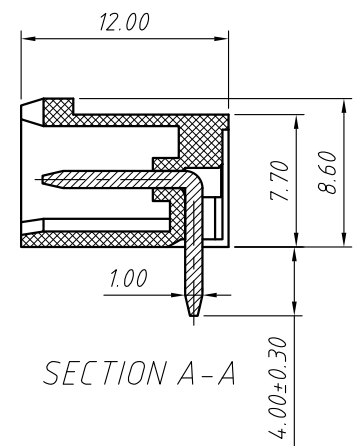
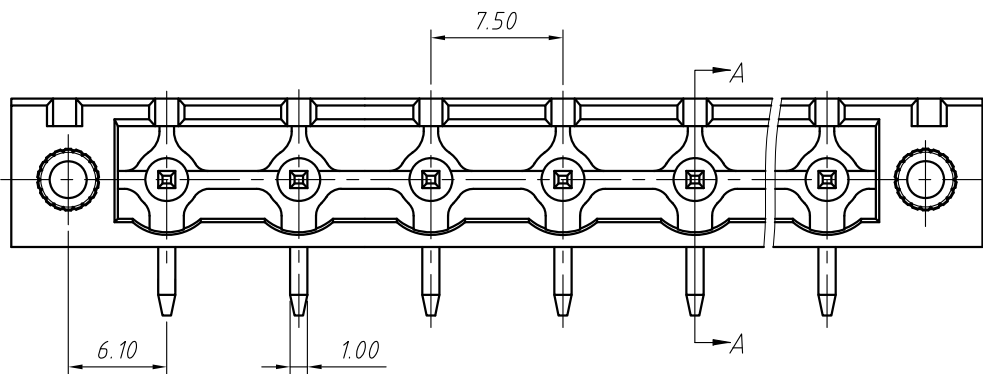


1 2 3 4 5 6 7 8

A
B
C
D
E
F
G
H



Material
 Housing: PA66, UL 94V-0
 Pin header: Brass, Tin plated
 Nut: M2.5 Brass

Electrical
 Rated voltage: 300V
 Rated current: 15A
 Contact Resistance: 20 mΩ
 Insulation resistance: 500MΩ/DC500V
 Withstand voltage: AC2000V / 1 min

Mechanical
 Temp. Range: -40 °C ~ +105 °C

Order Information

L-KLS2-EDRY-7.50-XXP-4 00
 RoHS
 Terminal Block
 Pitch
 No.: of Pole
 Color: 4- Green
 Product Code: 00~99

GENERAL TOLERANCE		ANGLE TOLERANCE		Description:	
X. ±0.60		X. ±5°		Pluggable Terminal Block 7.50 MM	
.X ±0.38		.X ±3°		KLS P/N:	KLS2-EDRY-7.50-XXP-4-00
.XX ±0.25		.XX ±2°			
Draw by	2015-09-01	PROJECTION			NingBo KLS ELECTRONIC CO.,L TD.
Check by	2015-09-15	UNITS	mm		
SCALE		SHEET SIZE	A4		

1 2 3 4 5 6 7 8