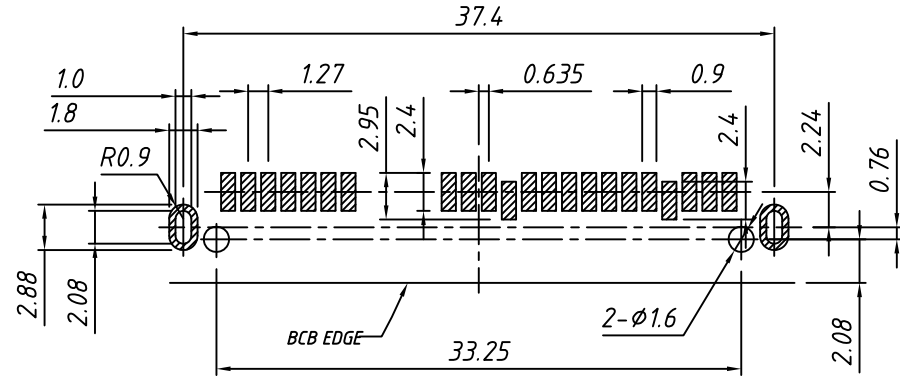
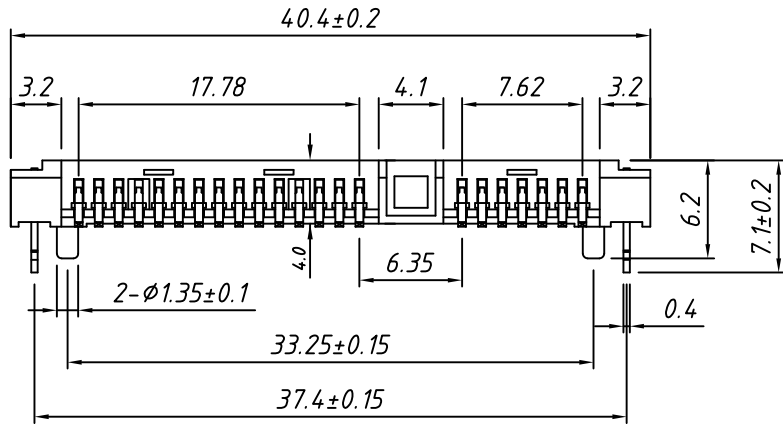
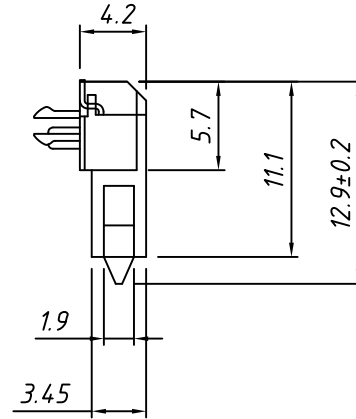
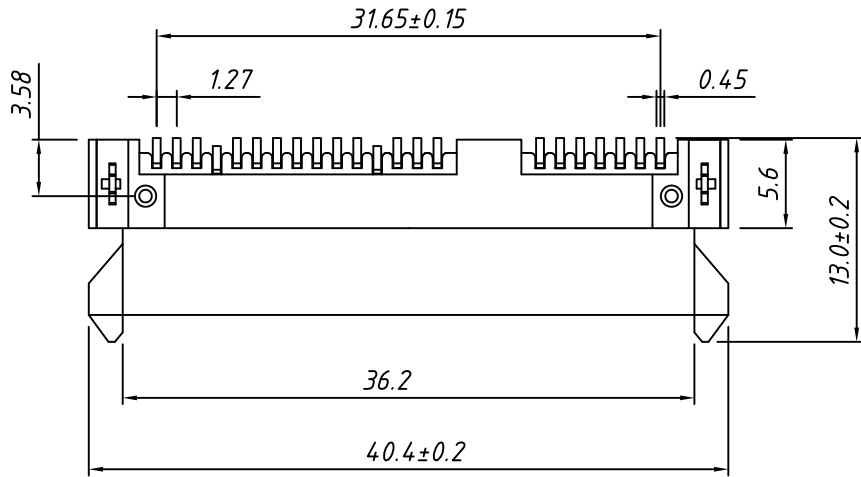


RoHS Compliance



Recommend PC Board Layout



MATERIAL:

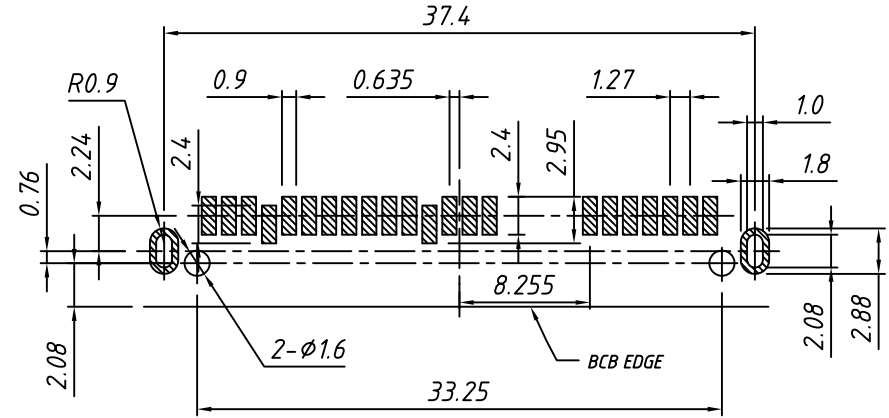
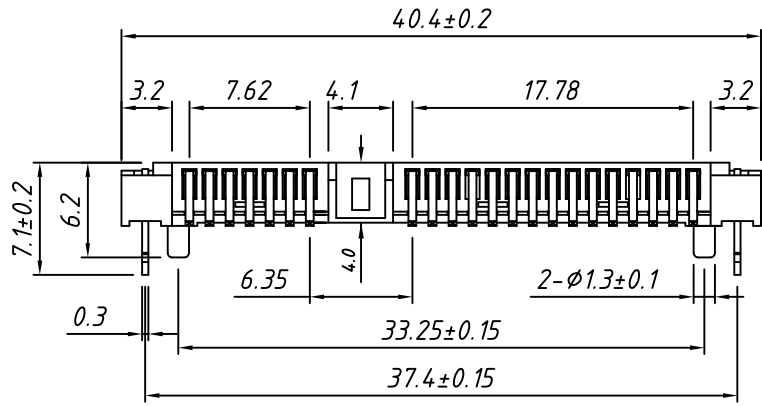
Housing: LCP, UL 94-V0, Black
 Contact: Copper alloy, 50u" min. Nickel plating
 Overall; 100u" min. Tin on solder tail;
 Gold plating on contact area.
 Hook: Copper alloy, Nickel and Tin plating overall.

ELECTRICAL:

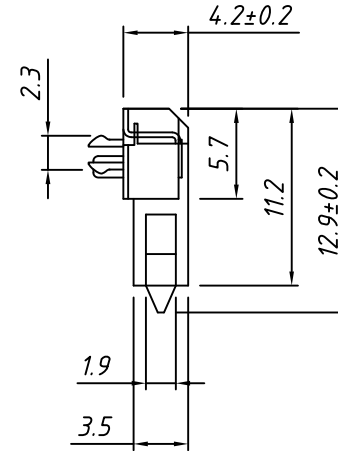
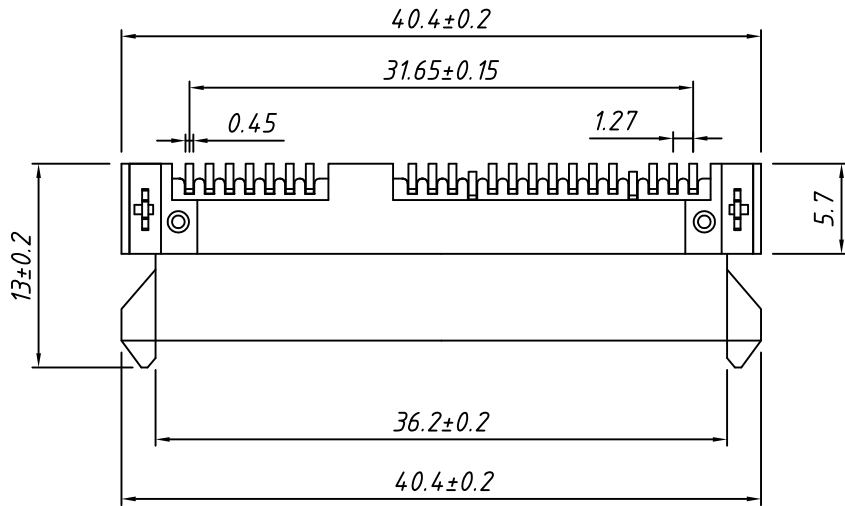
Contact Resistance: 25 mΩ Max.
 Insulation Resistance: 1000 MΩ Min.
 Dielectric Withstanding Voltage: 500VRMS Min.

TOLERANCE		Description:	
.X ±0.30	PROJECTION		SATA 7+15P Female Connector, DOWN SMD, H4.20mm
.XX ±0.20	UNITS	mm	
.XXX ±0.10	SHEET	A4	
X. ±2°	Draw:	Daniel	KLS P/N: L-KLS1-SATA409 D
.X ±1°	Check:	Daniel	NingBo KLS ELECTRONIC CO.,LTD.
.XX ±0.5°	Date	2018-03-01	

1 RoHS Compliance



Recommend PC Board Layout



MATERIAL:

Housing: LCP, UL 94-V0, Black
 Contact: Copper alloy, 50u" min. Nickel plating
 Overall: 100u" min. Tin on solder tail;
 Gold plating on contact area.
 Hook: Copper alloy, Nickel and Tin plating overall.

ELECTRICAL:

Contact Resistance: 25 mΩ Max.
 Insulation Resistance: 1000 MΩ Min.
 Dielectric Withstanding Voltage: 500VRMS Min.

TOLERANCE		Description:	
.X ±0.30	PROJECTION		SATA 7+15P Female Connector, UP SMD, H4.20mm
.XX ±0.20	UNITS	mm	
.XXX ±0.10	SHEET	A4	KLS P/N: L-KLS1-SATA409 U
X. ±2°	Draw:	Daniel	NingBo KLS ELECTRONIC CO.,LTD.
.X ±1°	Check:	Daniel	
.XX ±0.5°	Date	2018-03-01	