

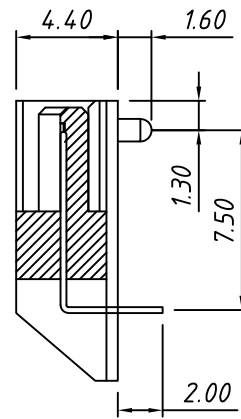
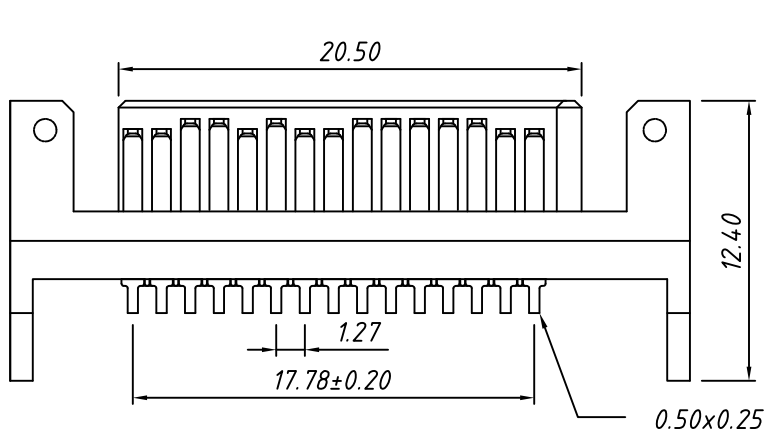
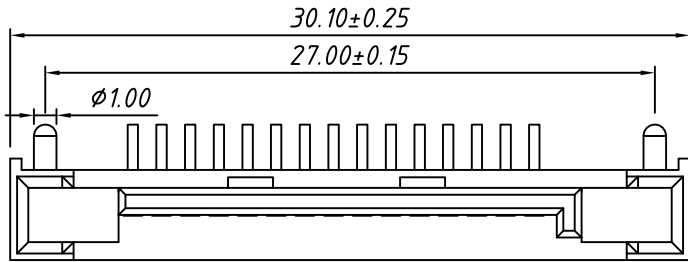
1 RoHS Compliance

MATERIAL:

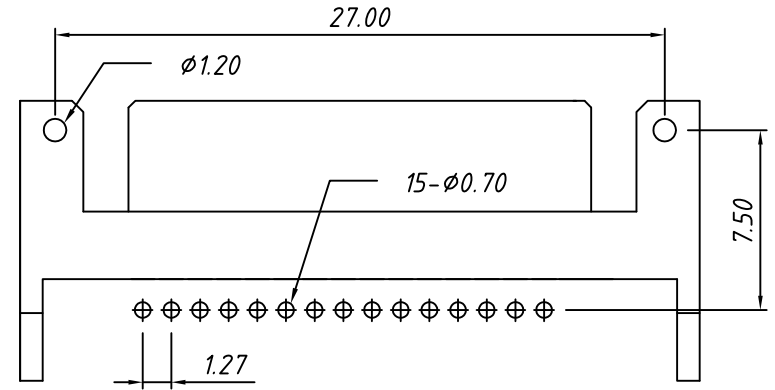
Housing:LCP,UL 94-V0,Black
 Contact:Copper alloy,50u"min. Nickel plating
 Overall;100u" min.Tin on solder tail;
 Gold plating on contact area.
 Hook:Copper alloy,Nickel and Tin plating overall.

ELECTRICAL:

Contact Resistance: 25 mΩ Max.
 Insulation Resistance:1000 MΩ Min.
 Dielectric Withstanding Voltage: 500VRMS Min.



SECTION A-A



Recommend PC Board Layout
 (Top layer, Thickness:1.60mm)

TOLERANCE		Description:		SATA Type A 15P Male Connector,Right angle DIP	
.X ±0.30	PROJECTION				
.XX ±0.20	UNITS	mm			
.XXX ±0.10	SHEET	A4	KLS P/N:	L-KLS1-SATA202	
X. ±2°	Draw:	Daniel		NingBo KLS ELECTRONIC CO.,LTD.	
.X ±1°	Check:	Daniel			
.XX ±0.5°	Date	2018-03-01			