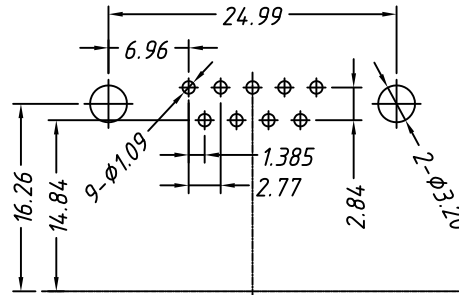
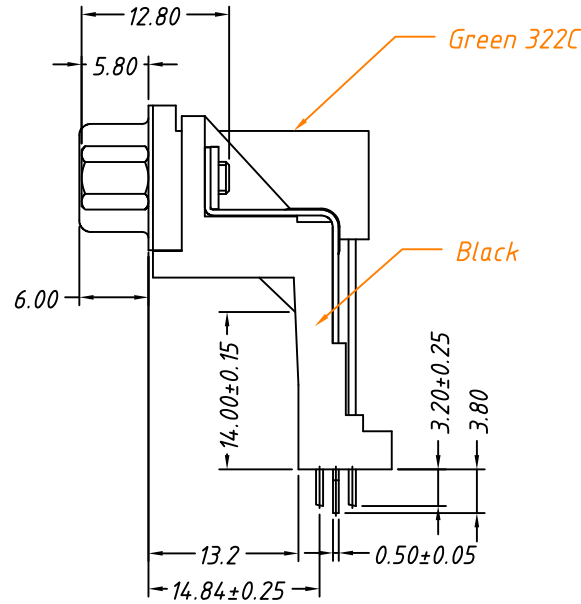
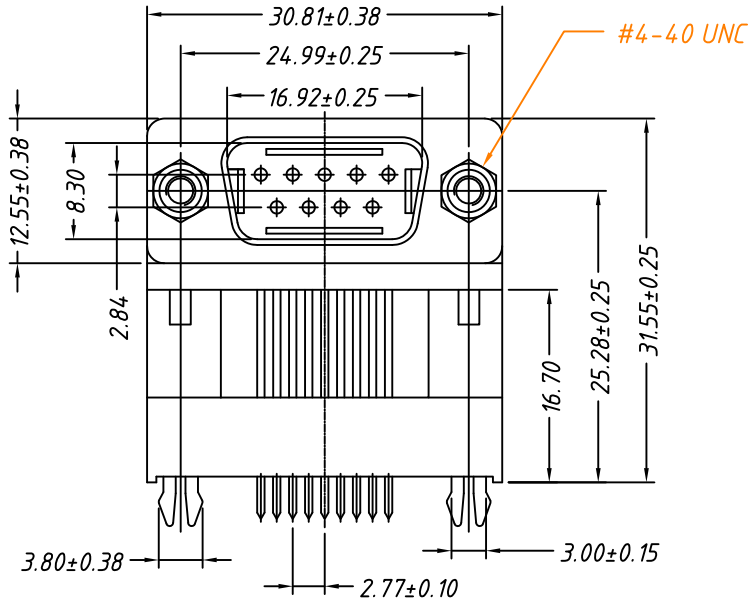
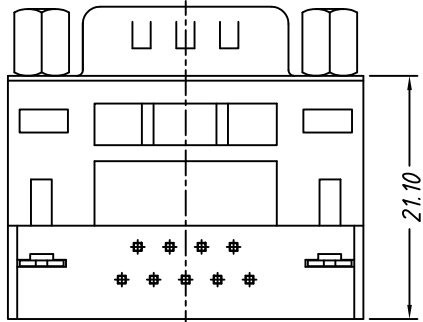


RoHS Compliant



RECOMMENDED PCB LAYOUT
TOLERANCE: ±0.05mm

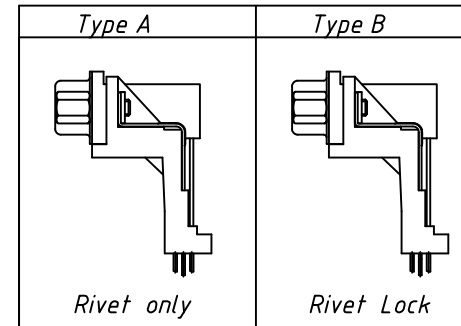
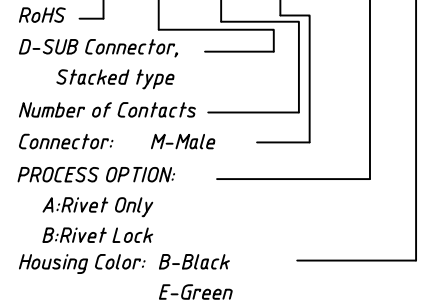


Material:
Housing: PBT+30% Glass filled ,UL94V-0
Contacts: Brass ,Gold Plating
Shell: Steel, Nickel Plating

Electrical Characteristics:
Current Rating: 3 AMP
Insulator Resistance: 1000MΩ Min. at DC 500V
Withstanding Voltage: 500V AC (rms) for 1 minute
Contact Resistance: 20mΩ Max. Initial
Operating Temperature: -55°C ~ +105°C

Order Information

L-KLS1-516-09 M - X B



GENERAL TOLERANCE		PROJECTION		Description:
X.	±0.30	UNITS	mm	D-SUB Connector, 9Pin Male,High Stacked type
.X	±0.25	SCALE	1:1	
.XX	±0.20	Draw by:	Daniel	KLS P/N: L-KLS1-516-09M-XB
ANGLE TOLERANCE		Check by:	Daniel	NingBo KLS ELECTRONIC CO.,L TD.
X.	±3°	Date	2018-03-01	
.X	±2°	SHEET	1 OF 1	
.XX	±1°			