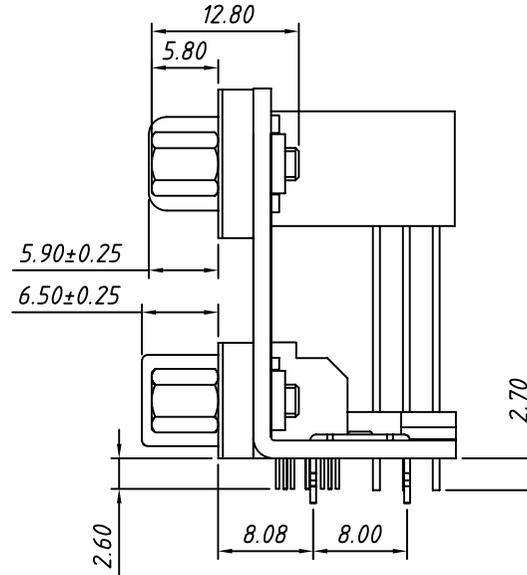
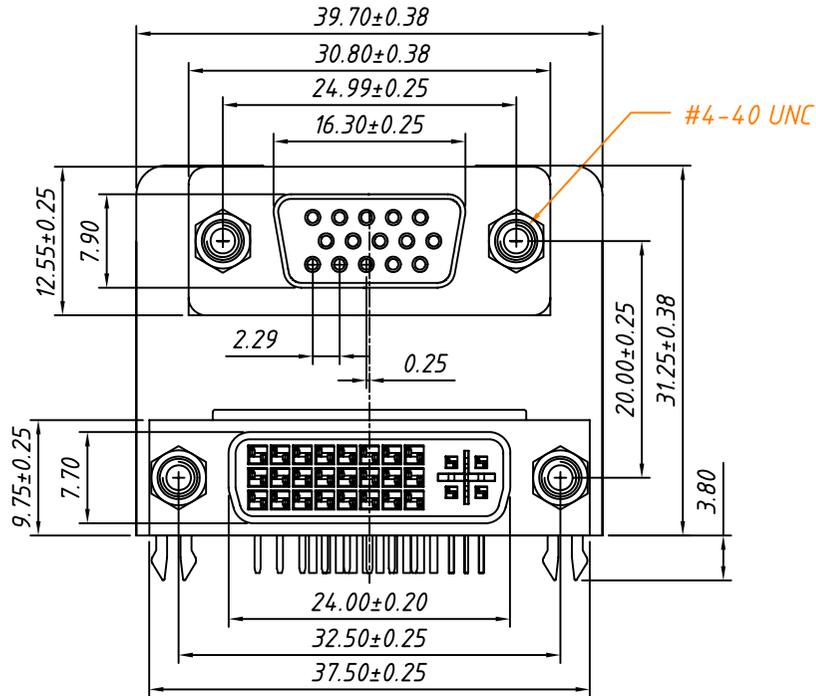


RoHS Compliant



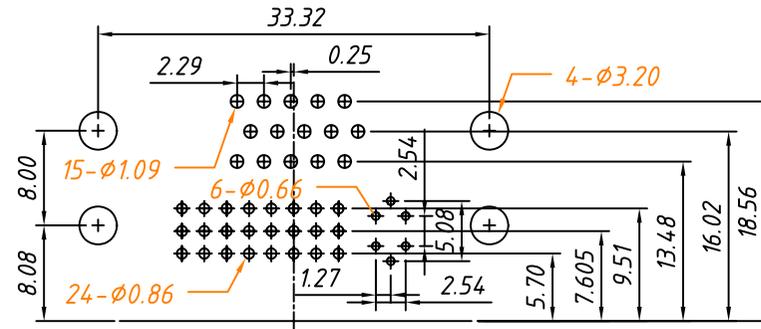
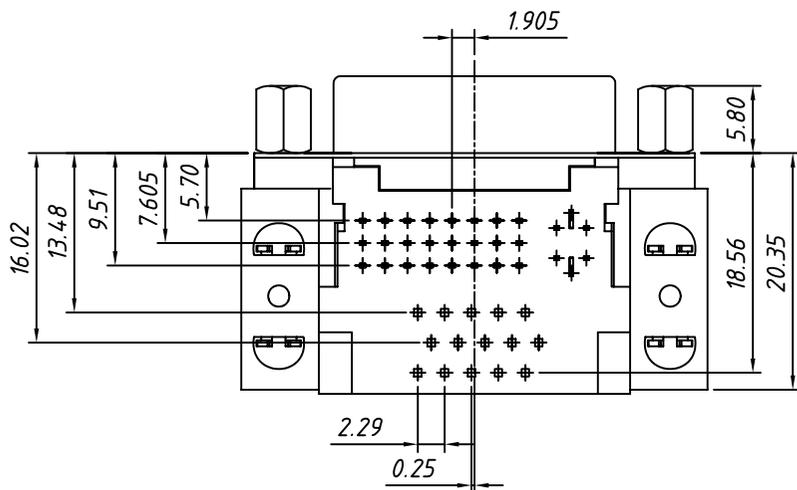
Material:  
 Housing:  
 VGA:PBT+30% Glass filled ,UL 94-V0,BLUE  
 DVI:PA66,WHITE  
 Contacts: Brass ,Gold Plating  
 Shell: Steel, Nickel Plating

Electrical Characteristics:  
 Current Rating: 3 AMP  
 Insulator Resistance: 1000MΩ Min. at DC 500V  
 Withstanding Voltage: 500V AC (rms) for 1 minute  
 Contact Resistance: 20mΩ Max. Initial  
 Operating Temperature: -55°C ~ +105°C

Order Information

L-KLS1 - 119 - 0001

RoHS   
 D-SUB Connector,  
 Stacked type  
 Number of Contacts:   
 0001: VGA 15P Female+DVI 24+5P Female



RECOMMENDED PCB LAYOUT

TOLERANCE:±0.05mm

GENERAL TOLERANCE	PROJECTION		Description:
X. ±0.30	UNITS	mm	D-SUB Connector,,Stacked type,VGA Female+DVI 24+5 Female
.X ±0.25	SCALE	1:1	
.XX ±0.20	Draw by:	Daniel	KLS P/N: L-KLS1-119-0001
ANGLE TOLERANCE	Check by:	Daniel	NingBo KLS ELECTRONIC CO.,L TD.
X. ±3°	Date	2018-03-01	
.X ±2°	SHEET	1 OF 1	
.XX ±1°			