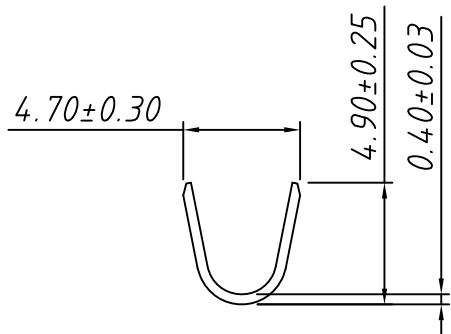
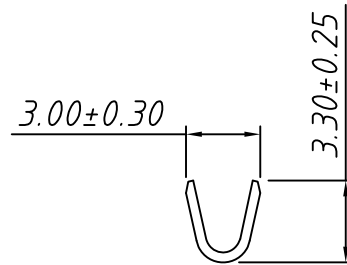


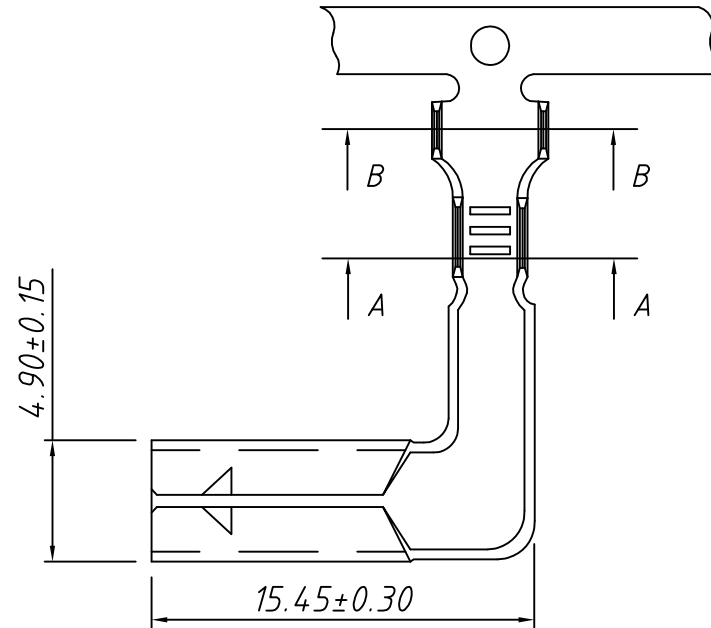
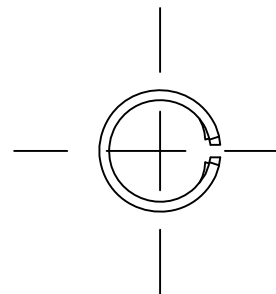
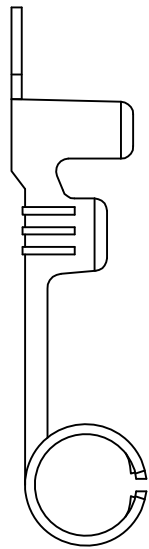
1
RoHS Compliant



SECTION B-B




SECTION A-A



Note:

1. Appearance: Terminal cannot be corrected, scratched or oxidized
2. Material:
Brass C2680, T=0.40mm, Tin plating
3. Q'TY: 2500PCS/REEL
4. Connection Table: KLS8-SHM02
5. Wire Range: 16 ~ 18AWG

TOLERANCE		PROJECTION	Description:		
0 - 3mm	±0.10	UNITS	mm		
3 - 6mm	±0.15	SHEET SIZE	A4		
6 - 10mm	±0.20	KLS P/N: KLS8-SHF030401			
10 - 30mm	±0.25	 NingBo KLS ELECTRONIC CO.,L TD.			
Draw:	Daniel			ANGLE	±3°
Check:	Daniel			Data:	2019-04-10