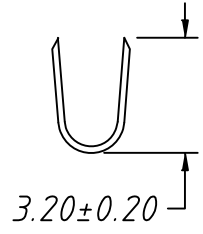
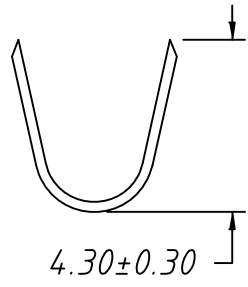
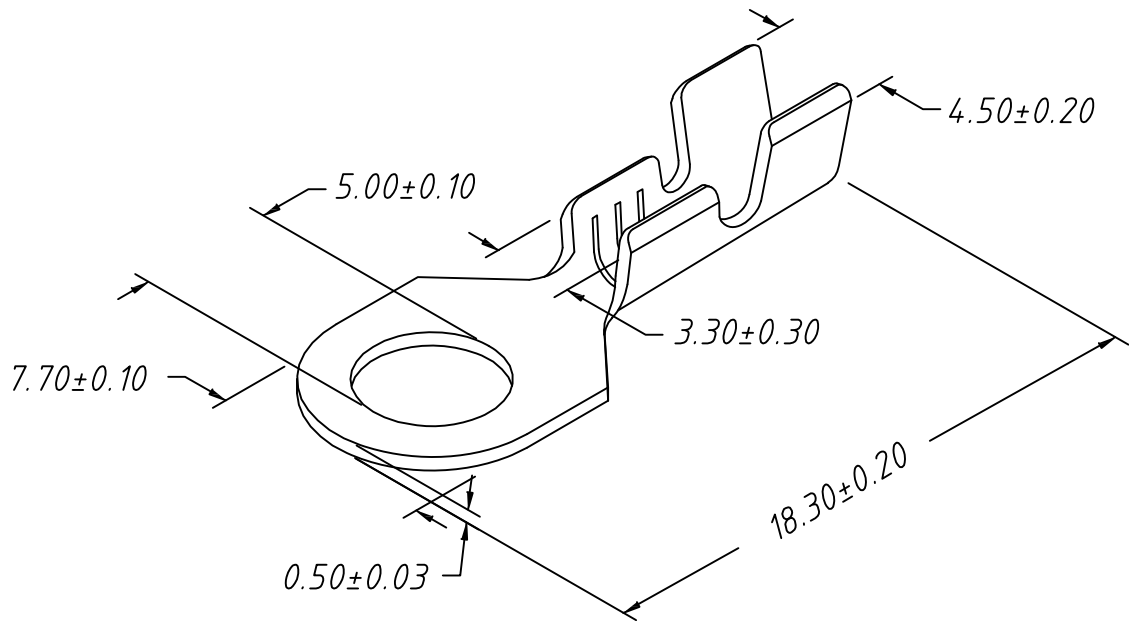
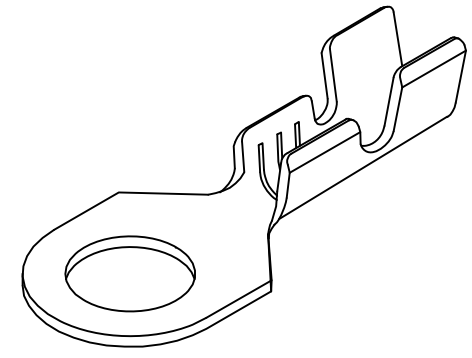


1  
RoHS Compliant



Note:  
 1. Appearance: Terminal cannot be corrected, scratched or oxidized  
 2. Material:  
     Brass C2680, T=0.50mm, Tin plating  
 3. Q'TY: 5000PCS/REEL  
 4. Wire Range: 18~20AWG

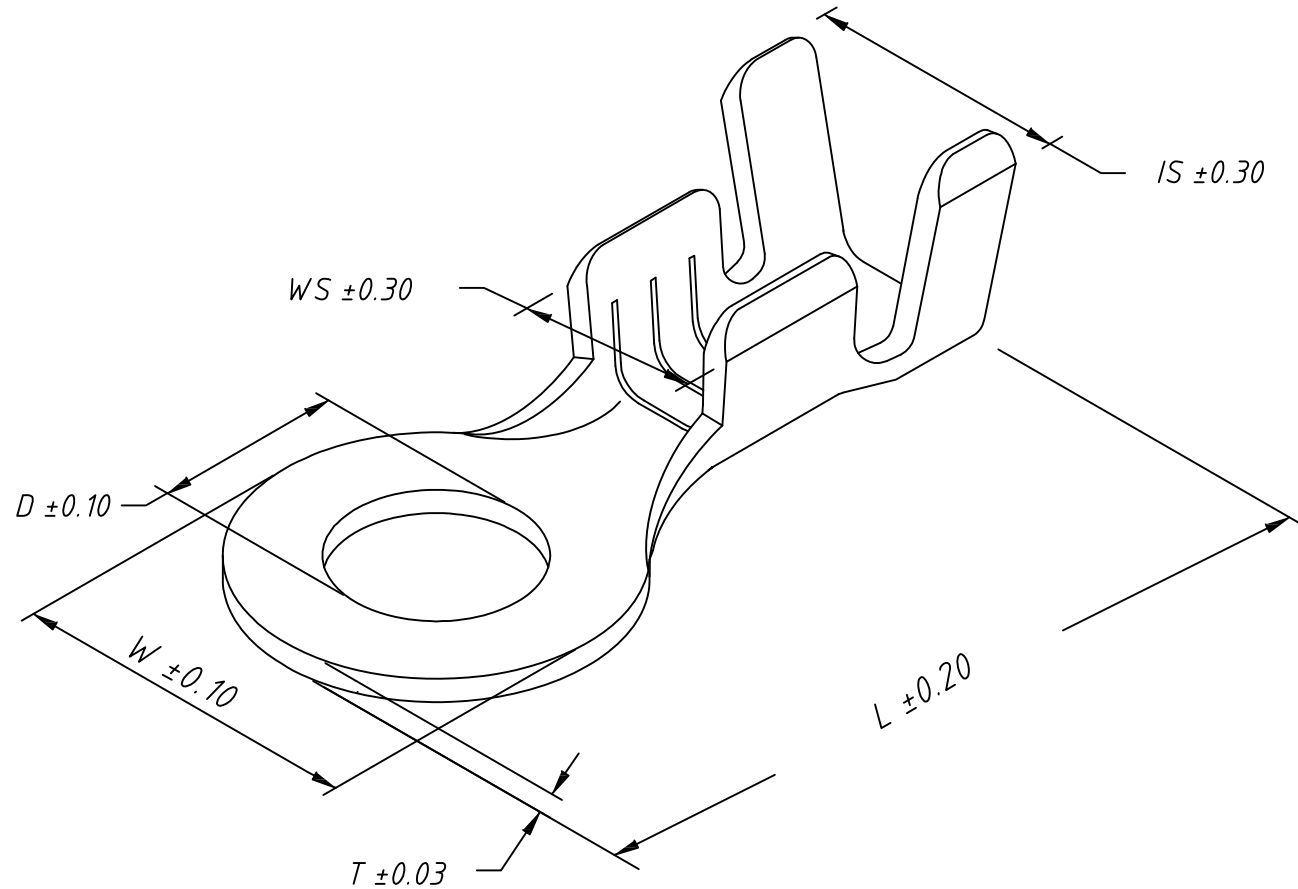
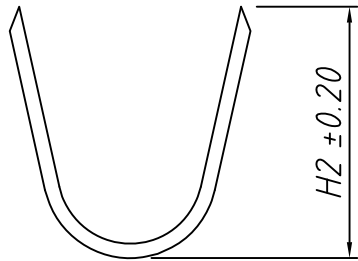
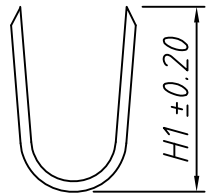


TOLERANCE		PROJECTION	Description:
0 - 3mm	±0.10	UNITS	mm
3 - 6mm	±0.15	SHEET SIZE	A4
6 - 10mm	±0.20	KLS P/N: KLSB-RRD200501	
10 - 30mm	±0.25		

Draw: Daniel ANGLE ±3°  
 Check: Daniel Data: 2019-04-10

**KLS** NingBo KLS ELECTRONIC CO.,L TD.

RoHS Compliant




Note:

1. Appearance: Terminal cannot be corrected, scratched or oxidized
2. Material:

Brass C2680, Tin plating

L-KLS8-RRD250403	Brass	Tin	2.50	5.0		12.0	0.40	3.00	3.20	4.30	4.60	16~20	15000
L-KLS8-RRD250402	Brass	Tin	2.50	5.0	5.5	10.5	0.40	2.05	2.40	2.85	3.20	20~22	25000
L-KLS8-RRD250301	Brass	Tin	2.50	4.5		9.30	0.25	1.90	2.00	2.40	2.50	22~24	25000
P/N	Material	Plating	Dimension(mm)									Wire Range	Q'TY
			D	W	E	L	T	H1	WS	H2	IS	AWG	Q'TY

TOLERANCE		PROJECTION	Description:
0 - 3mm	±0.10	UNITS	mm
3 - 6mm	±0.15	SHEET SIZE	A4
6 - 10mm	±0.20	KLS P/N: KLS8-RRD25XXXX	
10 - 30mm	±0.25	KLS P/N: KLS8-RRD25XXXX	
Draw: Daniel	ANGLE ±3°	 NingBo KLS ELECTRONIC CO.,L TD.	
Check: Daniel	Data: 2019-04-10		

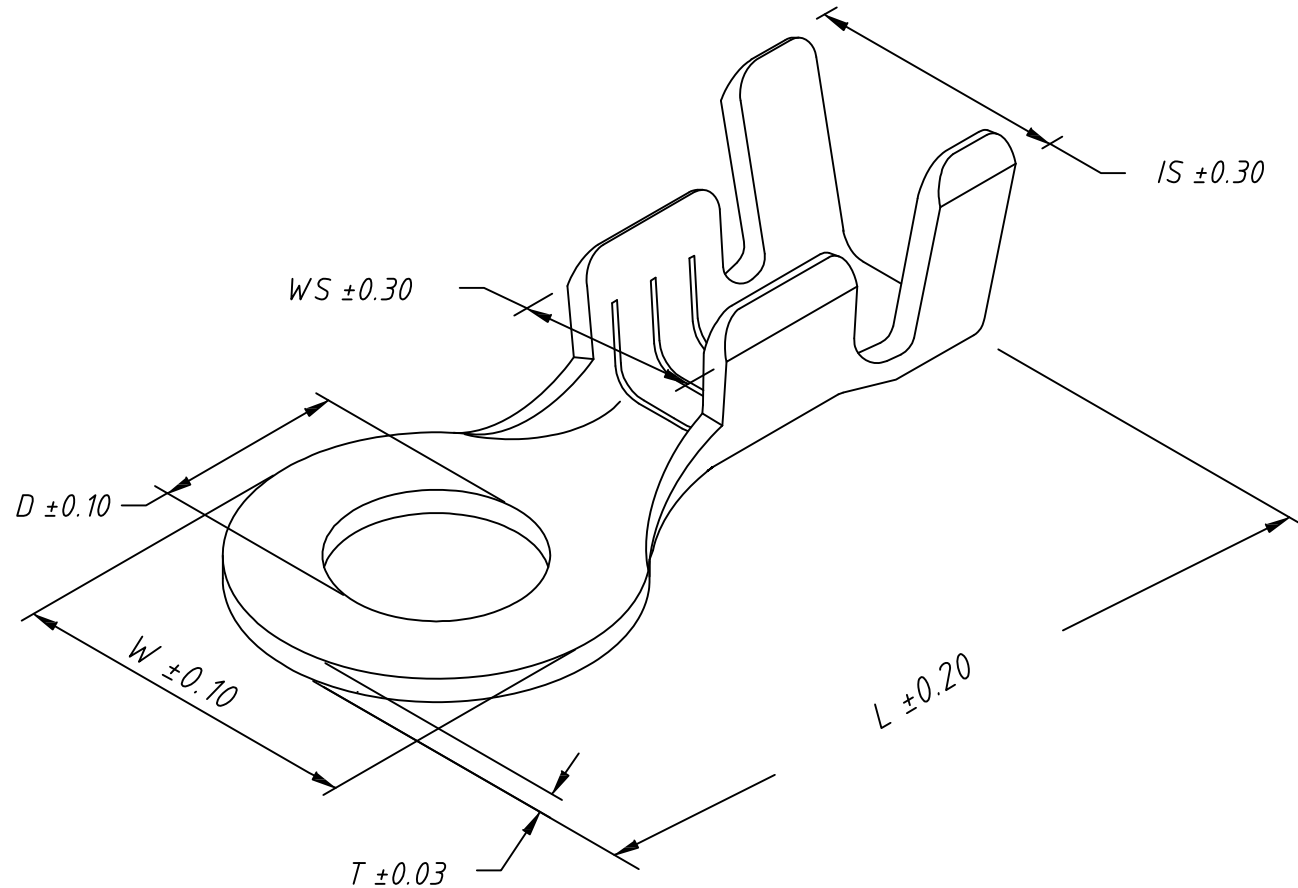
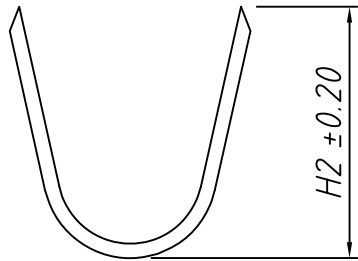
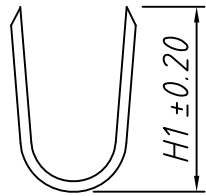
ø2.5mm Ring

Non-insulated terminals



NingBo KLS ELECTRONIC CO.,L TD.

RoHS Compliant




Note:

1. Appearance: Terminal cannot be corrected, scratched or oxidized
2. Material:

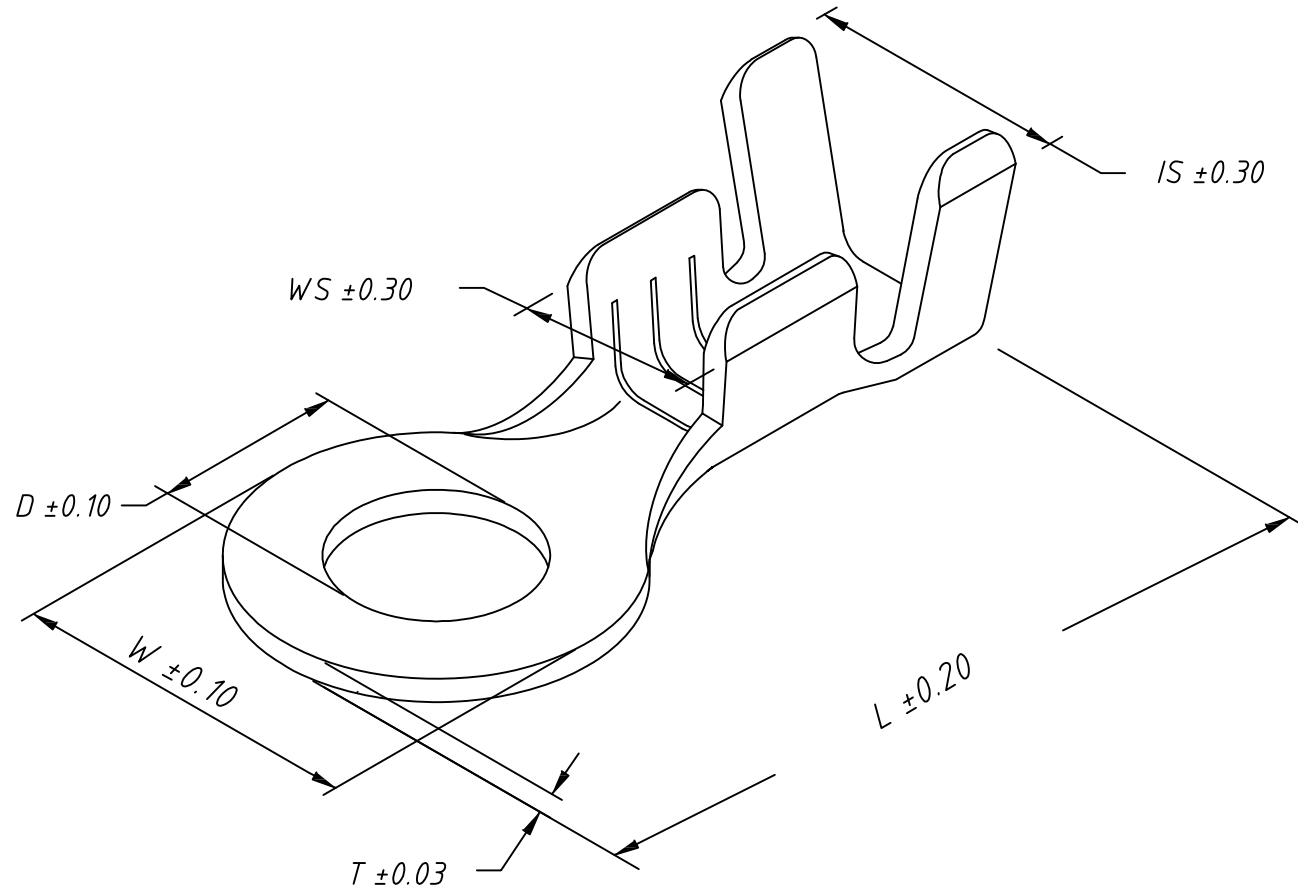
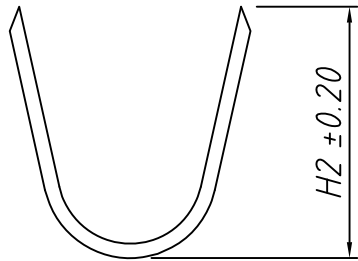
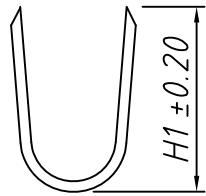
Brass C2680, Tin plating

L-KLS8-RRD320506	Brass	Tin	3.20	7.0	10.0	17.5	0.50	4.40	4.70	5.70	6.30	12~14	5000
L-KLS8-RRD320405	Brass	Tin	3.20	7.0	8.70	16.0	0.40	3.30	3.50	4.60	4.80	16~20	7500
L-KLS8-RRD320304	Brass	Tin	3.20	6.4	10.0	15.2	0.30	2.30	2.80	3.60	3.70	18~22	7500
L-KLS8-RRD320403	Brass	Tin	3.20	6.0	6.30	10.5	0.40	2.90	3.20	4.20	4.60	16~18	15000
L-KLS8-RRD320402	Brass	Tin	3.20	5.0	5.40	10.0	0.40	2.85	3.00	4.30	4.60	18~20	15000
L-KLS8-RRD320401	Brass	Tin	3.20	5.0	5.50	10.5	0.40	2.05	2.40	2.85	3.20	20~24	25000
P/N	Material	Plating	D	W	E	L	T	H1	WS	H2	IS	AWG	Q'TY
Dimension(mm)												Wire Range	Q'TY

TOLERANCE		PROJECTION	Description:
0 - 3mm	±0.10	UNITS	mm
3 - 6mm	±0.15	SHEET SIZE	A4
6 - 10mm	±0.20	KLS P/N: KLS8-RRD32XXXX	
10 - 30mm	±0.25	KLS P/N: KLS8-RRD32XXXX	
Draw: Daniel	ANGLE ±3°	 NingBo KLS ELECTRONIC CO.,L TD.	
Check: Daniel	Data: 2019-04-10		

φ3.2mm Ring  
Non-insulated terminals

RoHS Compliant




Note:

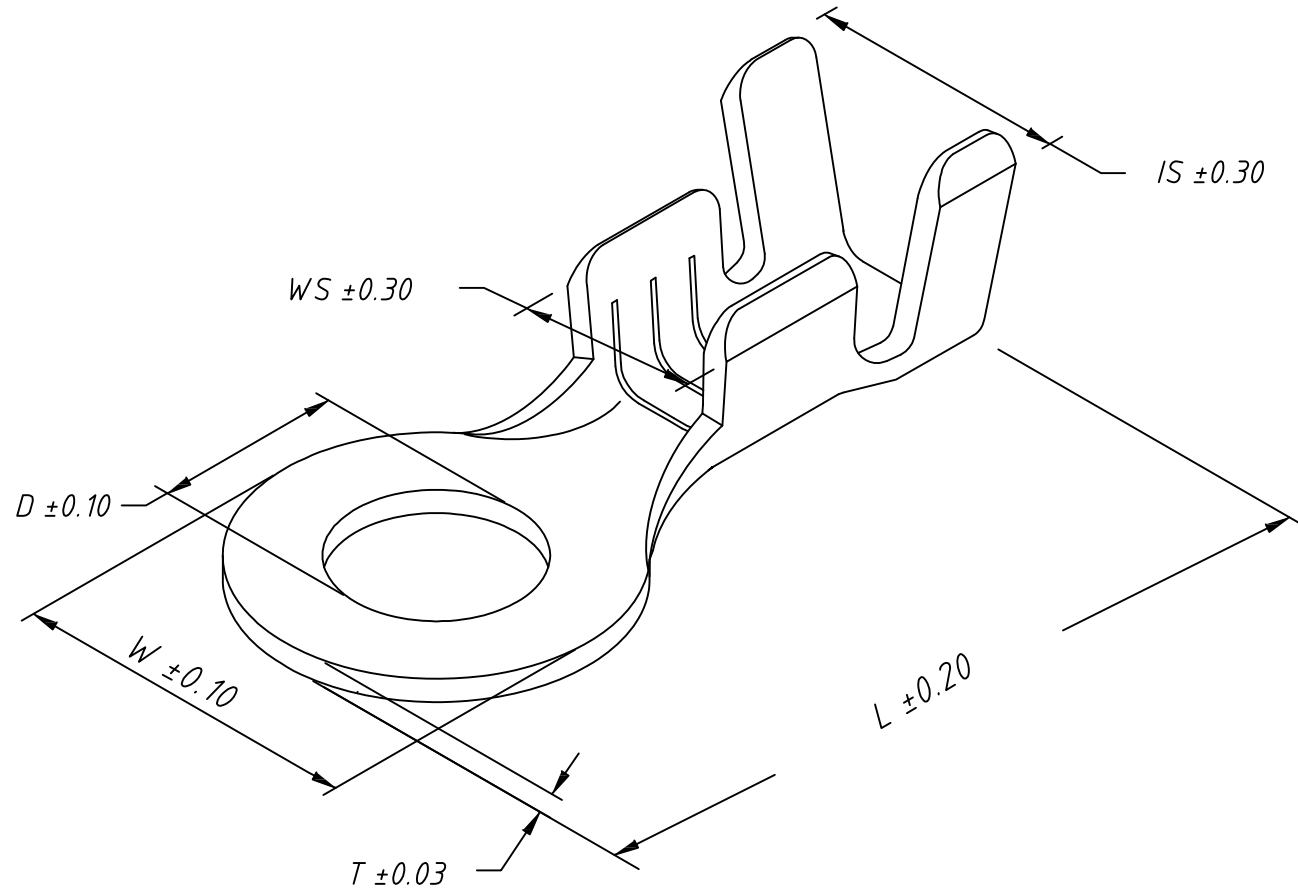
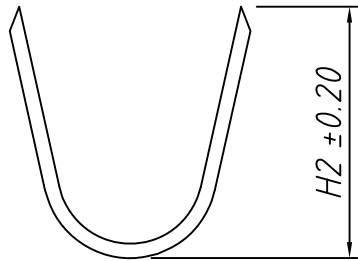
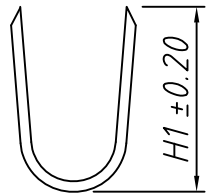
1. Appearance: Terminal cannot be corrected, scratched or oxidized
2. Material:

Brass C2680, Tin plating

P/N	Material	Plating	D	W	E	L	T	H1	WS	H2	IS	AWG	Q'TY
L-KLS8-RRD370304	Brass	Tin	3.70	7.0	8.70	16.0	0.40	3.30	3.50	4.60	4.80	16~20	7500
L-KLS8-RRD370403	Brass	Tin	3.70	6.5	7.00	11.6	0.40	2.90	3.20	4.70	4.70	16~20	15000
L-KLS8-RRD370402	Brass	Tin	3.70	8.0	11.0	19.0	0.40	3.30	3.60	5.00	5.20	16~18	5000
L-KLS8-RRD370401	Brass	Tin	3.70	6.0	8.70	12.4	0.40	3.00	3.20	4.4.30	4.60	16~18	15000

TOLERANCE		PROJECTION	Description:
0 - 3mm	±0.10	UNITS	mm
3 - 6mm	±0.15	SHEET SIZE	A4
6 - 10mm	±0.20	KLS P/N: KLS8-RRD37XXXX	
10 - 30mm	±0.25	KLS P/N: KLS8-RRD37XXXX	
Draw: Daniel	ANGLE ±3°	 NingBo KLS ELECTRONIC CO.,L TD.	
Check: Daniel	Data: 2019-04-10		

RoHS Compliant




Note:

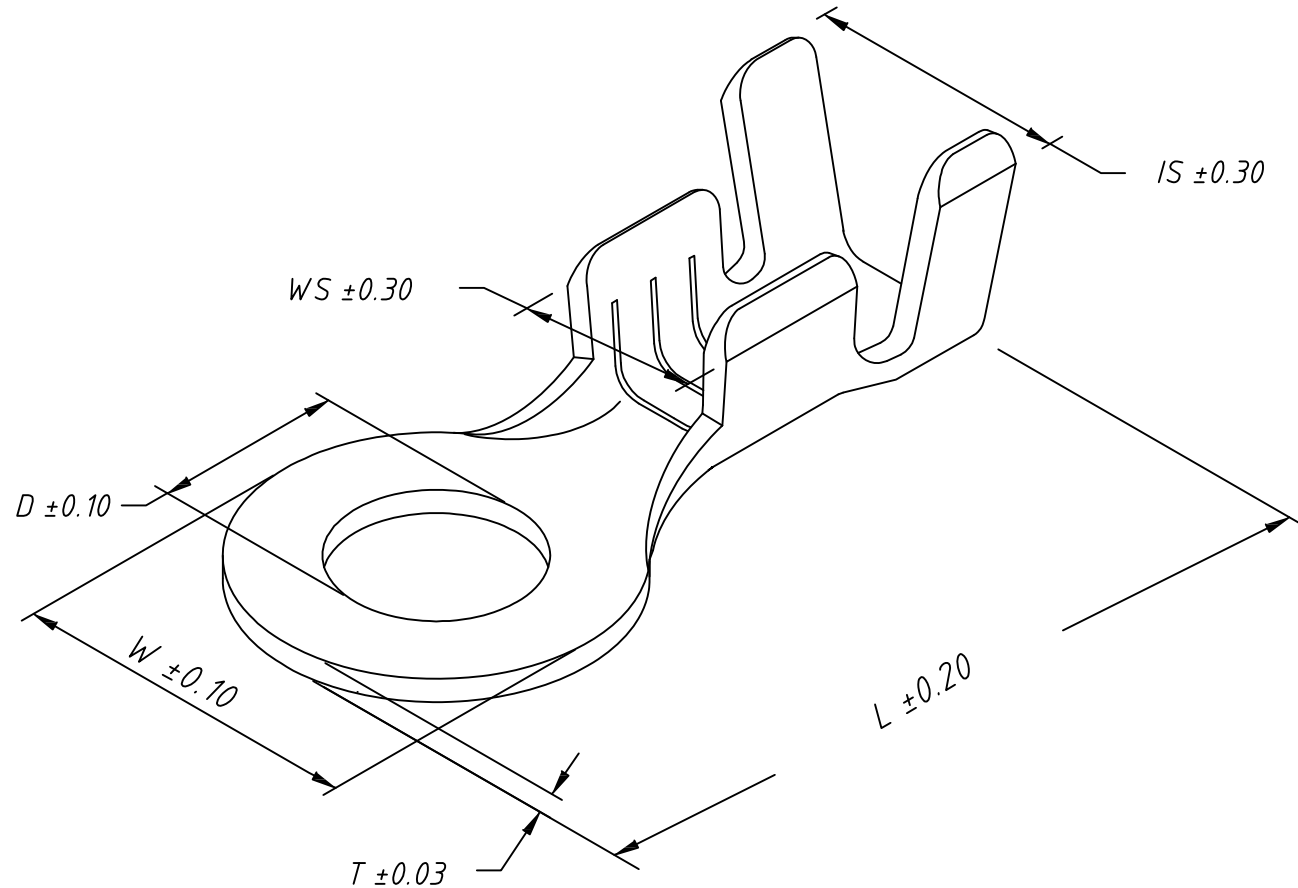
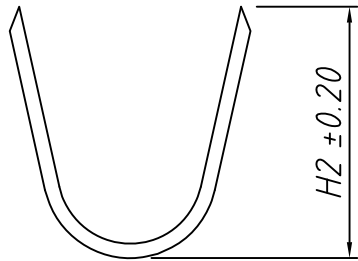
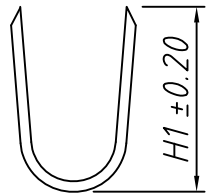
1. Appearance: Terminal cannot be corrected, scratched or oxidized
2. Material:

Brass C2680, Tin plating

P/N	Material	Plating	D	W	E	L	T	H1	WS	H2	IS	AWG	Q'TY
L-KLS8-RRD420505	Brass	Tin	4.20	8.0	11.0	19.0	0.50	3.40	3.50	5.10	5.30	16~20	5000
L-KLS8-RRD420504	Brass	Tin	4.20	7.0	8.70	16.0	0.50	4.10	4.10	5.00	7.30	16+16	7500
L-KLS8-RRD420503	Brass	Tin	4.20	7.0	8.70	16.0	0.50	3.30	3.50	4.60	4.80	16~20	7500
L-KLS8-RRD420402	Brass	Tin	4.20	6.0	6.70	12.4	0.40	3.00	3.20	4.30	4.60	16~18	15000
L-KLS8-RRD420401	Brass	Tin	4.20	6.0	7.00	12.5	0.40	2.00	2.40	2.80	3.30	22~16	15000

TOLERANCE		PROJECTION	Description:
0 - 3mm	±0.10	UNITS	mm
3 - 6mm	±0.15	SHEET SIZE	A4
6 - 10mm	±0.20	KLS P/N: KLS8-RRD42XXXX	
10 - 30mm	±0.25	KLS P/N: KLS8-RRD42XXXX	
Draw: Daniel	ANGLE ±3°	 NingBo KLS ELECTRONIC CO.,L TD.	
Check: Daniel	Data: 2019-04-10		

1  
RoHS Compliant




Note:

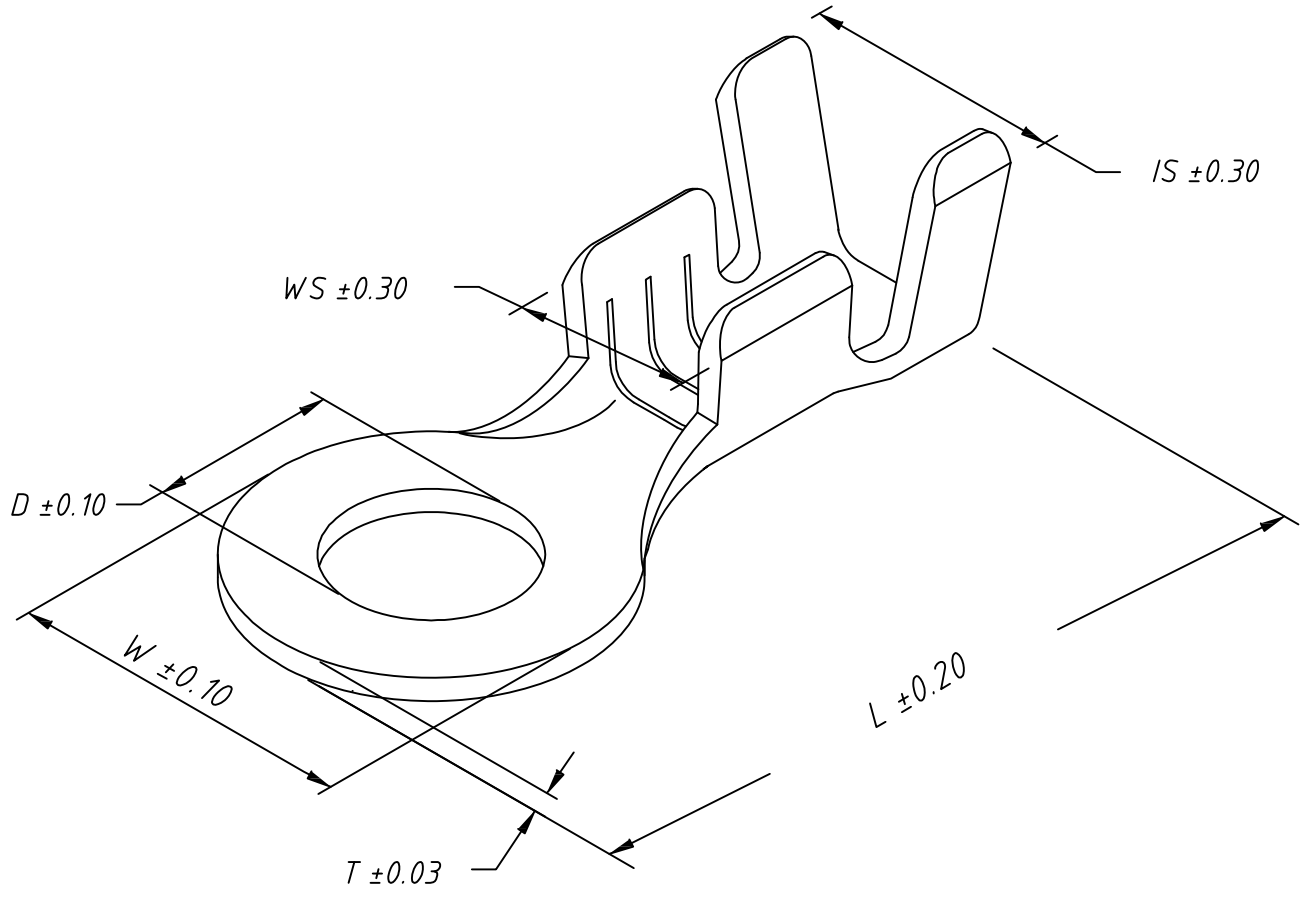
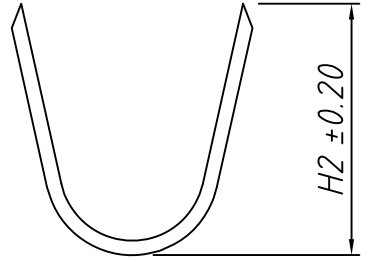
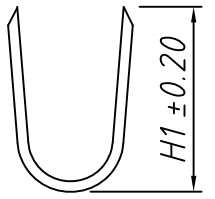
1. Appearance: Terminal cannot be corrected, scratched or oxidized
2. Material:

Brass C2680, Tin plating

P/N	Material	Plating	D	W	E	L	T	H1	WS	H2	IS	AWG	Q'TY
L-KLS8-RRD530804	Brass	Tin	5.30	10.0	13.0	22.0	0.80	7.90	6.00	5.80	8.30	10~12	3000
L-KLS8-RRD530503	Brass	Tin	5.30	10.0	13.0	22.0	0.50	3.60	4.20	5.20	5.50	16~20	3000
L-KLS8-RRD530502	Brass	Tin	5.30	8.40	11.0	19.0	0.50	4.30	4.30	6.20	6.80	14~16	5000
L-KLS8-RRD530501	Brass	Tin	5.30	8.00	11.0	19.0	0.50	3.30	3.30	5.00	5.20	16~20	5000


TOLERANCE		PROJECTION	Description:
0 - 3mm	±0.10	UNITS	mm
3 - 6mm	±0.15	SHEET SIZE	A4
6 - 10mm	±0.20	KLS P/N: KLS8-RRD53XXXX	
10 - 30mm	±0.25	KLS P/N: KLS8-RRD53XXXX	
Draw: Daniel	ANGLE ±3°	 NingBo KLS ELECTRONIC CO.,L TD.	
Check: Daniel	Data: 2019-04-10		

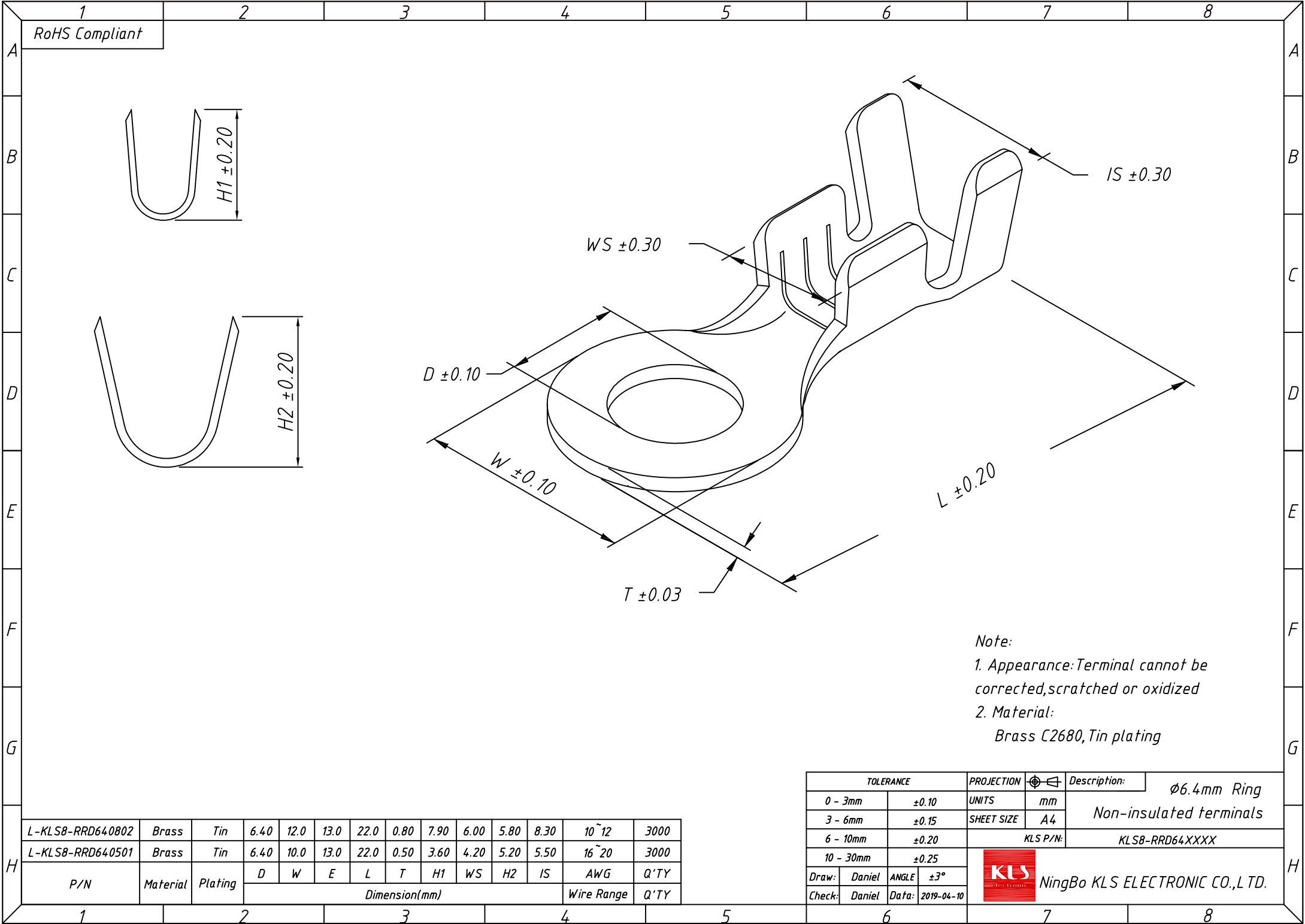
1  
RoHS Compliant



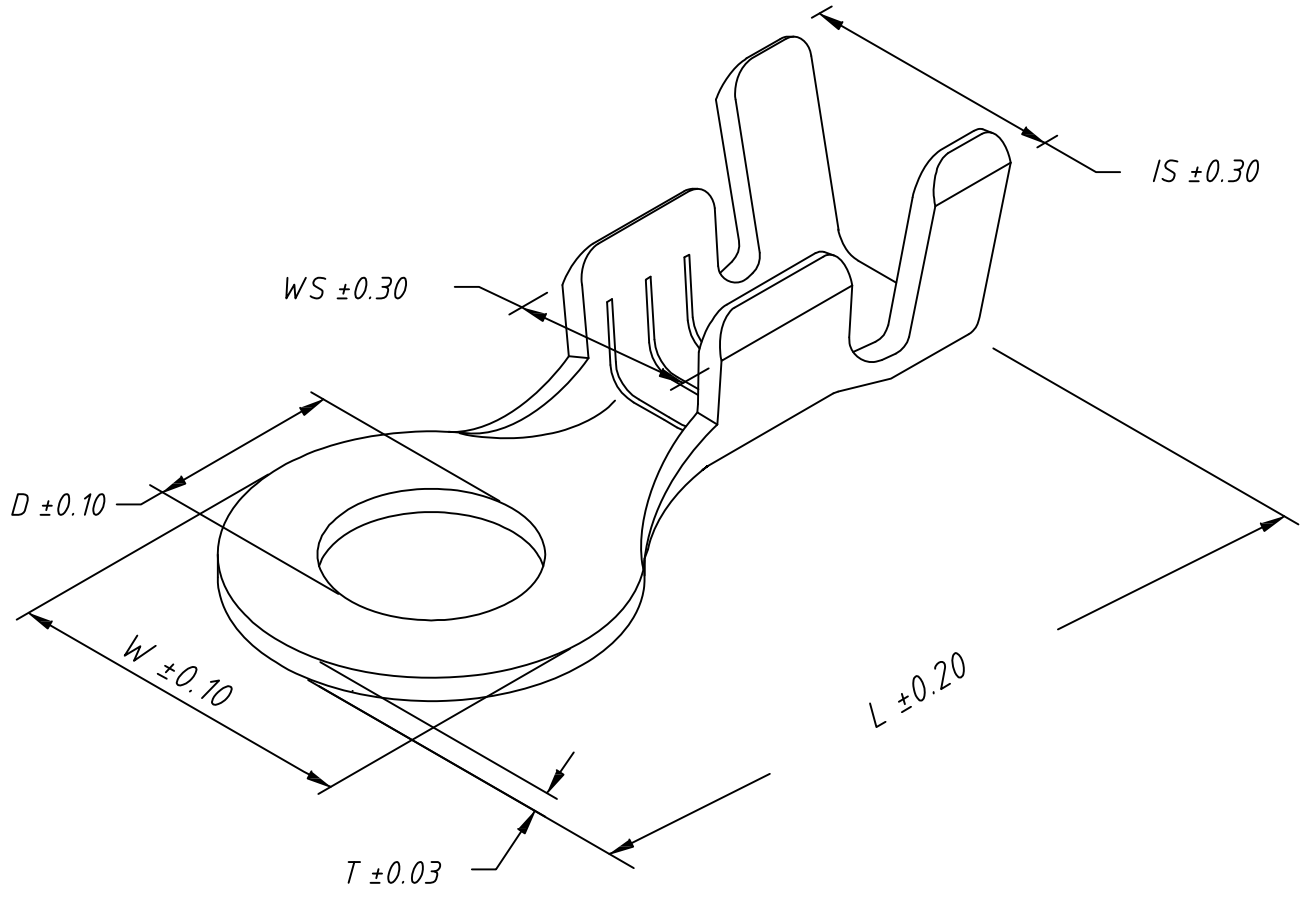
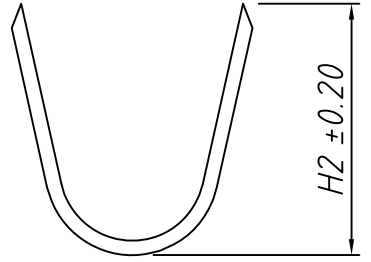
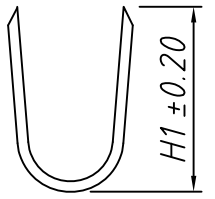
Note:  
 1. Appearance: Terminal cannot be corrected, scratched or oxidized  
 2. Material:  
 Brass C2680, Tin plating

L-KLS8-RRD640802	Brass	Tin	6.40	12.0	13.0	22.0	0.80	7.90	6.00	5.80	8.30	10~12	3000
L-KLS8-RRD640501	Brass	Tin	6.40	10.0	13.0	22.0	0.50	3.60	4.20	5.20	5.50	16~20	3000
P/N	Material	Plating	Dimension(mm)									Wire Range	Q'TY
			D	W	E	L	T	H1	WS	H2	IS	AWG	Q'TY

TOLERANCE		PROJECTION	Description:		
0 - 3mm	±0.10	UNITS	mm		
3 - 6mm	±0.15	SHEET SIZE	A4		
6 - 10mm	±0.20	KLS P/N: KLS8-RRD64XXXX			
10 - 30mm	±0.25	 NingBo KLS ELECTRONIC CO.,L TD.			
Draw:	Daniel			ANGLE	±3°
Check:	Daniel			Data:	2019-04-10



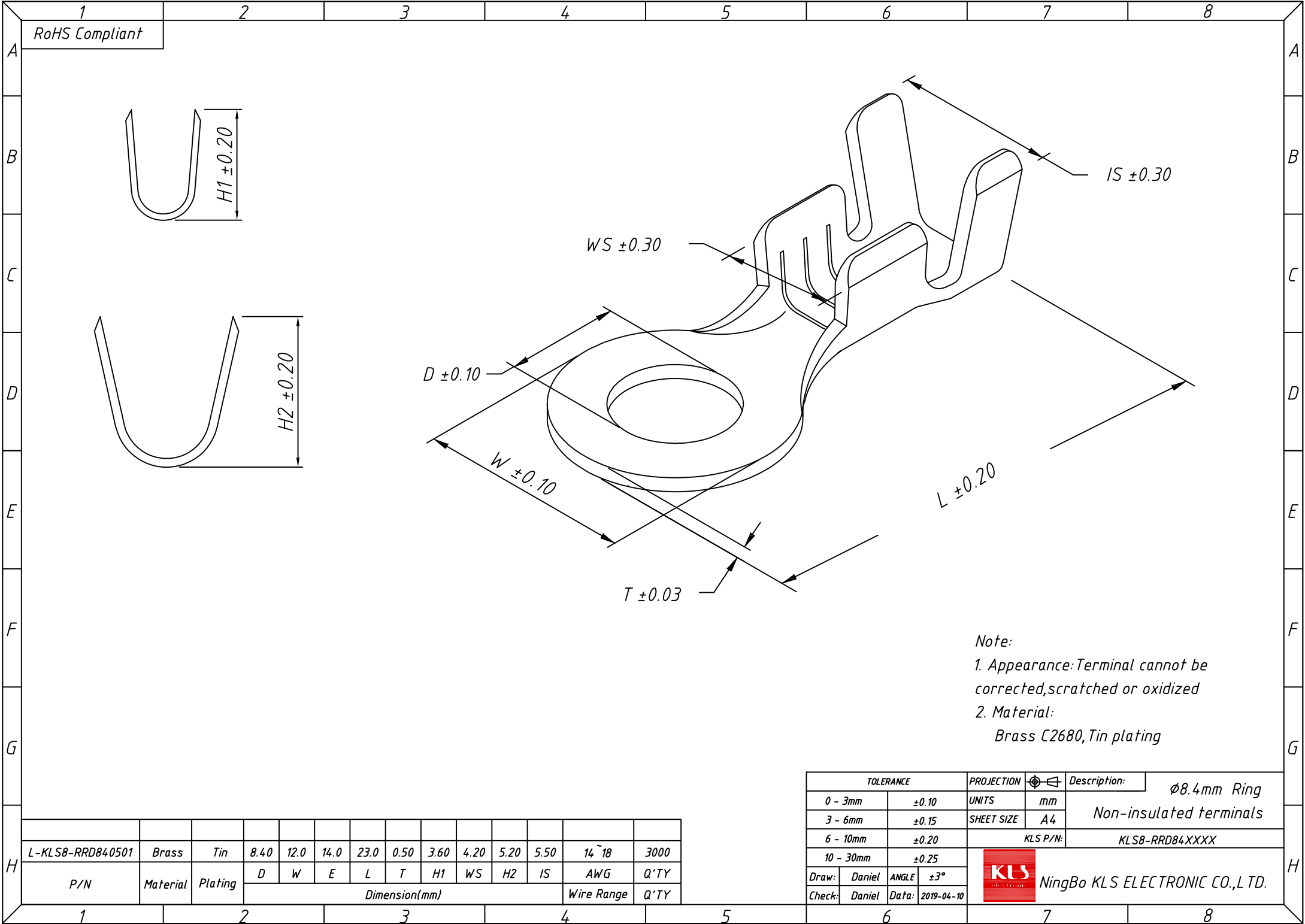
1  
RoHS Compliant



Note:  
 1. Appearance: Terminal cannot be corrected, scratched or oxidized  
 2. Material:  
 Brass C2680, Tin plating

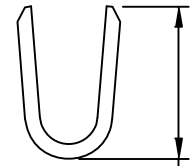
L-KLS8-RRD840501	Brass	Tin	8.40	12.0	14.0	23.0	0.50	3.60	4.20	5.20	5.50	14~18	3000
P/N	Material	Plating	Dimension(mm)									Wire Range	Q'TY
			D	W	E	L	T	H1	WS	H2	IS	AWG	Q'TY

TOLERANCE		PROJECTION	Description:
0 - 3mm	±0.10	UNITS	mm
3 - 6mm	±0.15	SHEET SIZE	A4
6 - 10mm	±0.20	KLS P/N: KLS8-RRD84XXXX	
10 - 30mm	±0.25	KLS	
Draw: Daniel	ANGLE ±3°	NingBo KLS ELECTRONIC CO.,L TD.	
Check: Daniel	Data: 2019-04-10		

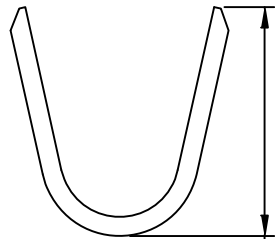




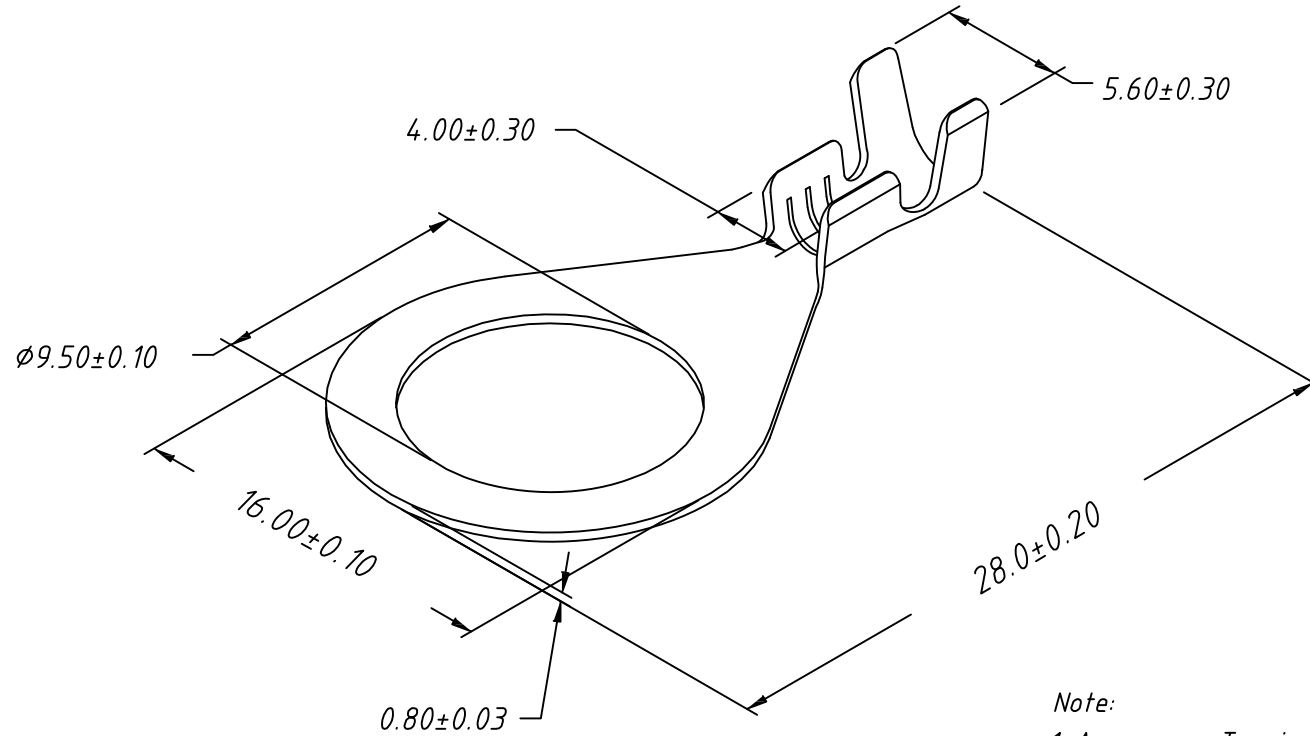
RoHS Compliant



3.50±0.30




5.30±0.30



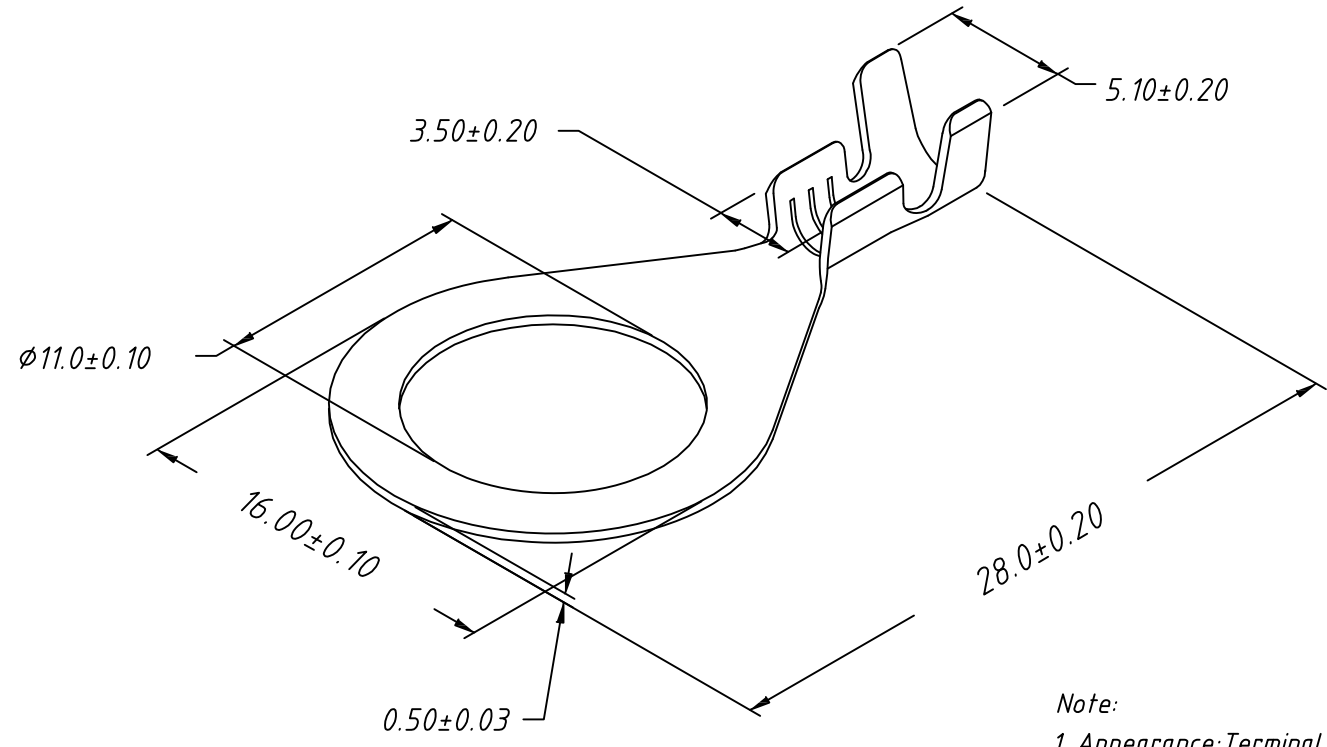
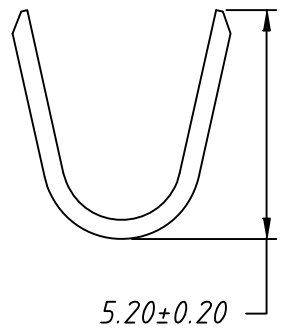
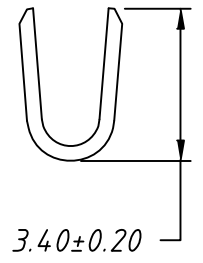
Note:

1. Appearance: Terminal cannot be corrected, scratched or oxidized
2. Material:


Brass C2680, Tin plating

TOLERANCE		PROJECTION	Description:
0 - 3mm	±0.10	UNITS	mm
3 - 6mm	±0.15	SHEET SIZE	A4
6 - 10mm	±0.20	KLS P/N: L-KLS8-RRD950801	
10 - 30mm	±0.25	NingBo KLS ELECTRONIC CO.,L TD.	
Draw: Daniel	ANGLE ±3°		
Check: Daniel	Data: 2019-04-10		

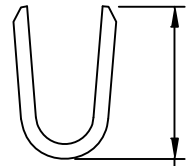
1  
RoHS Compliant



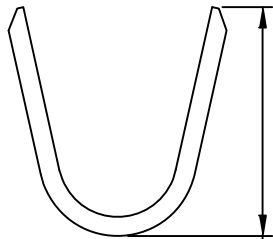
Note:  
 1. Appearance: Terminal cannot be corrected, scratched or oxidized  
 2. Material:  
 Brass C2680, Tin plating

TOLERANCE		PROJECTION	Description:
0 - 3mm	±0.10	UNITS	mm
3 - 6mm	±0.15	SHEET SIZE	A4
6 - 10mm	±0.20	KLS P/N: L-KLS8-RRD110501	
10 - 30mm	±0.25	 NingBo KLS ELECTRONIC CO.,L TD.	
Draw:	Daniel	ANGLE	±3°
Check:	Daniel	Data:	2019-04-10

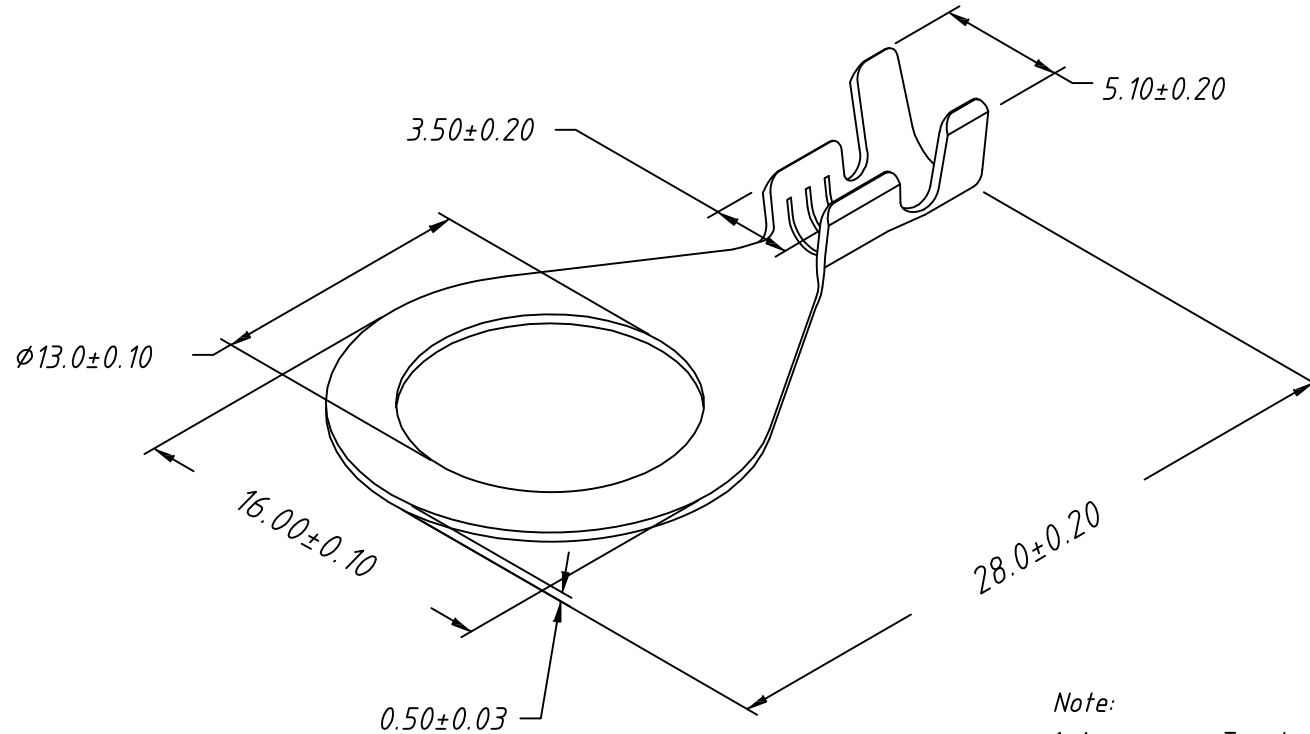
RoHS Compliant



3.40±0.20



5.20±0.20



Note:

1. Appearance: Terminal cannot be corrected, scratched or oxidized
2. Material:

Brass C2680, Tin plating

TOLERANCE		PROJECTION	Description:
0 - 3mm	±0.10	UNITS	mm
3 - 6mm	±0.15	SHEET SIZE	A4
6 - 10mm	±0.20	KLS P/N: L-KLS8-RRD130501	
10 - 30mm	±0.25	KLS NingBo KLS ELECTRONIC CO.,L TD.	
Draw:	Daniel	ANGLE	±3°
Check:	Daniel	Data:	2019-04-10