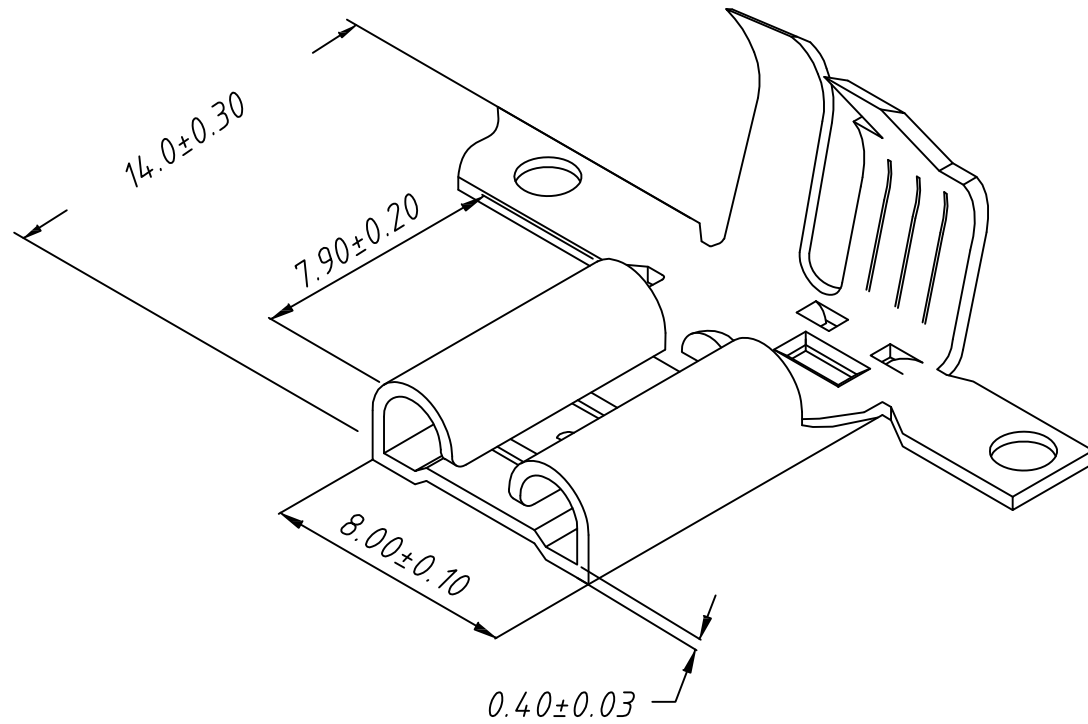



1
RoHS Compliant

Note:

1. Appearance: Terminal cannot be corrected, scratched or oxidized
2. Material:
Brass C2680, T=0.40mm, Tin plating
3. Q'TY: 3000PCS/REEL
4. Connectoin Table: W6.35×T0.80mm
5. Wire Range: 12~14AWG



TOLERANCE		PROJECTION	Description:		
0 - 3mm	± 0.10	UNITS	mm		
3 - 6mm	± 0.15	SHEET SIZE	A4		
6 - 10mm	± 0.20	KLS P/N: KLS8-DFR02-2500800			
10 - 30mm	± 0.25	 NingBo KLS ELECTRONIC CO.,L TD.			
Draw:	Daniel			ANGLE	$\pm 3^\circ$
Check:	Daniel			Data:	2019-04-10