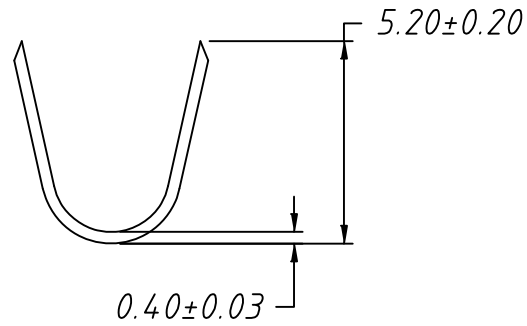
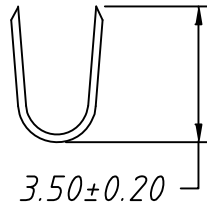


1
RoHS Compliant



Note:

1. Appearance: Terminal cannot be corrected, scratched or oxidized

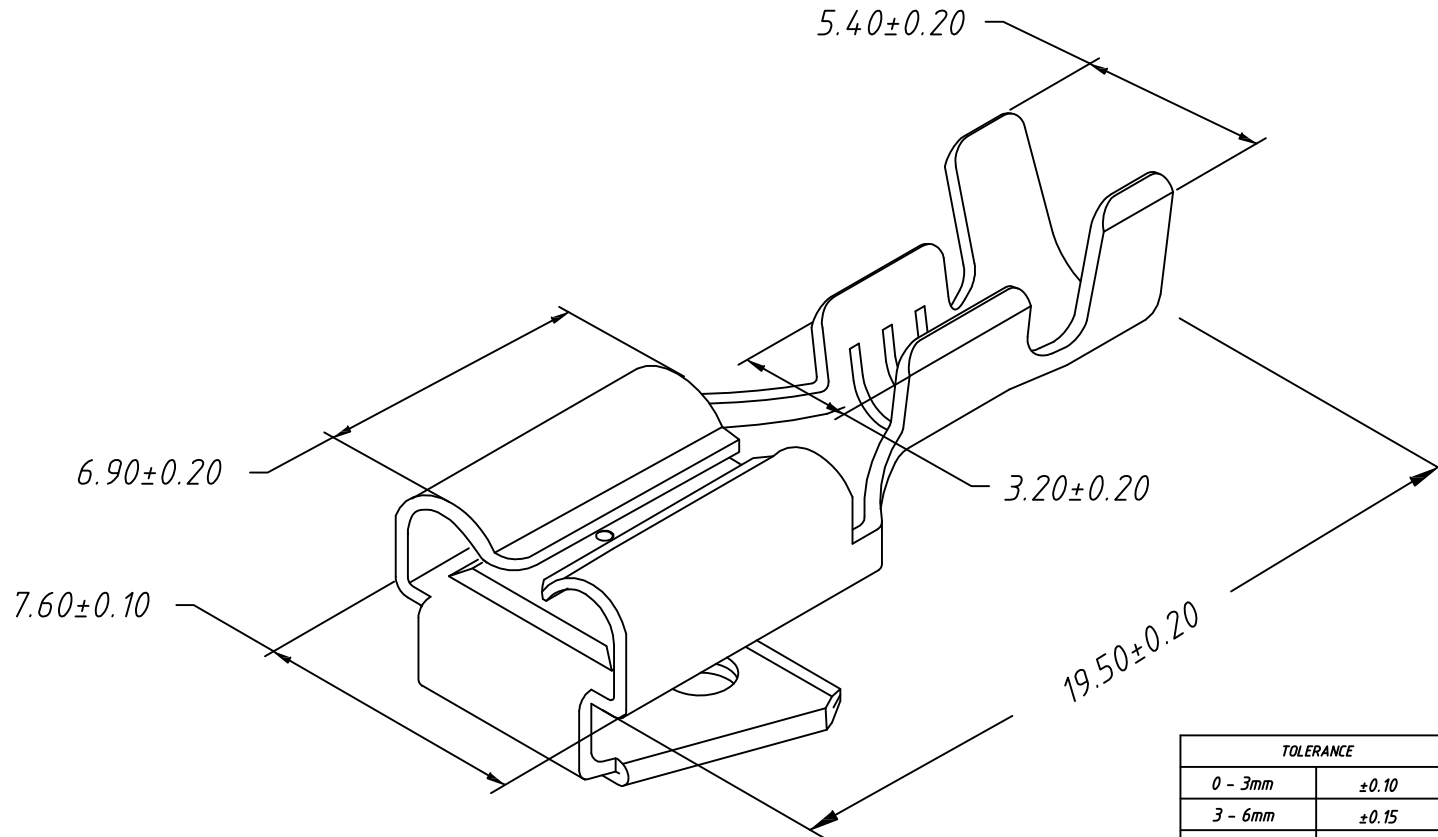
2. Material:

Brass C2680, T=0.40mm, Tin plating

3. Q'TY: 1500PCS/REEL

4. Connectoin Table: W6.35×T0.80mm

5. Wire Range: 16~20AWG



TOLERANCE		PROJECTION	Description:
0 - 3mm	±0.10	UNITS	mm
3 - 6mm	±0.15	SHEET SIZE	A4
6 - 10mm	±0.20	KLS P/N: KLS8-DFM05-2500800	
10 - 30mm	±0.25	KLS ELECTRONIC	
Draw:	Daniel	ANGLE	±3°
Check:	Daniel	Data:	2019-04-10

NingBo KLS ELECTRONIC CO.,L TD.