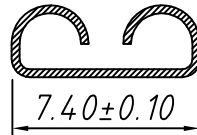
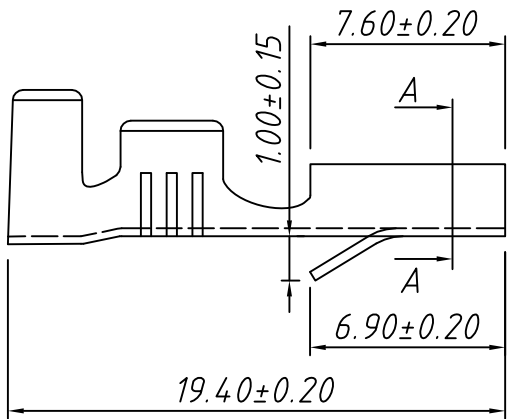
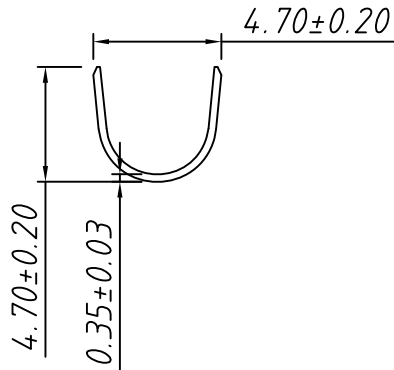
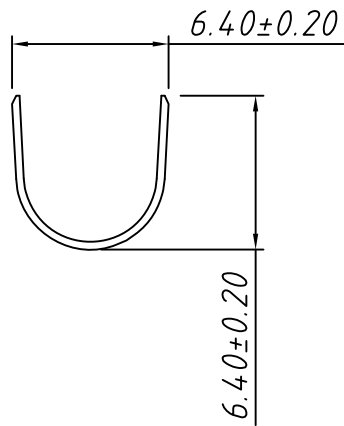
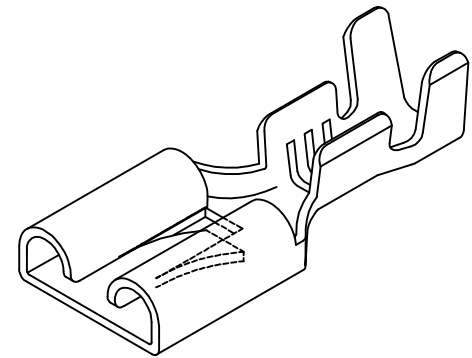



1  
RoHS Compliant



SECTION A-A

- Note:
1. Appearance: Terminal cannot be corrected, scratched or oxidized
  2. Material:  
Brass C2680, T=0.35mm, Tin plating
  3. Q'TY: 5000PCS/REEL
  4. Connectoin Table: W6.35×T0.80mm
  5. Wire Range: 12~14AWG



| TOLERANCE |        | PROJECTION  | Description: |       |            |
|-----------|--------|---|--------------|-------|------------|
| 0 - 3mm   | ±0.10  | UNITS   | mm           |       |            |
| 3 - 6mm   | ±0.15  | SHEET SIZE  | A4           |       |            |
| 6 - 10mm  | ±0.20  | KLS P/N: KLS8-DFT04-2500800   |              |       |            |
| 10 - 30mm | ±0.25  |  NingBo KLS ELECTRONIC CO.,L TD. |              |       |            |
| Draw:     | Daniel |   |              | ANGLE | ±3°        |
| Check:    | Daniel |   |              | Data: | 2019-04-10 |