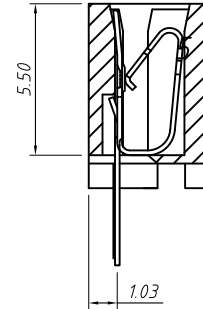
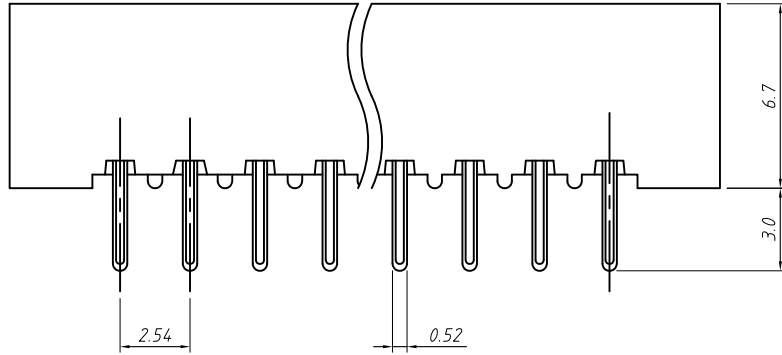


RoHS Compliant

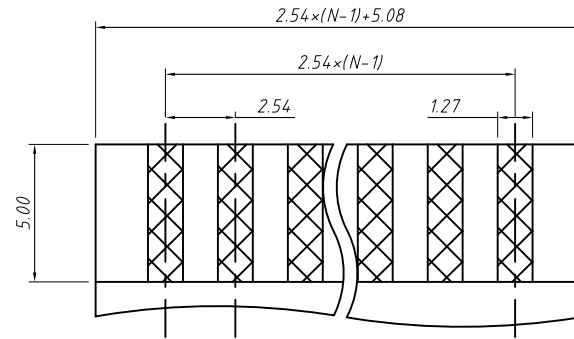
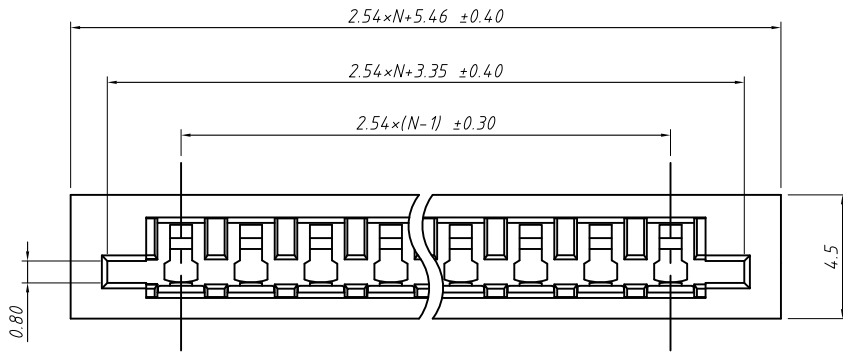
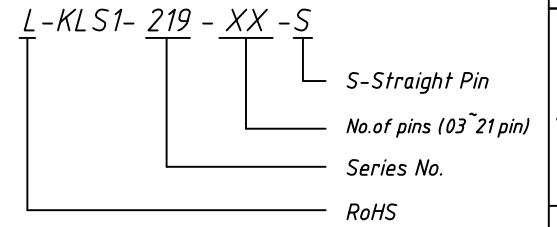


**Material**  
 Insulator: Glass-Reinforced Thermoplastic  
 Contact: Copper Alloy,  
 Tin/Lead Plated Over Nickel

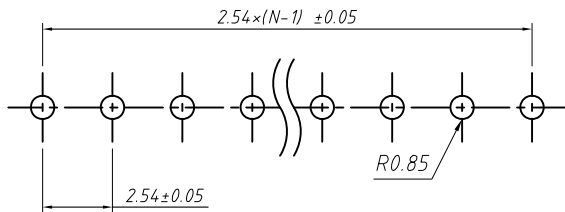
**Electrical**  
 Voltage rating: 250 V  
 Current rating: 1 A  
 Withstanding Voltage: 1000 V  
 Insulation resistance: 5000M $\Omega$ .Min.  
 Contact resistance: 25 m $\Omega$ .max.

**Mechanical**  
 Temp. Range: -40 °C ~ + 105 °C


**Order Information**



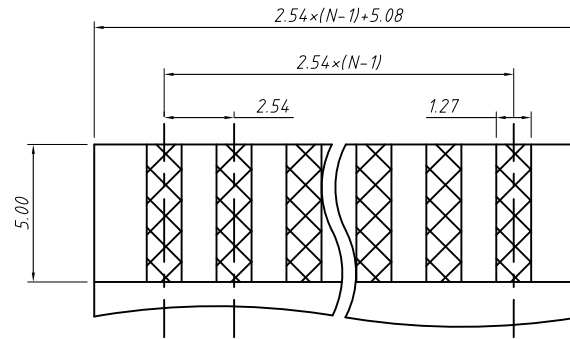
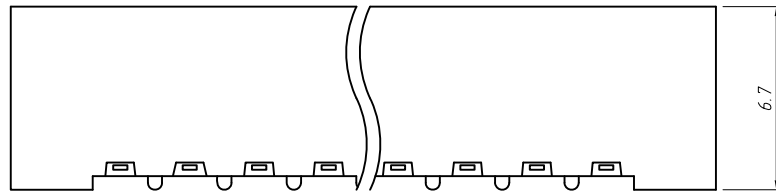
Proper Cable



PCB Layout

GENERAL TOLERANCE		ANGLE TOLERANCE		PROJECTION		Description:	
X	±0.15	X	±5°	UNITS	mm	CONN FFC 2.54mm THR 180° L-KLS1-219-XX-S	
.X	±0.03	.X	±3°	SHEET SIZE	A4		
.XX	±0.05	.XX	±2°	KLS P/N:			
Draw by: Date		2018-03-10		 NingBo KLS ELECTRONIC CO.,LTD.			
Check by: Date		2018-03-10					
SCALE		SHEET		OF			

RoHS Compliant



Proper Cable

**Material**

Insulator: Glass-Reinforced Thermoplastic  
 Contact: Copper Alloy,  
 Tin/Lead Plated Over Nickel

**Electrical**

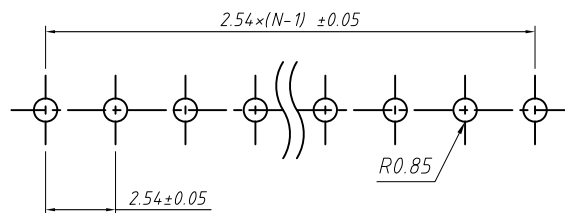
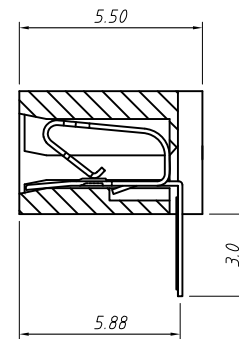
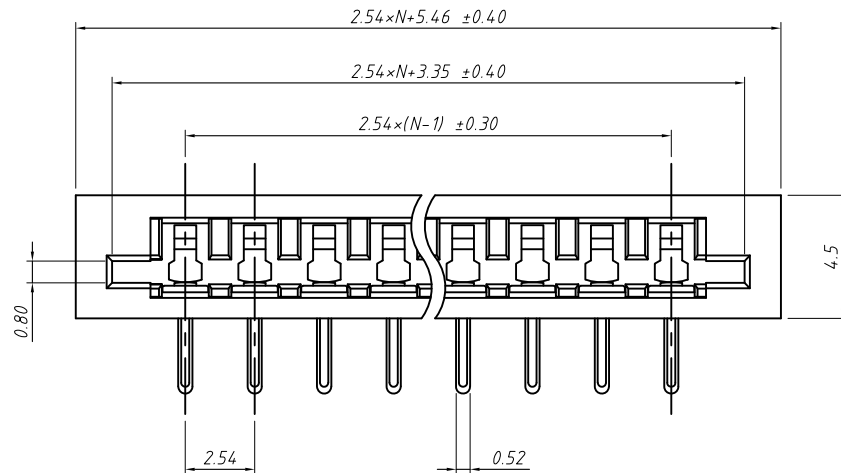
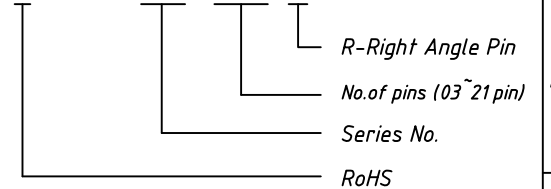
Voltage rating: 250 V  
 Current rating: 1 A  
 Withstanding Voltage: 1000 V  
 Insulation resistance: 5000M $\Omega$ .Min.  
 Contact resistance: 25 m $\Omega$ .max.

**Mechanical**

Temp. Range: -40 °C ~ +105 °C

**Order Information**

L-KLS1- 219 - XX -R



PCB Layout

GENERAL TOLERANCE		ANGLE TOLERANCE		PROJECTION		Description:	
X.	±0.15	X.	±5°	UNITS	mm	CONN FFC 2.54mm THR 90° L-KLS1-219-XX-R	
.X	±0.03	.X	±3°	SHEET SIZE	A4		
.XX	±0.05	.XX	±2°	KLS P/N:			

Draw by: Date	2018-03-10
Check by: Date	2018-03-10
SCALE	SHEET OF



NingBo KLS ELECTRONIC CO.,L TD.