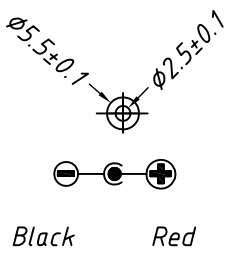
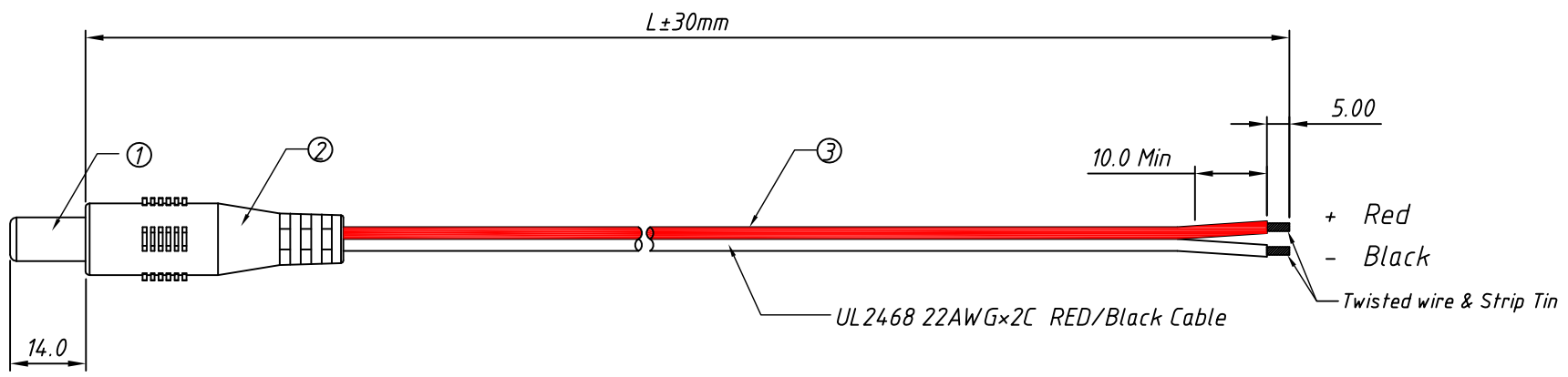


RoHS Compliant



Order Information

L-KLS17-ACP202- 22 T 1000

- L: RoHS
- ACP202: 5.5×2.5×14 DC Male To Tin
- 22: UL2468 22AWG×2C RED/Black Cable
- T: Twisted wire & Strip Tin
- 1000: Length 1000=1000mm
1500=1500mm

Note
 1:Open/Short Text 100% Text.
 2:Text Volts/insulation: DC 5V / 500KΩ
 3: All must be meet on RoHS Compliant

3	Cable	UL2468 22AWG×2C RED/Black Cable	mm	L
2	PVC molding	PVC,BLACK	g	xx
1	Connector	5.5×2.5×14 DC Male PLUG	PCS	1
ITEM	PART NAME	Description	UNIT	Q'TY

		Description:	
		5.5×2.5×14mm To Tin, DC Cable	
PROJECTION		KLS P/N:	L-KLS17-ACP202-22TXXXX
UNITS	mm		
SHEET SIZE	A4		
Draw:Daniel	2018-05-10		NingBo KLS ELECTRONIC CO.,L TD.
Check:Daniel	2018-05-17		