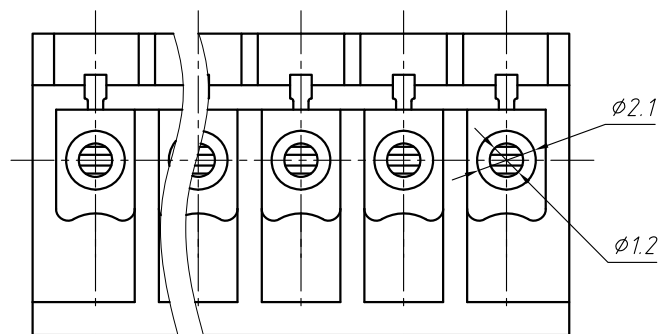


SECTION A-A



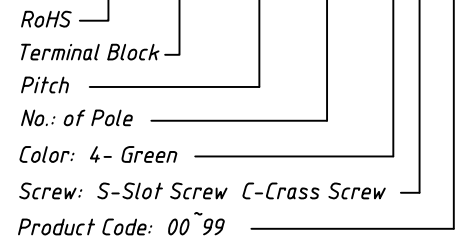
Material
Housing: PA66, UL94V-0
Clamp: Phosphor bronze, Ni Plated
Screws: M2 Steel, Zinc plated
Wire guard: Brass, Ni plated

Electrical
Rated voltage: 300V
Rated current: 8A
Contact Resistance: 20 m Ω
Insulation resistance: 500M Ω /DC500V
Withstand voltage: AC2000V / 1 min
Wire Range: 28 ~ 16AWG 1.5mm²

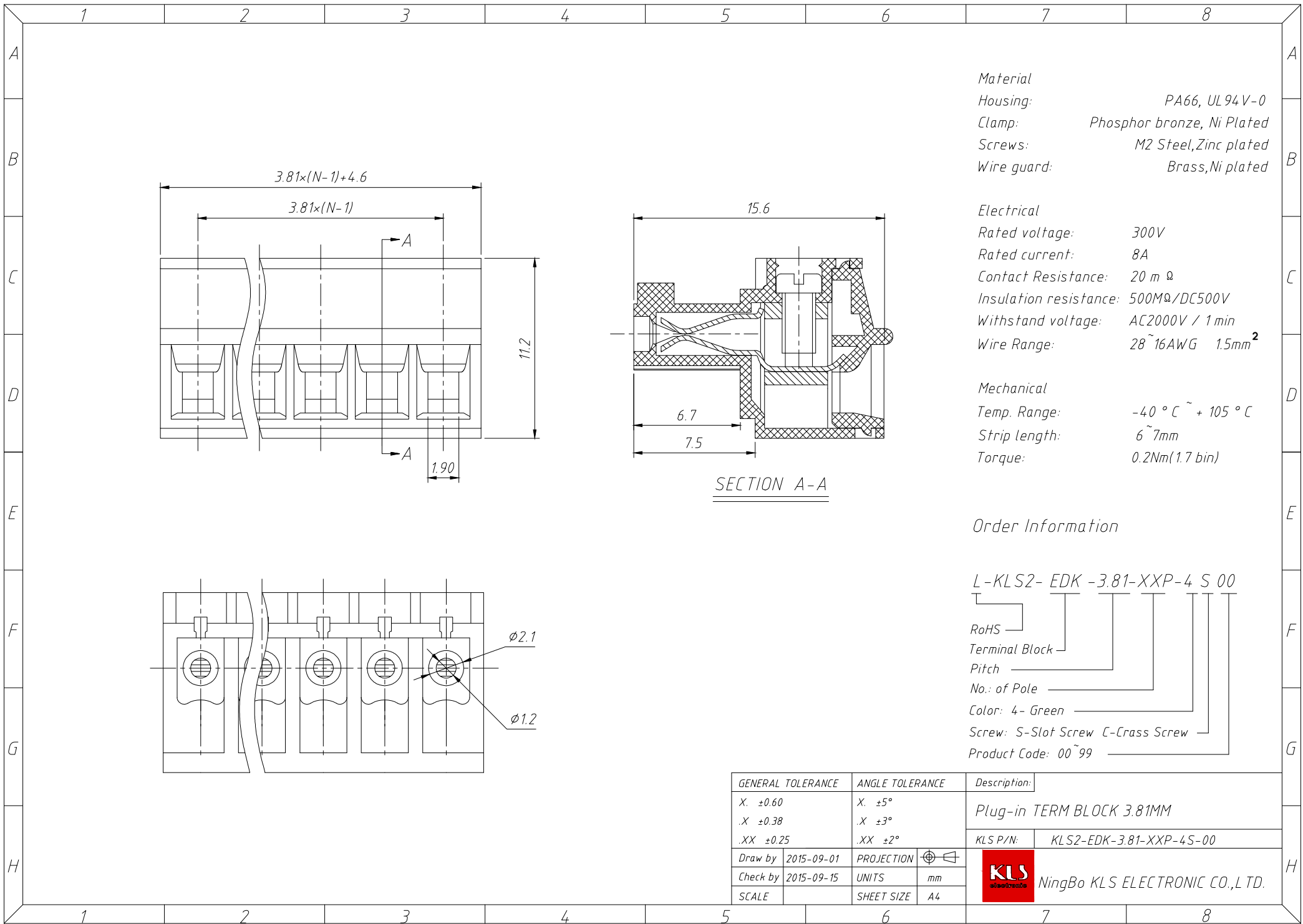
Mechanical
Temp. Range: -40 °C ~ +105 °C
Strip length: 6 ~ 7mm
Torque: 0.2Nm (1.7 bin)

Order Information

L-KLS2-EDK-3.50-XXP-4S00



GENERAL TOLERANCE		ANGLE TOLERANCE		Description:	
X. ±0.60		X. ±5°		Plug-in TERM BLOCK 3.50MM	
.X ±0.38		.X ±3°		KLS P/N:	KLS2-EDK-3.50-XXP-4S-00
.XX ±0.25		.XX ±2°			
Draw by	2015-09-01	PROJECTION			NingBo KLS ELECTRONIC CO.,L TD.
Check by	2015-09-15	UNITS	mm		
SCALE		SHEET SIZE	A4		



Material
Housing: PA66, UL94V-0
Clamp: Phosphor bronze, Ni Plated
Screws: M2 Steel, Zinc plated
Wire guard: Brass, Ni plated

Electrical
Rated voltage: 300V
Rated current: 8A
Contact Resistance: 20 mΩ
Insulation resistance: 500MΩ/DC500V
Withstand voltage: AC2000V / 1min
Wire Range: 28~16AWG 1.5mm²

Mechanical
Temp. Range: -40 °C ~ +105 °C
Strip length: 6~7mm
Torque: 0.2Nm(1.7 bin)

SECTION A-A

Order Information

L-KLS2-EDK-3.81-XXP-4S00

RoHS
Terminal Block
Pitch
No. of Pole
Color: 4- Green
Screw: S-Slot Screw C-Cross Screw
Product Code: 00~99

GENERAL TOLERANCE		ANGLE TOLERANCE		Description:		
X. ±0.60	.X ±0.38	.XX ±0.25		X. ±5°	.X ±3°	Plug-in TERM BLOCK 3.81MM
				.XX ±2°		
Draw by	2015-09-01	PROJECTION		KLS P/N:	KLS2-EDK-3.81-XXP-4S-00	
Check by	2015-09-15	UNITS	mm	NingBo KLS ELECTRONIC CO.,LTD.		
SCALE		SHEET SIZE	A4			