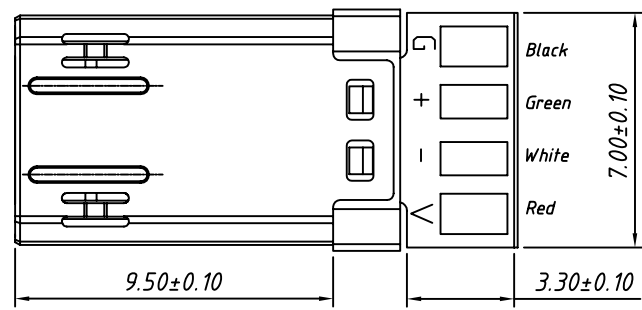


1 2 3 4 5 6 7 8

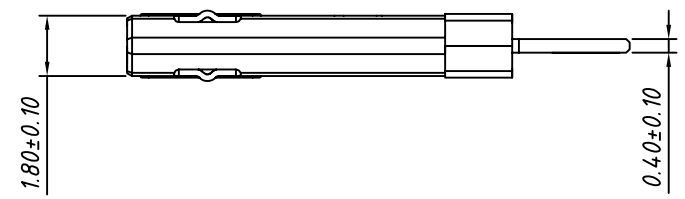
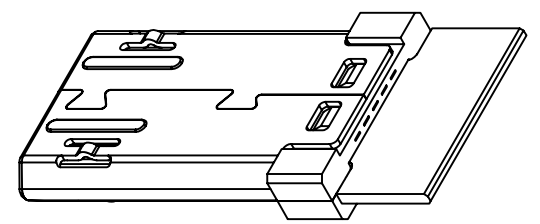
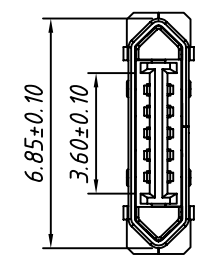
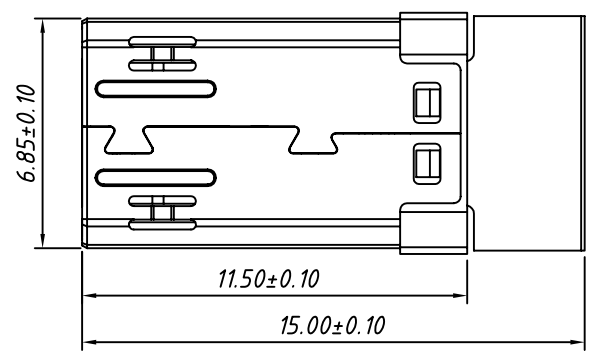
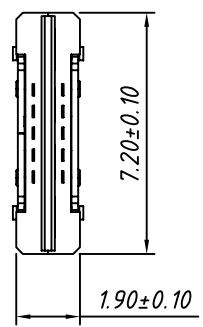
A
B
C
D
E
F
G
H



Material:
 Housing: LCP E130, UL 94V-0 Black
 Contact: Brass 5210.
 Shell: Stainless Steel, $T=0.20 \pm 0.03$ mm.

Plating:
 Contact: Plated Gold Flash For Contact Area.
 Shell: Nickel Over All (salt spray for 24H).
 Shell: Gold Over All (salt spray for 24H).

Electrical:
 Operating Temperature: -20°C TO $+80^{\circ}\text{C}$.
 Product Compliant to the request RoHS



GENERAL TOLERANCE	PROJECTION		Description:
X. ± 0.50	UNITS	mm	CONN PLUG MICRO USB Solder
.X ± 0.25	SCALE	1:1	
.XX ± 0.10	Draw by:	Jenny	
ANGLE TOLERANCE	Check by:		KLS P/N: L-KLS1-235-5
X. $\pm 5^{\circ}$	Date	2018-03-01	NingBo KLS ELECTRONIC CO.,L TD.
.X $\pm 3^{\circ}$	SHEET	1 OF 1	
.XX $\pm 2^{\circ}$			

1 2 3 4 5 6 7 8