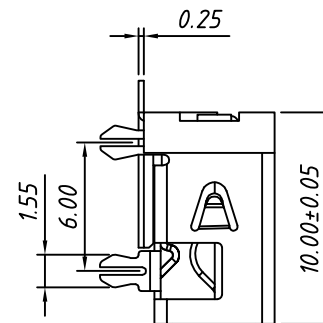
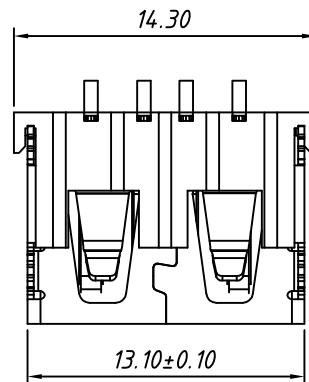
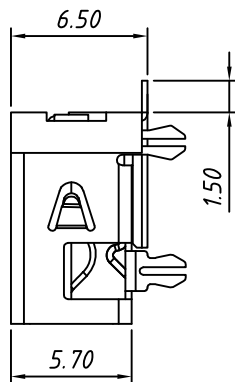
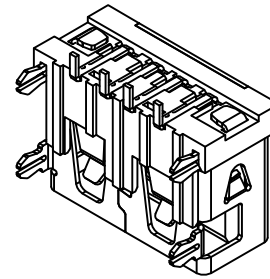
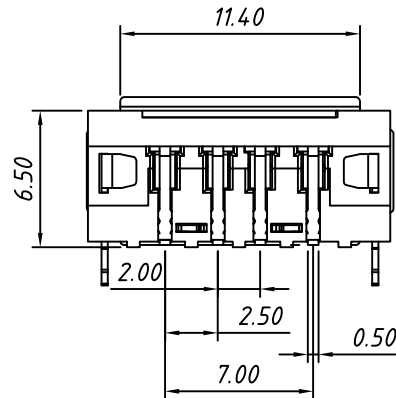


PCB HOLES (THE TOP VIEW) T=0.80mm  
TOLERANCE: ±0.05mm



**Material**  
Housing: High Temperature Thermoplastic,  
UL 94V-0 LCP, Black/White.  
Contact: Copper Alloy C2680.  
Shell: Copper Alloy C2680/SPCC.

**Finish:**  
Contact: Plated Gold In Mating Area;  
Tin On Solder Tails.  
Shell: Nickel Plating.

**Electrical:**  
Current Rating: 1.5A/Contact Terminal.  
Voltage Rating: 30V DC  
Contact Resistance: 30mΩ Max.  
Dielectric Withstanding Voltage:  
500 V AC AT Sea Level.  
Insulation Resistance: 1000MΩ Min.  
Connector Mate and Unmated Force  
Mate Force: 3.75kgf Max.  
Unmated Force: 1.02kgf Min.  
Terminal Retention: 1.2kgf Min.

**Order Information**

L-KLS1- 1182 - B - R

RoHS  
USB 2.0 A Female  
Color: W=WHITE  
B=BLACK  
Packing: P=Tray  
R= Tape on REEL

GENERAL TOLERANCE	PROJECTION		Description:
X. ±0.50	UNITS	mm	CONN COM TYPE A USB Female SMD, L10.0
.X ±0.25	SCALE	1:1	
.XX ±0.10	Draw by:	Jenny	
ANGLE TOLERANCE	Check by:		KLS P/N: L-KLS1-1182-X-X
X. ±5°	Date	2018-03-01	NingBo KLS ELECTRONIC CO., L TD.
.X ±3°	SHEET	1 OF 1	
.XX ±2°			