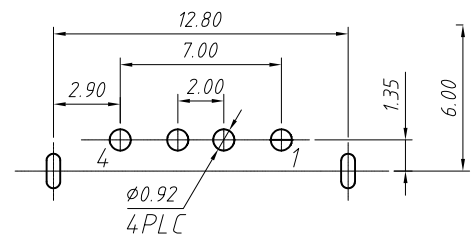
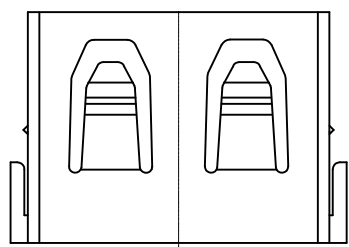
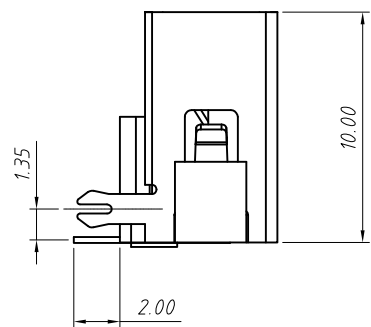
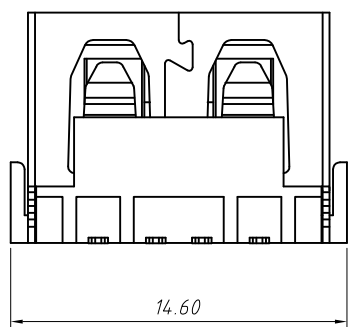
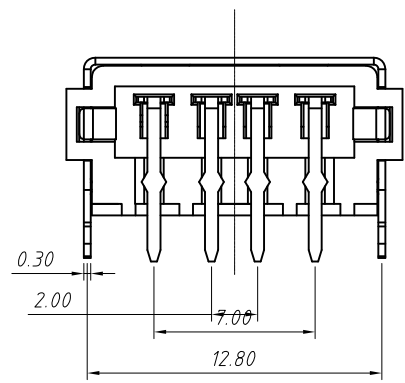


SECTION A-A



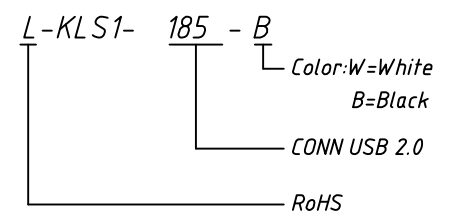
RECOMMENDED PCB LAYOUT
TOLERANCE: ±0.05

Material
 Housing:Hing Temperature Thermoplastic,
 UL 94 V-0 PBT,Black/White.
 Contact:Copper Alloy C2680.
 Shell:Copper Alloy C2680/SPCC.

Finish:
 Contact:Plated Gold In Mating Area;
 Tin On Solder Tails.
 Shell:Nickel Plating.

Electrical:
 Current Rating:1.5A/Contact Terminal.
 Voltage Rating:30V DC
 Contact Resistance:30mΩ Max.
 Dielectric Withstanding Voltage:
 500 V AC AT Sea Level.
 Insulation Resistance:1000MΩ Min.
 Connector Mate and Unmated Force
 Mate Force:3.75kgf Max.
 Unmated Force:1.02kgf Min.
 Terminal Retention:1.2kgf Min.

Order Information



GENERAL TOLERANCE		ANGLE TOLERANCE		PROJECTION		Description:	
X	±0.60	X	±5°	UNITS		CONN COM TYPE A USB Female R/A,L 10.0 L-KLS1-185-X	
.X	±0.38	.X	±3°	SHEET SIZE	A4		
.XX	±0.25	.XX	±2°	KLS P/N:			
Draw by: Date		2018-03-01				NingBo KLS ELECTRONIC CO.,L TD.	
Check by:: Date		2018-03-01					
SCALE		SHEET		OF			