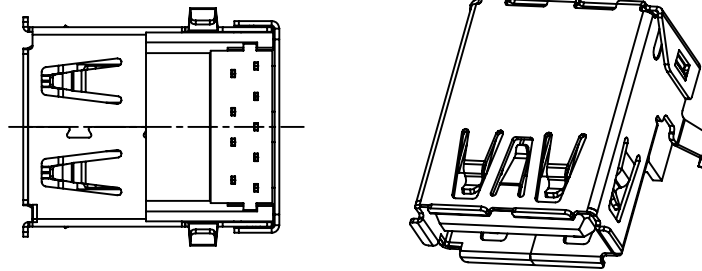
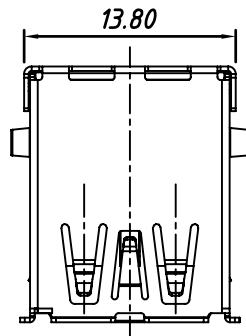


1 RoHS Compliant



Material

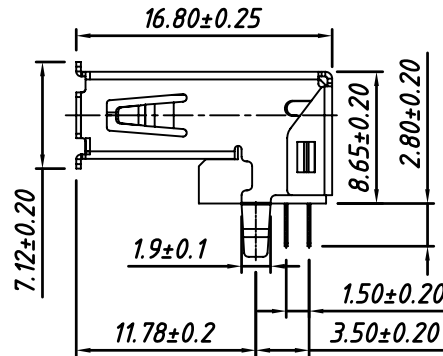
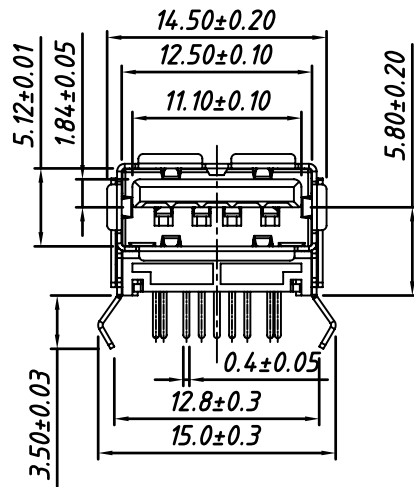
Housing: Thermoplastic, Glass Fiber Filled, UL 94-HB
 Cover: Thermoplastic, Glass Fiber Filled, UL 94 V-0
 Contact: Copper Alloy, Gold.
 Shell: Brass/Spcc, Nickel(Ni) T=0.30MM

Electrical

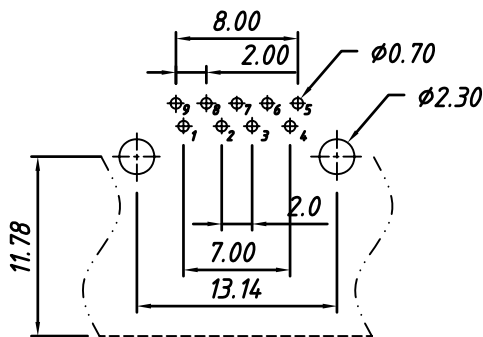
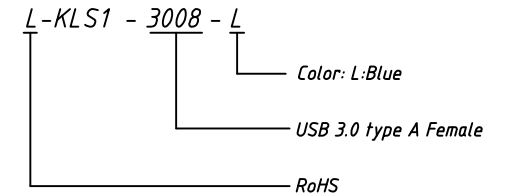
Contact Current Rating: 1.5 A For Pin1&Pin4
 0.25 A Other Contacts.
 Withstanding Voltage: 100vac(Rms)
 Contact Resistance: 30mΩ Max(Initial) For Pin1&Pin4
 50mΩ Max(Initial) For Other Contacts
 Insulation Resistance: 1000MΩ Min

Mechanical

Operating Temperature: -30°C TO +80°C.
 Mating Force: 35N MAX
 Unmating Force: 10N MIN.



Order Information



RECOMMENDED P.C.B LAYOUT
TOLERANCE ±0.05

GENERAL TOLERANCE	PROJECTION		Description:
X. ±0.50	UNITS	mm	USB 3.0
.X ±0.25	SCALE	1:1	Type A Female CONN, R/A H8.65mm
.XX ±0.10	Draw by:	Daniel	KLS P/N: KLS1-3008
ANGLE TOLERANCE	Check by:	Daniel	NingBo KLS ELECTRONIC CO.,L TD.
X. ±5°	Date	2018-03-01	
.X ±3° .XX ±2°	SHEET	1 OF 1	