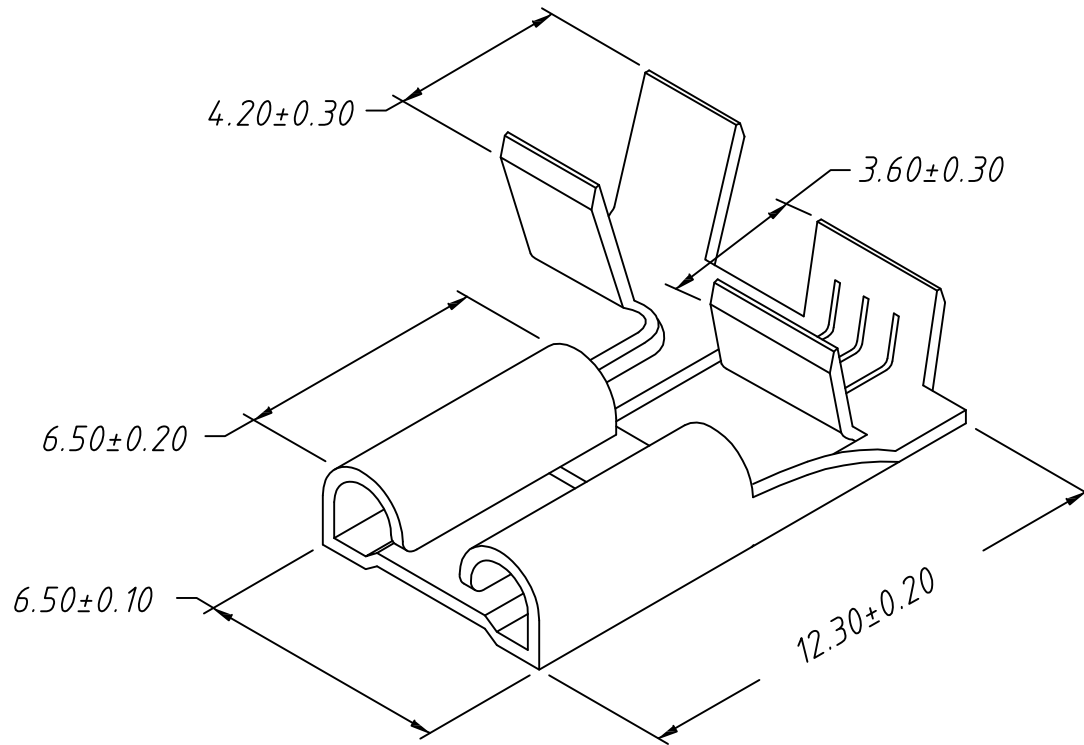


1  
RoHS Compliant



Note:

1. Appearance: Terminal cannot be corrected, scratched or oxidized

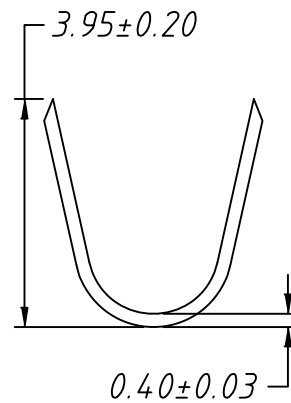
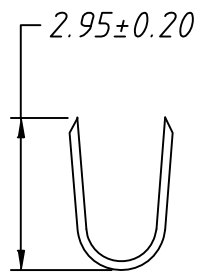
2. Material:

Brass C2680, T=0.40mm, Tin plating


3. Q'TY: 5000PCS/REEL

4. Connectoin Table: See Table

5. Wire Range: 16~20AWG



P/N	Connection Table
L-KLS8-CFR01-2050500	W5.2×T0.5mm
L-KLS8-CFR01-2050800	W5.2×T0.8mm

TOLERANCE		PROJECTION	Description:
0 - 3mm	±0.10	UNITS	205 Type Flag Female TERM. for Cable
3 - 6mm	±0.15	SHEET SIZE	
6 - 10mm	±0.20	KLS P/N: KLS8-CFR01-2050X00	
10 - 30mm	±0.25	 NingBo KLS ELECTRONIC CO.,L TD.	
Draw: Daniel	ANGLE ±3°		
Check: Daniel	Data: 2019-04-10		