

1
RoHS Compliant

Note:

1. Appearance: Terminal cannot be corrected, scratched or oxidized

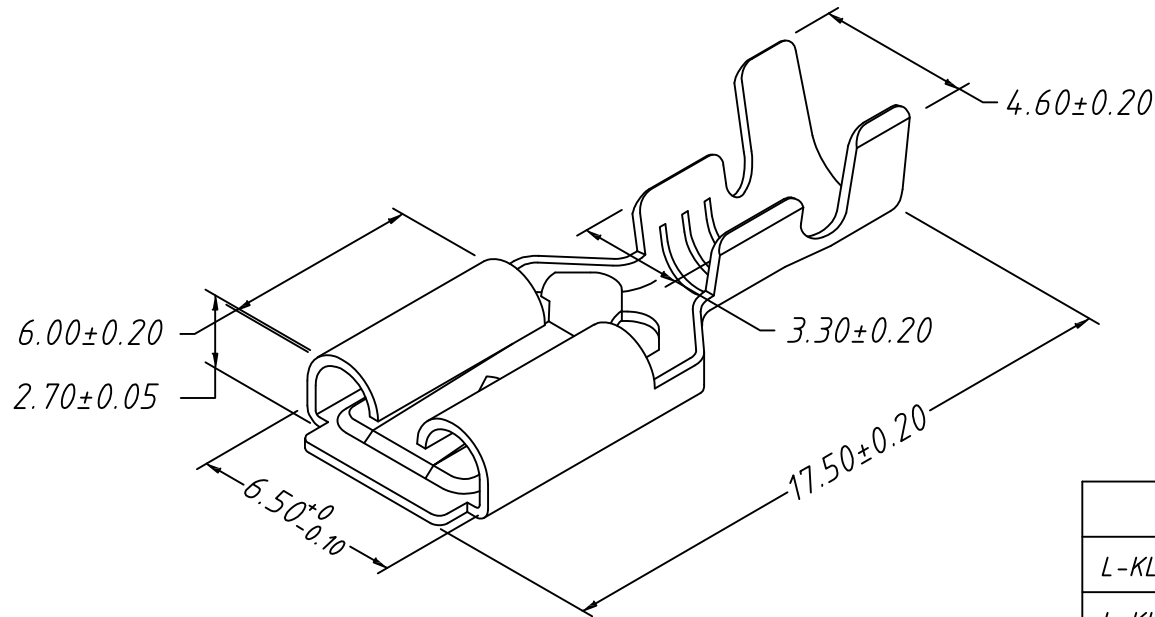
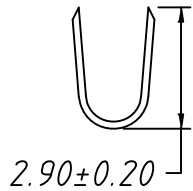
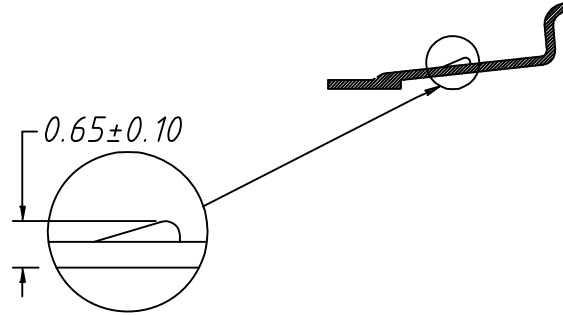
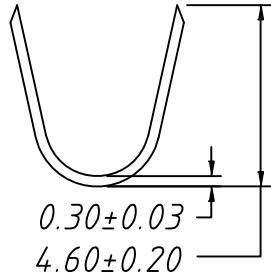
2. Material:

Brass C2680, T=0.30mm, Tin plating


3. Q'TY: 8000PCS/REEL

4. Connectoin Table: See Table

5. Wire Range: 16~18AWG



P/N	Connection Table
L-KLS8-CLS01-2050500	W5.2×T0.5mm
L-KLS8-CLS01-2050800	W5.2×T0.8mm

TOLERANCE		PROJECTION	Description:
0 - 3mm	±0.10	UNITS	205 Type Lock Straight Female TERM.
3 - 6mm	±0.15	SHEET SIZE	
6 - 10mm	±0.20	KLS P/N: KLS8-CLS01-2050X00	
10 - 30mm	±0.25		
Draw: Daniel	ANGLE ±3°	 NingBo KLS ELECTRONIC CO.,L TD.	
Check: Daniel	Data: 2019-04-10		