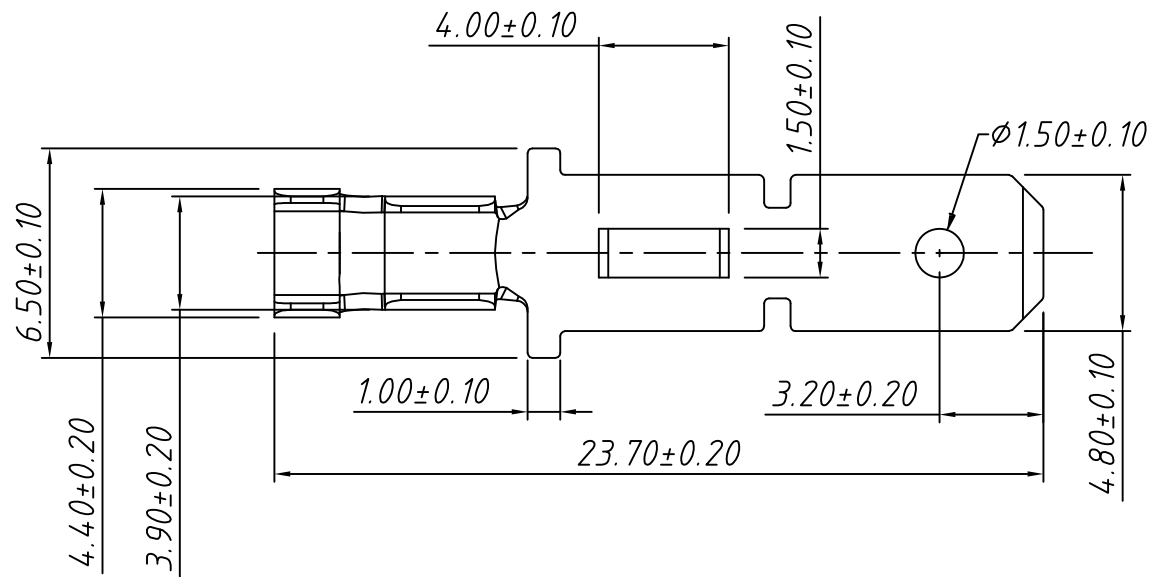
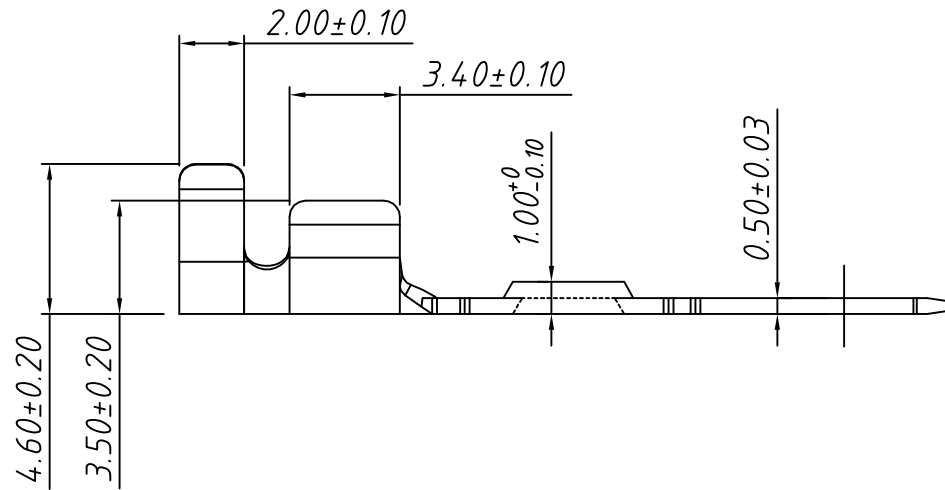


RoHS Compliant



Note:

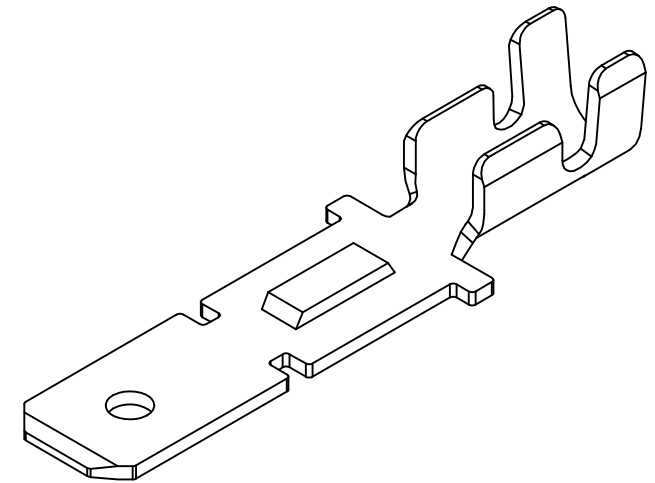
1. Appearance: Terminal cannot be corrected, scratched or oxidized


2. Material:

Brass C2680, T=0.50mm, Tin plating

3. Q'TY: 6000PCS/REEL

4. Wire Range: 20AWG



TOLERANCE		PROJECTION	Description:		
0 - 3mm	$\pm 0.10$	UNITS	mm		
3 - 6mm	$\pm 0.15$	SHEET SIZE	A4		
6 - 10mm	$\pm 0.20$	KLS P/N: KLS8-BMN06-1870500			
10 - 30mm	$\pm 0.25$	 NingBo KLS ELECTRONIC CO.,L TD.			
Draw:	Daniel			ANGLE	$\pm 3^\circ$
Check:	Daniel			Data:	2019-04-10