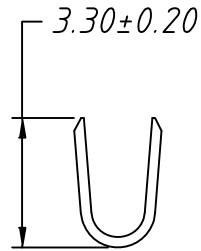
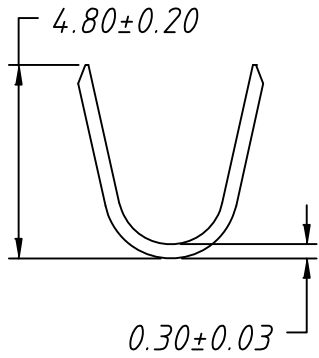
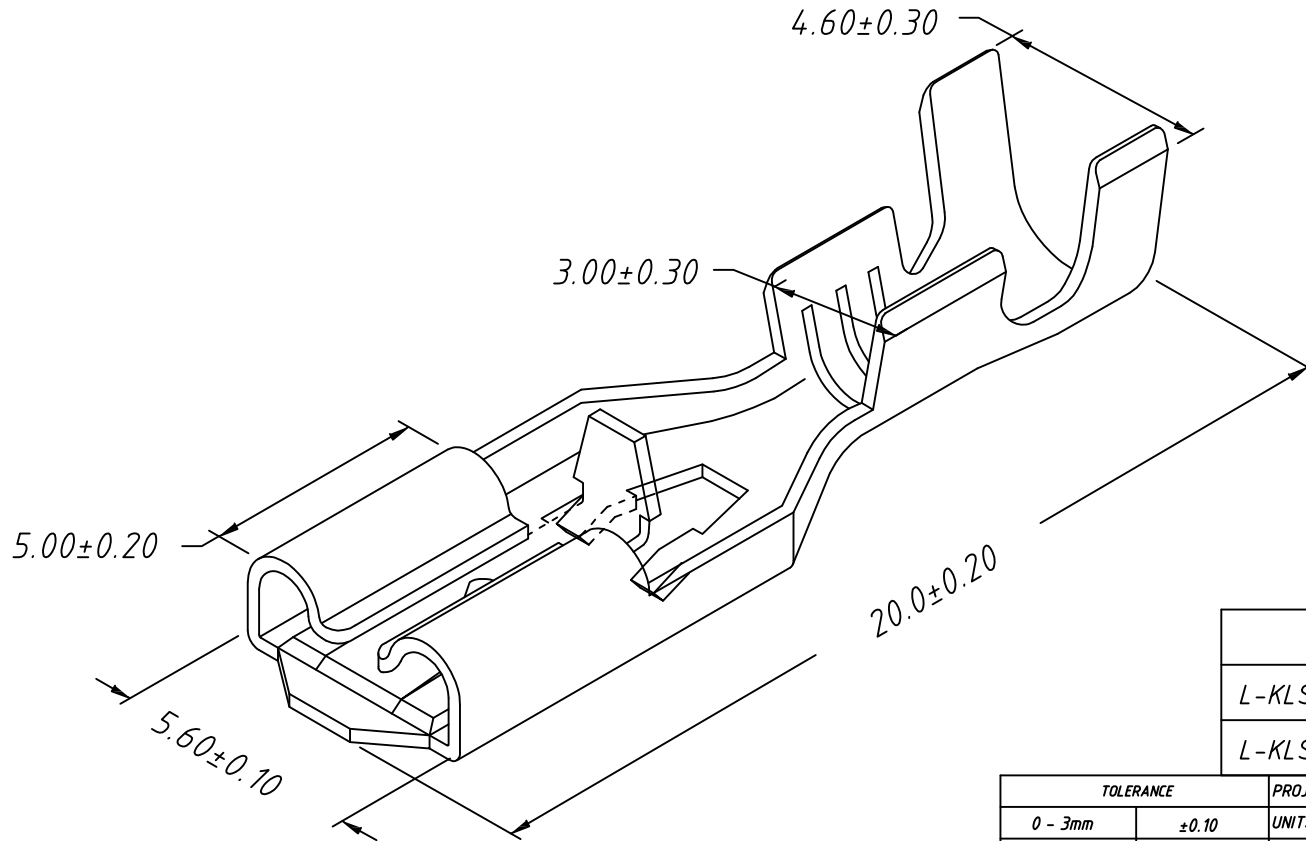


1
RoHS Compliant




Note:

1. Appearance: Terminal cannot be corrected, scratched or oxidized
2. Material: Brass C2680, T=0.30mm, Tin plating
3. Q'TY: 8000PCS/REEL
4. Connectoin Table: See Table
5. Wire Range: 16~20AWG



P/N	Connection Table
L-KLS8-BLS03-1870500	W4.75×T0.5mm
L-KLS8-BLS03-1870800	W4.75×T0.8mm

TOLERANCE		PROJECTION	Description:
0 - 3mm	±0.10	UNITS	mm
3 - 6mm	±0.15	SHEET SIZE	A4
6 - 10mm	±0.20	KLS P/N: KLS8-BLS03-1870X00	
10 - 30mm	±0.25		
Draw: Daniel	ANGLE ±3°	 NingBo KLS ELECTRONIC CO.,L TD.	
Check: Daniel	Data: 2019-04-10		