

1
RoHS Compliant

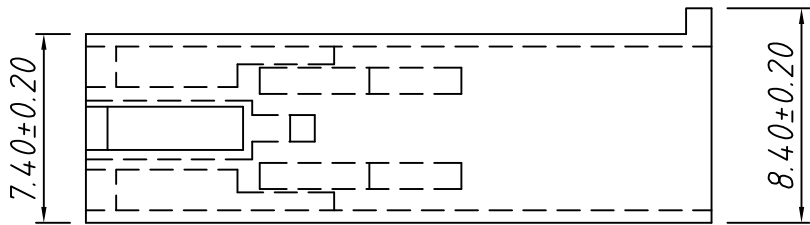
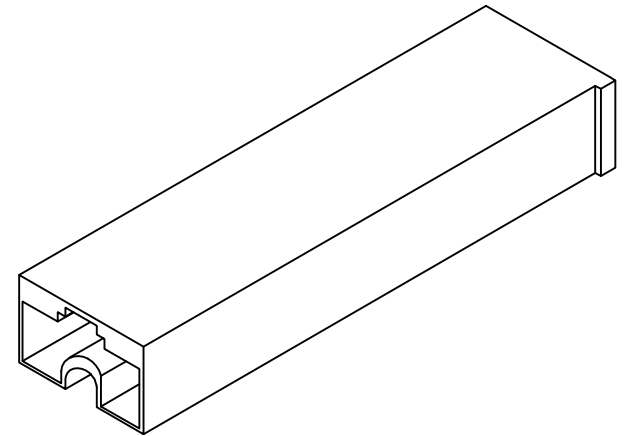
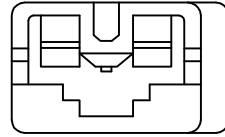
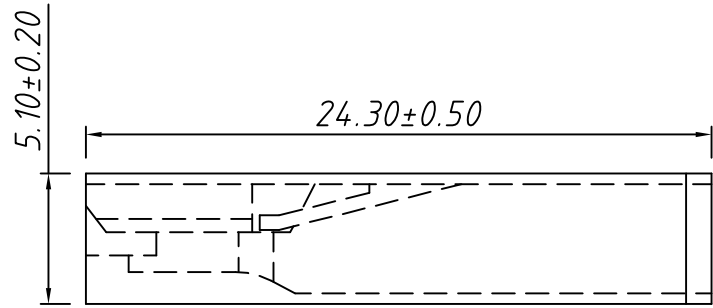
Note:

1. Appearance: Have not impress bubble short of glues; not strange color and impurity.

2. Material:

Nylon UL94V-2, WHITE

3. Q'TY: 2000PCS/BAG



TOLERANCE		PROJECTION	Description:
0 - 3mm	±0.10	UNITS	mm
3 - 6mm	±0.15	SHEET SIZE	A4
6 - 10mm	±0.20	KLS P/N: KLS8-BDR05-1870009	
10 - 30mm	±0.25	KLS NingBo KLS ELECTRONIC CO.,L TD.	
Draw:	Daniel	ANGLE	±3°
Check:	Daniel	Data:	2019-04-10