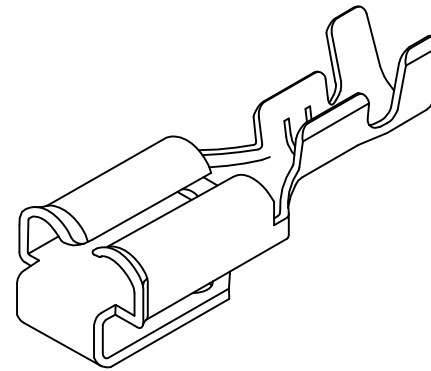
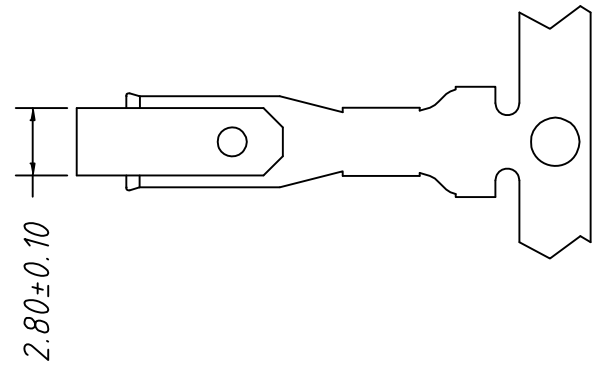
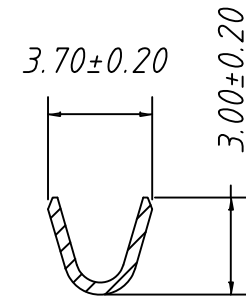
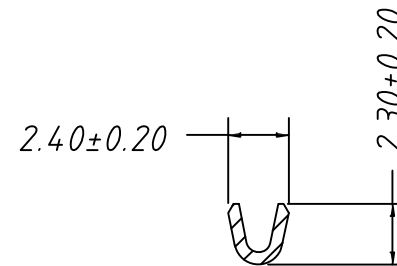
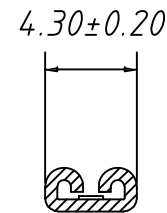
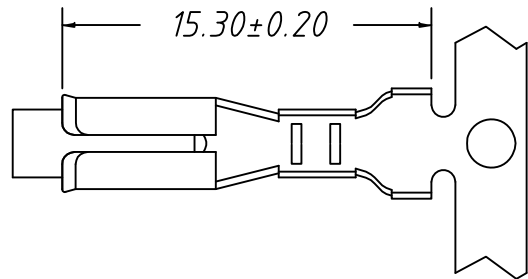


1  
RoHS Compliant



Note:

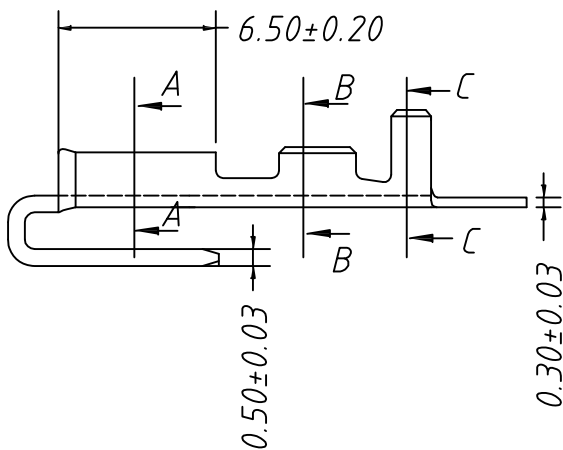
1. Appearance: Terminal cannot be corrected, scratched or oxidized
2. Material: Brass C2680, T=0.30mm, Tin plating
3. Q'TY: 3500PCS/REEL
4. Connectoin Table: W2.8×T0.5mm
5. Wire Range: 18~22AWG




SECTION A-A

SECTION B-B

SECTION C-C



TOLERANCE		PROJECTION	Description:		
0 - 3mm	±0.10	UNITS	mm		
3 - 6mm	±0.15	SHEET SIZE	A4		
6 - 10mm	±0.20	KLS P/N: KLSB-AFM01-1100500			
10 - 30mm	±0.25	 NingBo KLS ELECTRONIC CO.,L TD.			
Draw:	Daniel			ANGLE	±3°
Check:	Daniel			Data:	2019-04-10