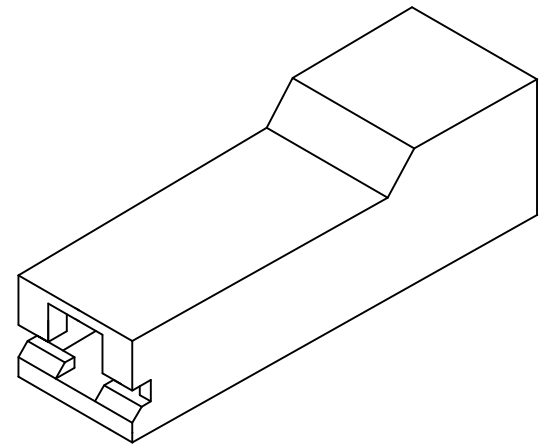
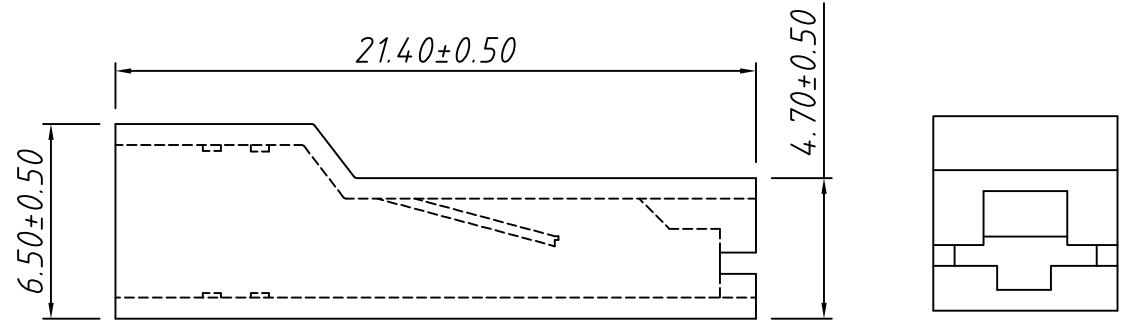
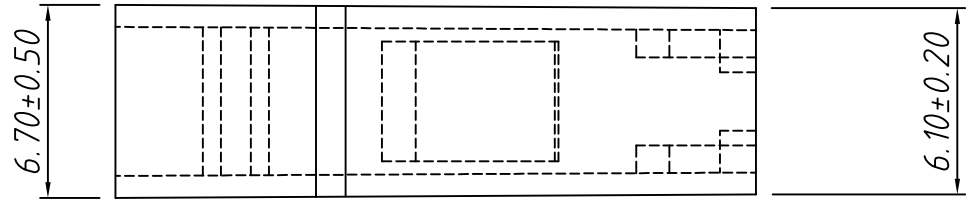



1
RoHS Compliant



Note:
 1. Appearance: Have not impress bubble short of glues; not strange color and impurity.
 2. Material: Nylon UL94V-0, WHITE
 3. Q'TY: 2000PCS/BAG



TOLERANCE		PROJECTION	Description:		
0 - 3mm	±0.10	UNITS	mm		
3 - 6mm	±0.15	SHEET SIZE	A4		
6 - 10mm	±0.20	KLS P/N: KLSB-ADR02-1100009			
10 - 30mm	±0.25	 NingBo KLS ELECTRONIC CO.,L TD.			
Draw:	Daniel			ANGLE	±3°
Check:	Daniel			Data:	2019-04-10