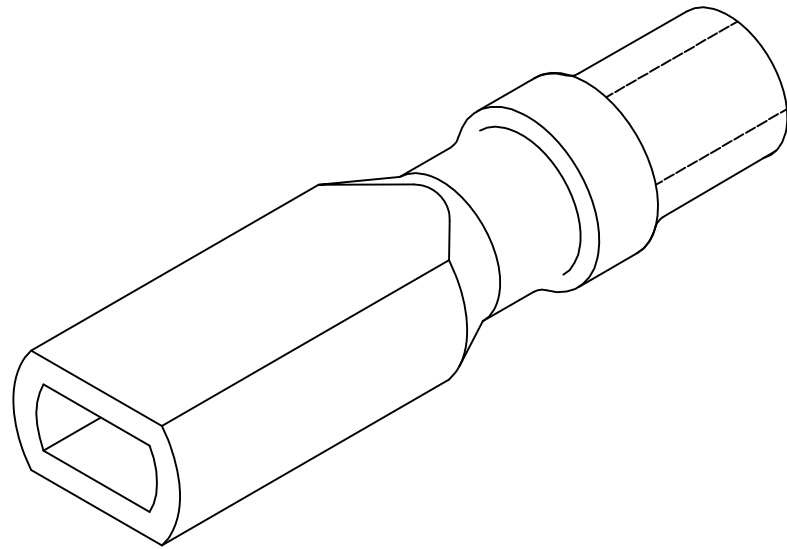
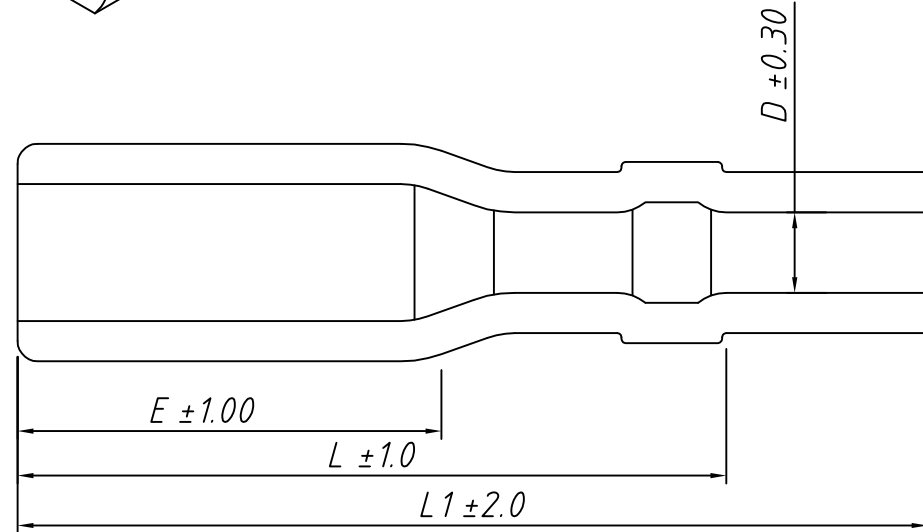
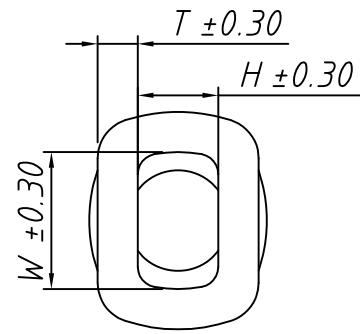



1  
RoHS Compliant



Note:  
 1. Appearance: Have not impress bubble short of glues; not strange color and impurity.  
 2. Material: PVC UL94V-0, Transparent  
 3. Q'TY: 2000PCS/BAG



P/N	Dimension(mm)							
	W	W1	E	E1	L	L1	D	H
L-KLS8-ADR01-1102506	3.8		11.0		17.0	21.5	2.5	2.0
L-KLS8-ADR01-1103006	3.8		11.0		17.0	21.5	3.0	2.0

TOLERANCE		PROJECTION	Description:
0 - 3mm	±0.10	UNITS	mm
3 - 6mm	±0.15	SHEET SIZE	A4
6 - 10mm	±0.20	KLS P/N: <b>KLS8-ADR01</b>	
10 - 30mm	±0.25	Description: <b>110 Type PVC SLEEVE, for Cable Terminal</b>	
Draw: Daniel	ANGLE ±3°	 NingBo KLS ELECTRONIC CO.,L TD.	
Check: Daniel	Data: 2019-04-10		