

1
RoHS Compliance

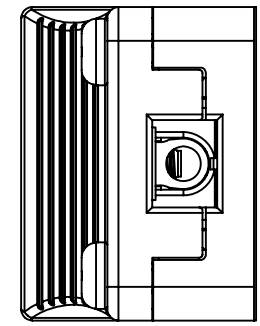
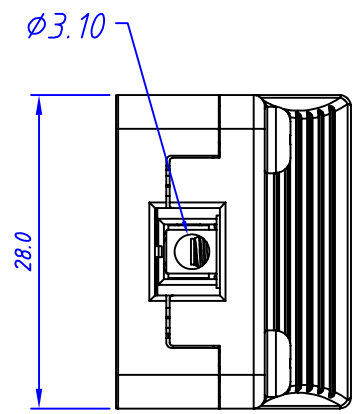
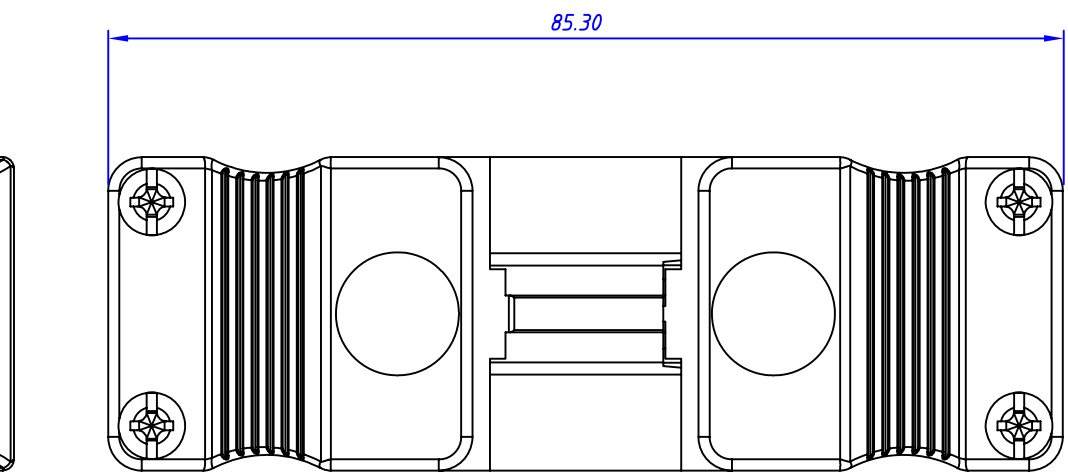
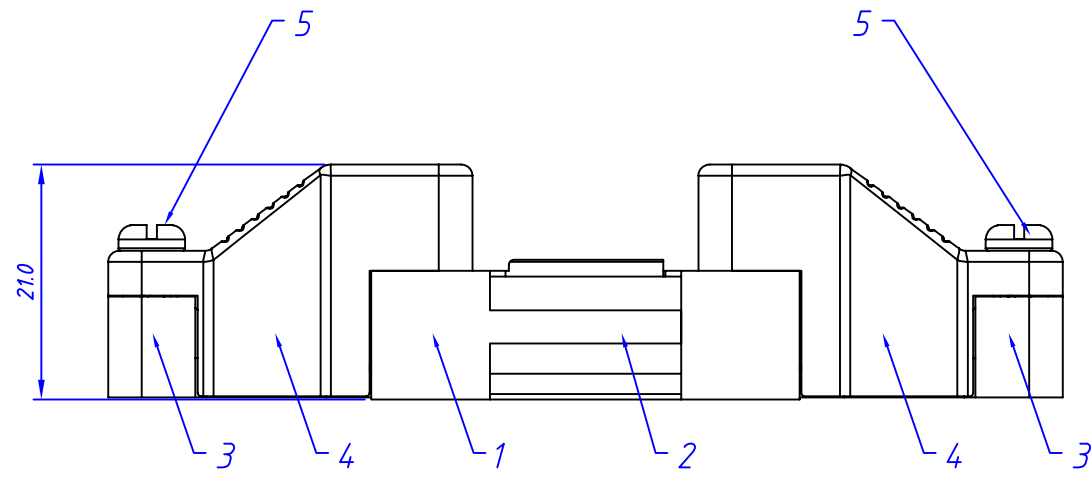
Electrical :
 Rated Voltage: 250V(IEC/EN) / 600V(UL)
 Rated Current: 16A IEC/EN
 Cross Section(IEC EN/UL)
 Solid conductor: 0.75-1.5mm² / 16-18AWG
 Stranded conductor: 0.75-1.5mm² / 16-18AWG
 Flexible conductor: 0.75-1.5mm² / 16-18AWG

Materials
 Insulation Materials: Polyamide 66,Black,UL 94V-2
 Contact: Brass,Nickel Plated
 Screw: M3, SteelZinc Plated


Number of poles: 3 or 4 or 5 poles
 Strip length : 7mm
 Protection Degree: IP30
 Operating Temperature: 90°C

ORDER INFORMATION

L-KLS2- 3239 - 03P XXX
 Parts code:
 Poles: 3/4/5 Poles
 Pluggable Connectors Type
 RoHS



5	M3 Screw	PC05	PCS	4
4	Top cover	PC04	PCS	2
3	Bottom cover	PC03	PCS	2
2	Female plug Terminal	PC02	PCS	1
1	Male plug Terminal	PC01	PCS	1
ITEM	PART NAME	Part's CODE	UNIT	Q'TY

GENERAL TOLERANCE		ANGLE TOLERANCE	PROJECTION	Description: Pluggable Connectors
X. ±0.60	UNITS		mm	
.X ±0.38	SHEET SIZE	±2°	A4	
.XX ±0.25			KLS P/N:	L-KLS2-3239-XXP
Draw: Daniel	2018-08-27	 NingBo KLS ELECTRONIC CO.,L TD.		
Check: Daniel	2018-08-27			
SCALE	SHEET			