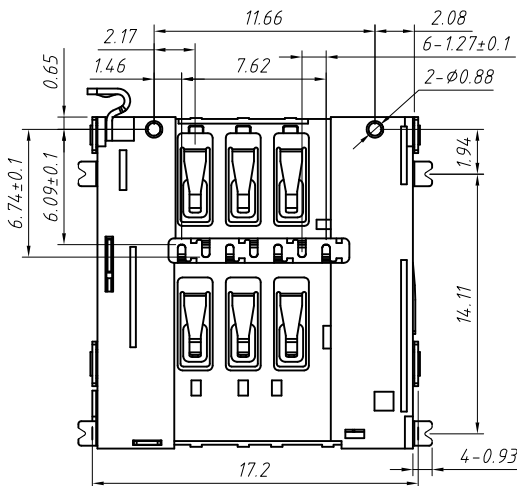
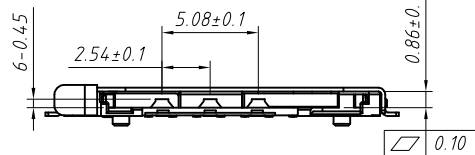
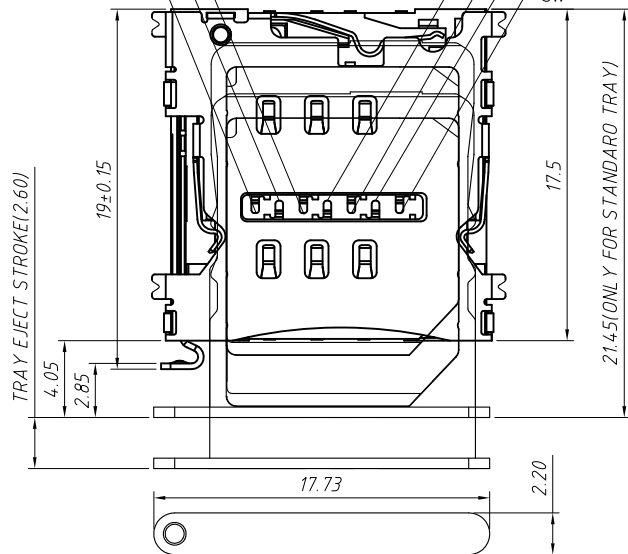
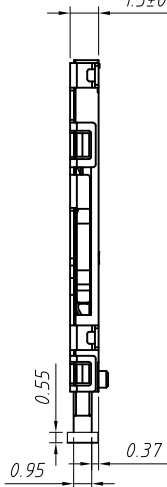


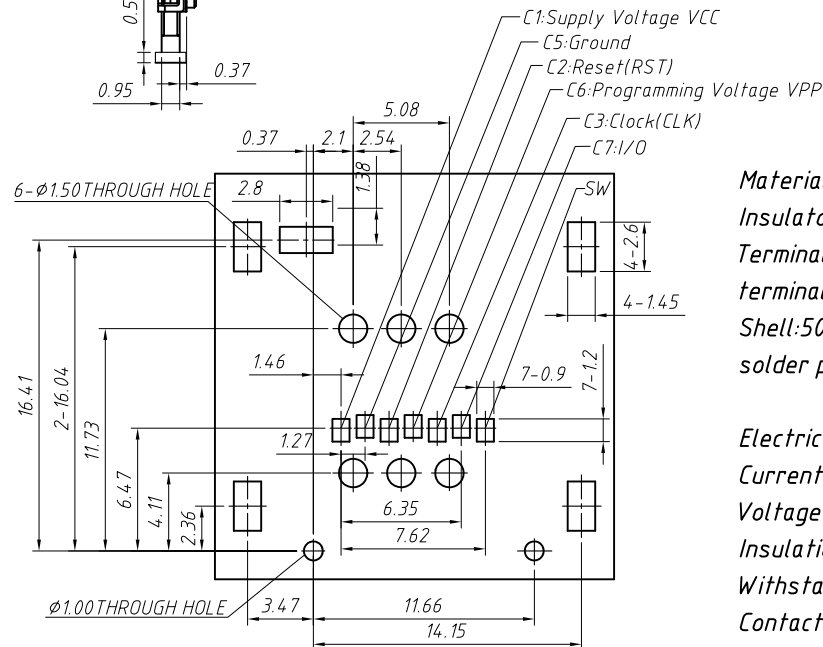
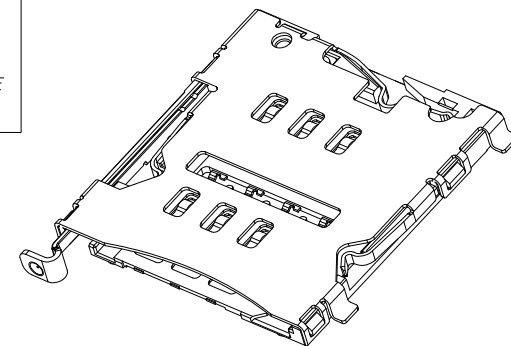
C2:Reset(rst)
C5:Ground
C1:Supply Voltage VCC
C6:Programming Voltage VPP
C3:Clock(CLK)
C7:I/O
SW



1.5±0.05



Circuit Diagram



PCB LAYOUT


TOL:±0.05

Material:

Insulator:Hi-- Temperature Plastic,UL 94 V-0,Black.
Terminal:Copper Alloy.Gold Flash Plating on all terminal,Aad 50u" min Nickel Underplated on allover.
Shell:50u" Nickel Underplated on allover,Gold flash on solder pad.

Electrical:

Current Rating:0.5A
Voltage Rating Voltage:5.0 vrms
Insulation Resistance:1000MΩ Min./500V DC
Withstanding Voltage:250V ACrms For 1Minute
Contact Resistance:100mΩ Max.AT 10mA/20mV max.
Operating Temp.Range:-40oC~+85oC
Mating Cycles:5000 Insertions

GENERAL TOLERANCE		ANGLE TOLERANCE		PROJECTION	Description:
X	±0.15	X	±5°	UNITS	mm
.X	±0.03	.X	±3°	SHEET SIZE	A4
.XX	±0.05	.XX	±2°	KLS P/N:	L-KLS1-SIM-075-6P-H1.5-R
Draw by:	Jenny	Date:	2018-03-10	 NingBo KLS ELECTRONIC CO.,L TD.	
Check by:		Date:	2018-03-10		
SCALE		SHEET	1 OF 1		