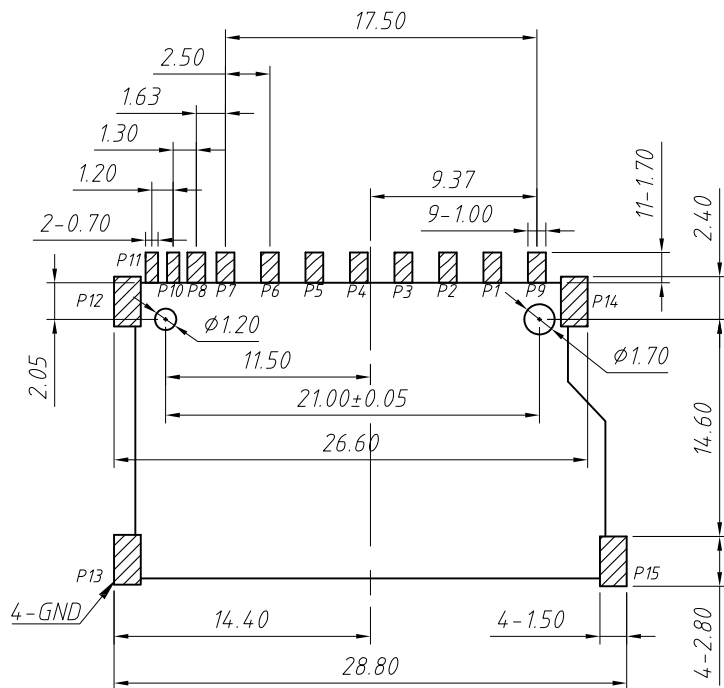


WITHOUT ACARD		CARD INSERTED:LOCK		CARD INSERTED:UNLOCK	
W/P	GND	W/P	GND	W/P	GND
C/D	VSS1	C/D	VSS1	C/D	VSS1

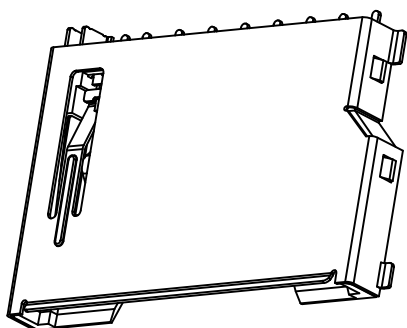
GENERAL TOLERANCE	ANGLE TOLERANCE	PROJECTION	
X. ±0.15	X. ±5°	UNITS	mm
.X ±0.03	.X ±3°	SHEET SIZE	A4
.XX ±0.05	.XX ±2°	KLS P/N:	
Draw by: Jenny	Date: 2018-03-10		
Check by:	Date: 2018-03-10		
SCALE	SHEET 1 OF 1		

SD Card CONN,PUSH/PULL,
H2.85mm,SMD with CD Pin
L-KLS1-SD002
NingBo KLS ELECTRONIC CO.,LTD.



RECOMMEND PCB LAYOUT

TOLERANCE: ±0.05



PIN NO.	NAME
1	CD/DAT3
2	CND
3	VSS1
4	VDD
5	CLK
6	VSS2
7	DAT0
8	DAT1
9	DAT2
10	CD
11	WO
12~15	GND

Material:

Housing: LCP, UL 94 V-0, Black.

Terminal: C5191R-EH T=0.20, Contact G/F, Ni 40u" min, Soldering Tin 80u

WP Pin: C5191R-EH T=0.20, Contact G/F, Ni 40u" min, Soldering Tin 80u

CD Pin: C5191R-EH T=0.20, Contact G/F, Ni 40u" min, Soldering Tin 80u

Shell: C2680-H, T=0.20, NI 40u" min.

Electrical:

Contact Current Rating: 0.5 Amperes.

Dielectric Withstanding Voltage: AC500V rms.

Insulation Resistance: 1000MΩ Min.

Contact Resistance: 100mΩ Max.

Operating Temperature: -20°C TO +85°C

Mating Cycles: 10000 Cycles.

Contact Insertion force: 1.00KGF Maximum.

Contact separation force: 0.15KGF Maximum.

GENERAL TOLERANCE	ANGLE TOLERANCE	PROJECTION		SD Card CONN, PUSH/PULL, H2.85mm, SMD with CD Pin
X. ±0.15	X. ±5°	UNITS	mm	
.X ±0.03	.X ±3°	SHEET SIZE	A4	
.XX ±0.05	.XX ±2°		KLS P/N:	L-KLS1-SD002
Draw by: Jenny	Date:	2018-03-10		NingBo KLS ELECTRONIC CO., L TD.
Check by:	Date:	2018-03-10		
SCALE	SHEET 1 OF 1			