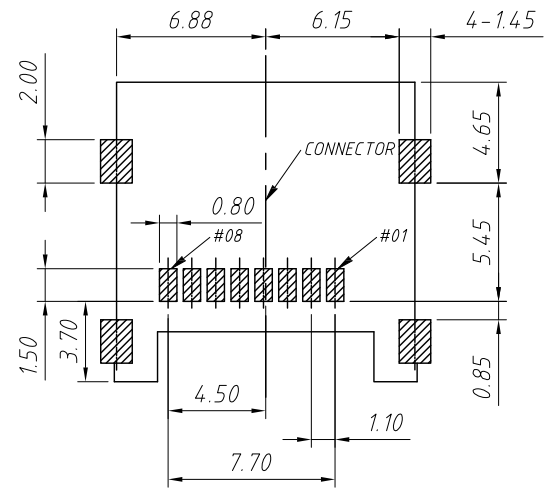
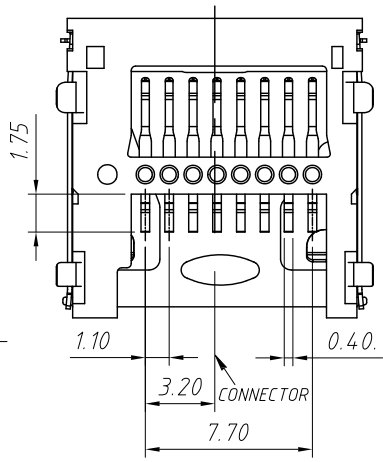
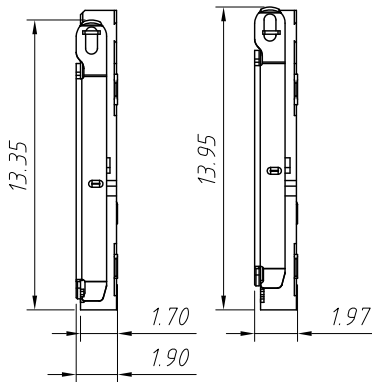
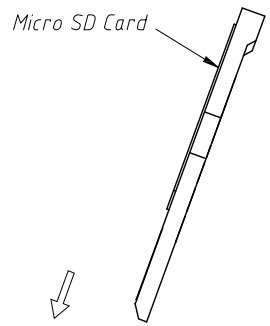
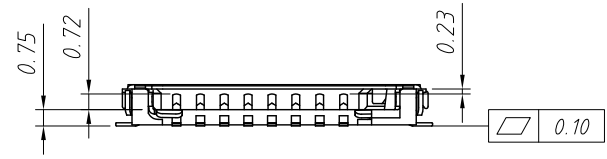


SLIDE SHELL LOCK SLIDE SHELL OPEN

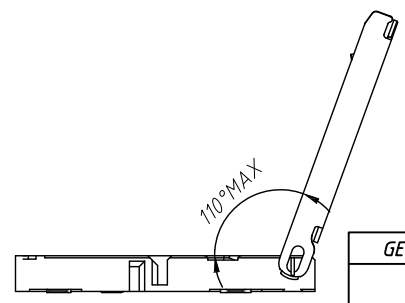
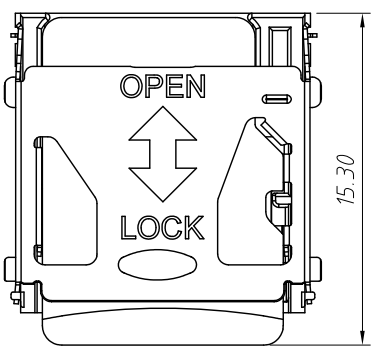


RECOMMENDED PCB LAYOUT  
TOLERANCE: ±0.05  
SOLDER AREA



**Material:**  
 Insulator: High Temperature Thermoplastic  
 Flammability Rating: UL 94V-0, Black.  
 Contact: Copper Alloys  
 Cover: Stainless Steel  
 Contact Area Plating: Gold over Ni  
 Solder Tail Coplanarity Must Be Within 0.10MAX.

PIN NO.	NAME
#01	DAT2
#02	CD/DAT3
#03	CMD
#04	VDD
#05	CLK
#06	VSS
#07	DAT0
#08	DAT1



GENERAL TOLERANCE		ANGLE TOLERANCE		PROJECTION		Description:	
X	±0.15	X	±5°	UNITS	mm	Micro SD Card CONN;HINGED TYPE,H1.9mm	
.X	±0.03	.X	±3°	SHEET SIZE	A4		
.XX	±0.05	.XX	±2°	KLS P/N:			
L-KLS1-TF-017-H1.9-R							

Draw by: Jenny Date: 2018-03-10  
 Check by: Date: 2018-03-10  
 SCALE SHEET 1 OF 1

**KLS** NingBo KLS ELECTRONIC CO.,LTD.