
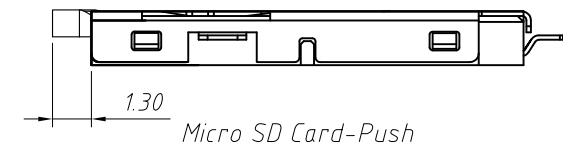
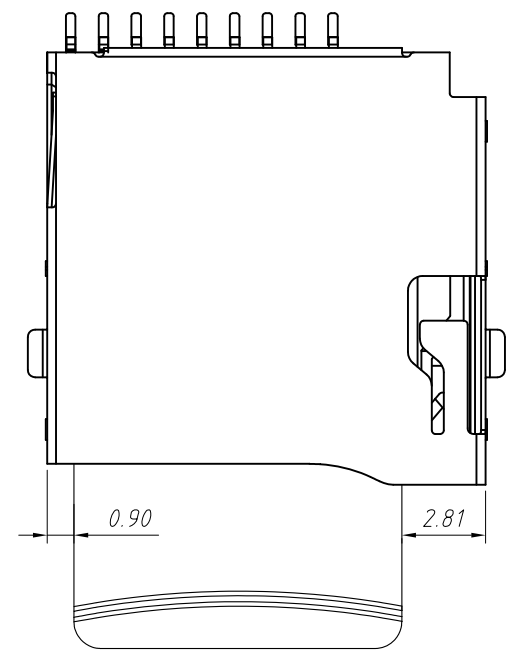
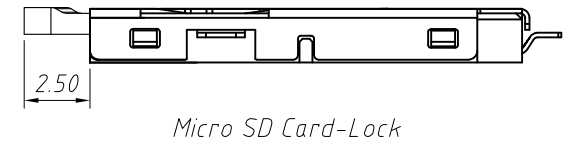
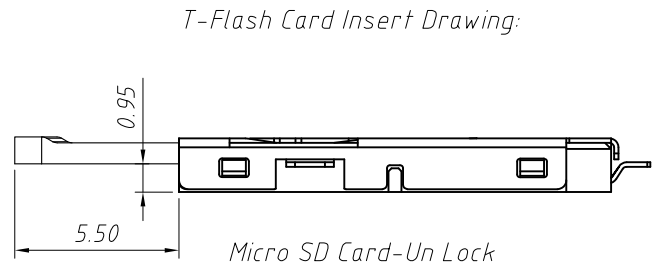
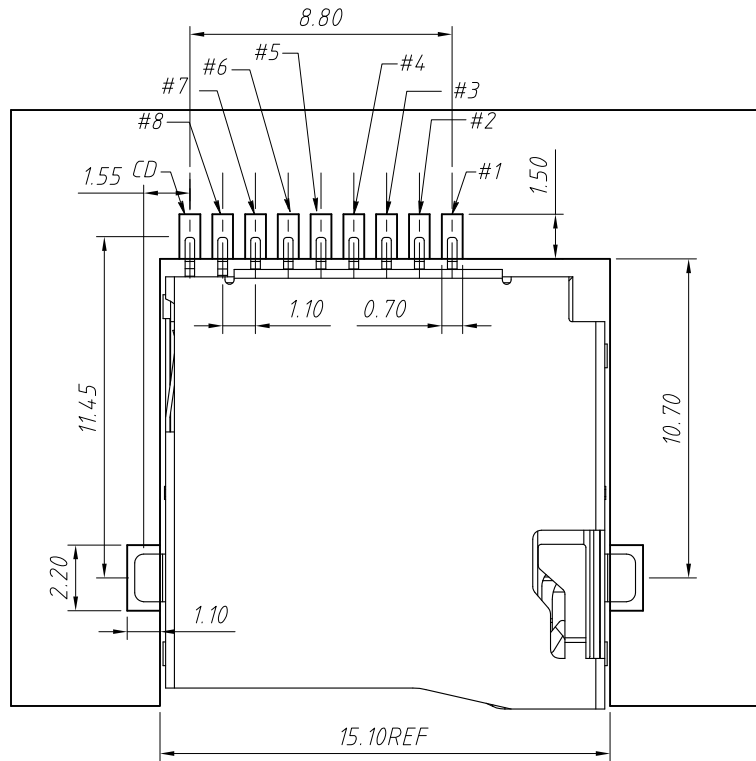
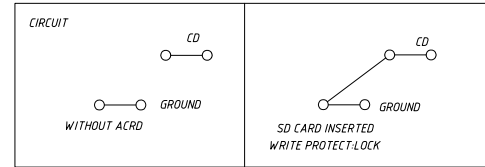


GENERAL TOLERANCE		ANGLE TOLERANCE		PROJECTION	Description: Micro SD Card CONN;PUSH/ PUSH,MID MOUNT 1.0mm,SMD with CD Pin L-KLS1-TF-003A-H1.9-R	
X.	±0.15	X.	±5°	UNITS		mm
.X	±0.03	.X	±3°	SHEET SIZE		A4
.XX	±0.05	.XX	±2°	KLS P/N:		
Draw by:	Jenny	Date:	2018-03-10	 NingBo KLS ELECTRONIC CO.,L TD.		
Check by:		Date:	2018-03-10			
SCALE		SHEET	1 OF 1			



PIN NO.	PIN ASSIGNMENT
1 #	DAT2
2 #	CD/DAT3
3 #	CMD
4 #	VDD
5 #	CLK
6 #	VSS
7 #	DAT0
8 #	DAT1
CD	CD



**Material:**

Insulator: High Temperature Thermoplastic, UL94 V-0.  
 Contact: Copper Alloy, Plated 50u" Ni Overall. Plated Au Selective Contact Area Plated 100u" Sn Over Ni On Solder Area.  
 Shell: Plated 50u" Ni Overall. Plated 1u" Au Selective Contact Area.

**Electrical:**

Current Rating: 0.5mA AC/DC amx.  
 Voltage Rating: 125V AC/DC  
 Ambient Temperature Range: -20°C ~ +60°C  
 Storage Temperature Range: -40°C ~ +70°C  
 Ambient Humidity Range: 95% R.H. Max.  
 Contact Resistance: 100mΩ Max.  
 Insulation Resistance: 1000MΩ Min./500VDC  
 Mating Cycles: 10000 Insertions.  
 Peak temperature: 260°C ± 0.5°C

GENERAL TOLERANCE		ANGLE TOLERANCE		PROJECTION		Description: Micro SD Card CONN; PUSH/ PUSH, MID MOUNT 1.0mm, SMD with CD Pin L-KLS1-TF-003A-H1.9-R
X	±0.15	X	±5°	UNITS	mm	
.X	±0.03	.X	±3°	SHEET SIZE	A4	
.XX	±0.05	.XX	±2°		KLS P/N:	
Draw by:	Jenny	Date:	2018-03-10	 NingBo KLS ELECTRONIC CO., L TD.		
Check by:		Date:	2018-03-10			
SCALE		SHEET	1 OF 1			