

Material
 Housing: PA66, UL 94V-0
 Cage: Brass, Ni plated
 Screws: M3.0, Steel, Zn plated
 Clamp: Phosphor bronze, Ni plated

Electrical
 Rated voltage: 300V
 Rated current: 15A
 Contact Resistance: 20 mΩ
 Insulation resistance: 500MΩ/DC500V
 Withstand voltage: AC2000V / 1 min
 Wire Range: 28 ~ 14AWG 1.5mm²

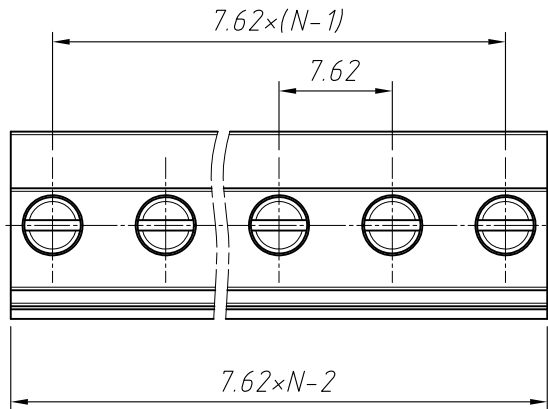
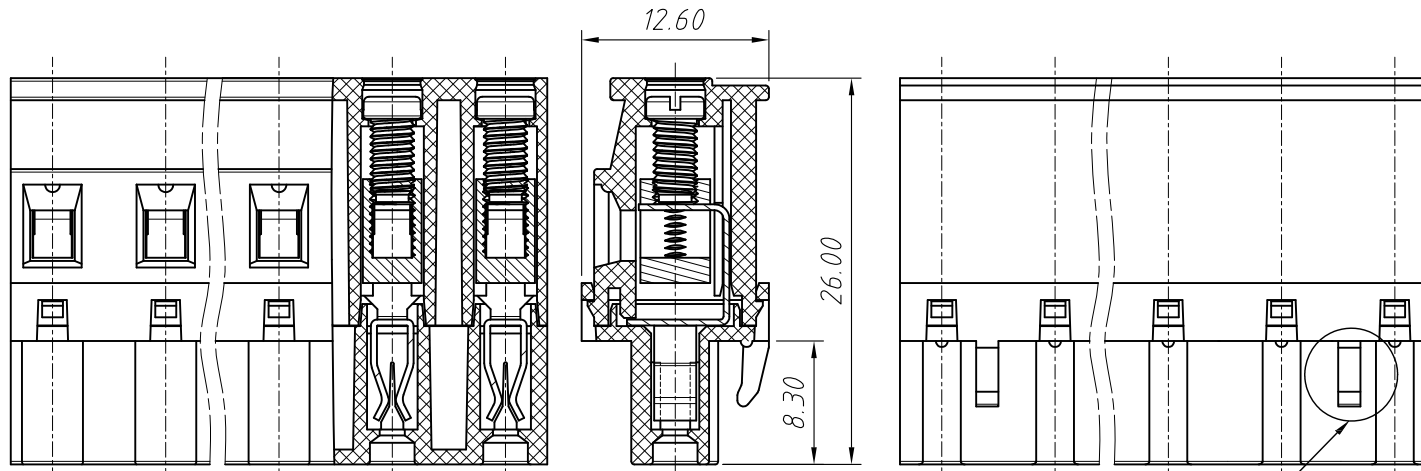
Mechanical
 Temp. Range: -40 °C ~ +105 °C
 Strip length: 7 ~ 8mm
 Torque: 0.5Nm (4.5Lbin)

Order Information

L-KLS2-EDKB-7.50-XXP-4S00

RoHS
 Terminal Block
 Pitch
 No.: of Pole
 Color: 4- Green
 Screw: S-Slot Screw C-Cross Screw
 Product Code: 00 ~ 99

GENERAL TOLERANCE		ANGLE TOLERANCE		Description:	
X. ±0.60		X. ±5°		Pluggable Terminal Block 7.50 MM	
.X ±0.38		.X ±3°			
.XX ±0.25		.XX ±2°			
Draw by	2015-09-01	PROJECTION		KLS P/N:	KLS2-EDKB-7.50-XXP-4S-00
Check by	2015-09-15	UNITS	mm		NingBo KLS ELECTRONIC CO.,L TD.
SCALE		SHEET SIZE	A4		



Material
 Housing: PA66, UL 94V-0
 Cage: Brass, Ni plated
 Screws: M3.0, Steel, Zn plated
 Clamp: Phosphor bronze, Ni plated

Electrical
 Rated voltage: 300V
 Rated current: 15A
 Contact Resistance: 20 mΩ
 Insulation resistance: 500MΩ/DC500V
 Withstand voltage: AC2000V / 1 min
 Wire Range: 28 ~ 14AWG 1.5mm²

Mechanical
 Temp. Range: -40 °C ~ +105 °C
 Strip length: 7 ~ 8mm
 Torque: 0.5Nm(4.5Lbin)

Order Information

L-KLS2-EDKB-7.62-XXP-4S00

RoHS
 Terminal Block
 Pitch
 No.: of Pole
 Color: 4- Green
 Screw: S-Slot Screw C-Cross Screw
 Product Code: 00 ~ 99

GENERAL TOLERANCE		ANGLE TOLERANCE		Description:
X. ±0.60		X. ±5°		Pluggable Terminal Block 7.62 MM
.X ±0.38		.X ±3°		
.XX ±0.25		.XX ±2°		
Draw by	2015-09-01	PROJECTION		KLS P/N: KLS2-EDKB-7.62-XXP-4S-00
Check by	2015-09-15	UNITS	mm	NingBo KLS ELECTRONIC CO.,L TD.
SCALE		SHEET SIZE	A4	