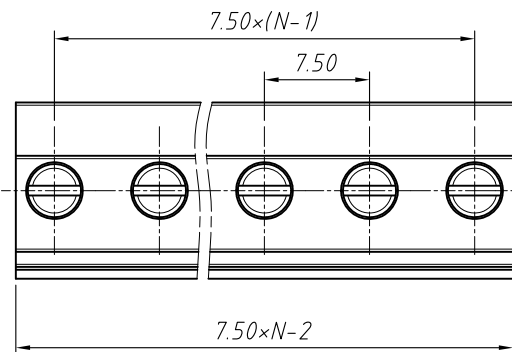
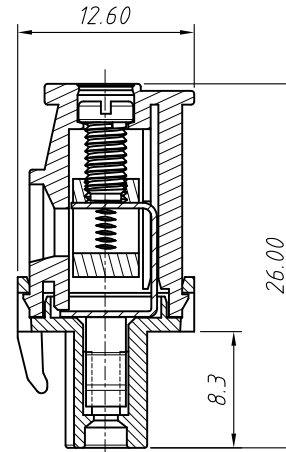


The two line without the feet



Material
Housing: PA66, UL 94V-0
Cage: Brass, Ni plated
Screws: M3.0, Steel, Zn plated
Clamp: Phosphor bronze, Ni plated

Electrical
Rated voltage: 300V
Rated current: 15A
Contact Resistance: 20 mΩ
Insulation resistance: 500MΩ/DC500V
Withstand voltage: AC2000V / 1 min
Wire Range: 28 ~ 14AWG 1.5mm²

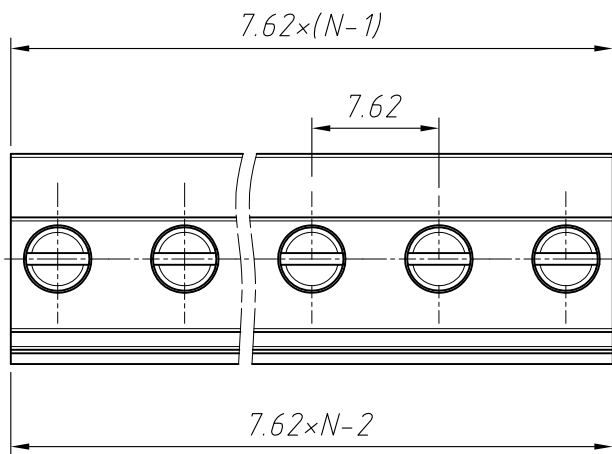
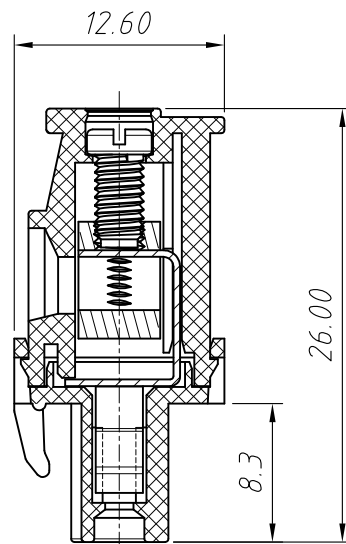
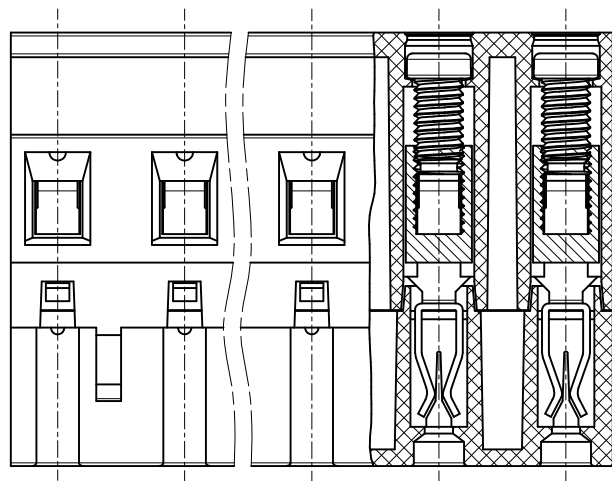
Mechanical
Temp. Range: -40 °C ~ +105 °C
Strip length: 7 ~ 8mm
Torque: 0.5Nm(4.5Lbin)

Order Information

L-KLS2-EDKA-7.50-XXP-4S00

RoHS
Terminal Block
Pitch
No.: of Pole
Color: 4- Green
Screw: S-Slot Screw C-Cross Screw
Product Code: 00 ~ 99

GENERAL TOLERANCE		ANGLE TOLERANCE		Description:	
X. ±0.60	.X ±0.38	.XX ±0.25		X. ±5°	.X ±3°
				.XX ±2°	
Draw by	2015-09-01	PROJECTION		Pluggable Terminal Block 7.50 MM	
Check by	2015-09-15	UNITS	mm	KLS P/N:	KLS2-EDKA-7.50-XXP-4S-00
SCALE		SHEET SIZE	A4	NingBo KLS ELECTRONIC CO.,L TD.	



Material
 Housing: PA66, UL 94V-0
 Cage: Brass, Ni plated
 Screws: M3.0, Steel, Zn plated
 Clamp: Phosphor bronze, Ni plated

Electrical
 Rated voltage: 300V
 Rated current: 15A
 Contact Resistance: 20 mΩ
 Insulation resistance: 500MΩ/DC500V
 Withstand voltage: AC2000V / 1 min
 Wire Range: 28 ~ 14AWG 2.5mm²

Mechanical
 Temp. Range: -40 °C ~ +105 °C
 Strip length: 7 ~ 8mm
 Torque: 0.5Nm(4.5Lbin)

Order Information

L-KLS2-EDKA-7.62-XXP-4S00

RoHS
 Terminal Block
 Pitch
 No.: of Pole
 Color: 4- Green
 Screw: S-Slot Screw C-Cross Screw
 Product Code: 00 ~ 99

GENERAL TOLERANCE		ANGLE TOLERANCE		Description:	
X. ±0.60		X. ±5°		Pluggable Terminal Block 7.62 MM	
.X ±0.38		.X ±3°		KLS P/N:	KLS2-EDKA-7.62-XXP-4S-00
.XX ±0.25		.XX ±2°			
Draw by	2015-09-01	PROJECTION		NingBo KLS ELECTRONIC CO.,L TD.	
Check by	2015-09-15	UNITS	mm		
SCALE		SHEET SIZE	A4		