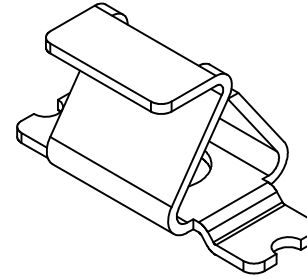
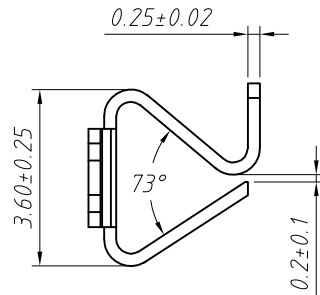
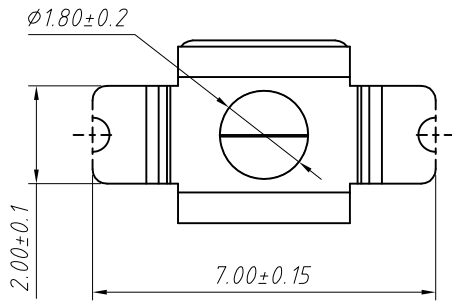


1 RoHS Compliant

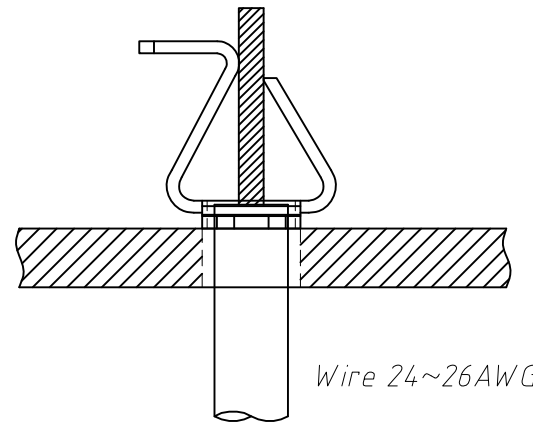
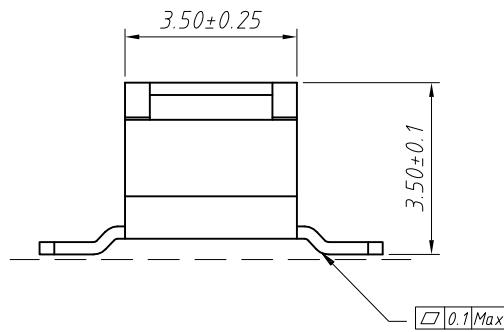


MATERIAL
Contacts: Phosphor Bronze,
Tin-plated

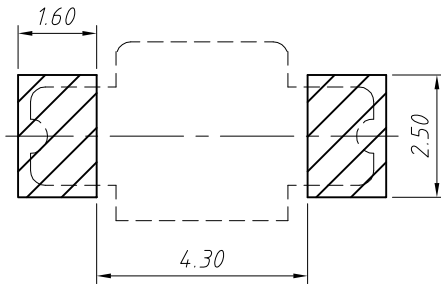
Main Specifications
Poles: 01P
Contact Resistance: $\leq 20m\Omega$
Insulation Resistance: $\geq 1000M\Omega$
Rated Voltage: 250V AC DC
Rated Current: 1.0A AC DC
Withstanding Voltage: 1500V AC/minute
Temperature range: $-40^{\circ}C \sim +120^{\circ}C$

Order Information

L-KLS2- L65
Series No.
RoHS



Assembly Layout



Board Layout

GENERAL TOLERANCE		ANGLE TOLERANCE		PROJECTION	Description:
X	± 0.15	X	$\pm 5^{\circ}$	UNITS	Naked Terminal SMT, vertical, for led lighting, 24 ~ 26AWG L-KLS2-L65
.X	± 0.03	.X	$\pm 3^{\circ}$	SHEET SIZE	
.XX	± 0.05	.XX	$\pm 2^{\circ}$	KLS P/N:	
Draw by:	Jenny	Date:	2018-03-10	 NingBo KLS ELECTRONIC CO.,LTD.	
Check by:		Date:	2018-03-10		
SCALE		SHEET	1 OF 1		