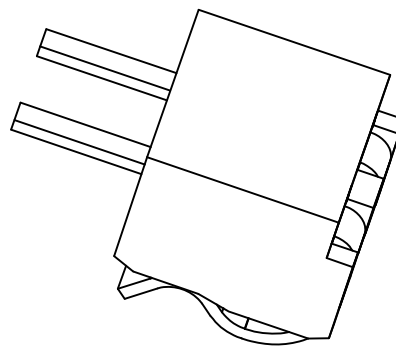
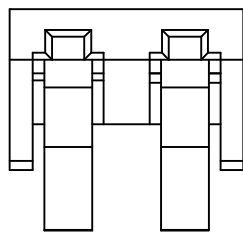
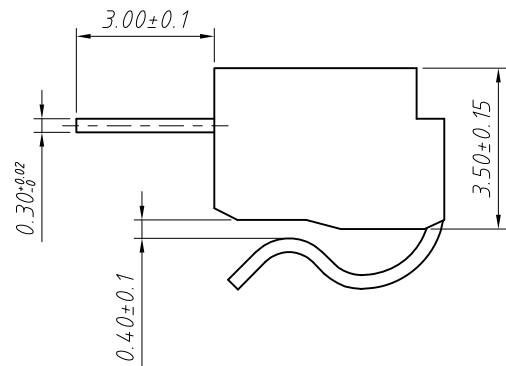


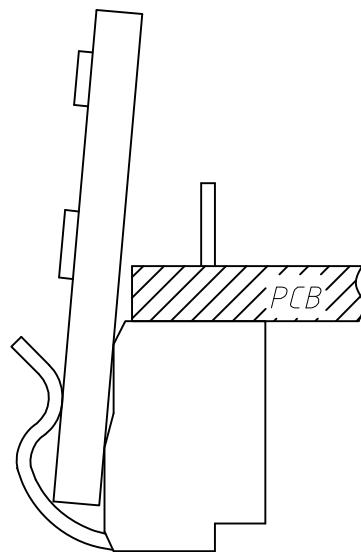
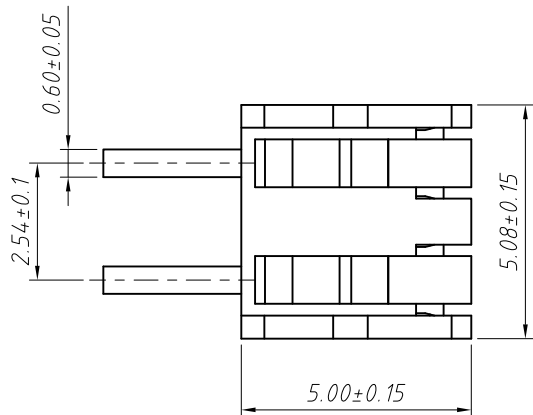
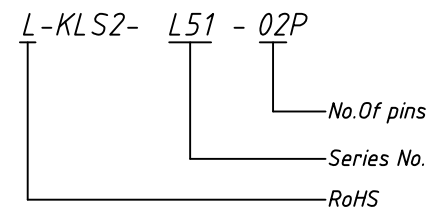
1 RoHS Compliant



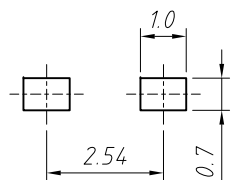
MATERIAL
 Insulator:LCP,UL 94 V-0,Beige
 Contacts:Phosphor Bronze,Tin-plated

Main Specifications
 Poles:02P
 Contact Resistance: $\leq 20m\Omega$
 Insulation Resistance: $\geq 1000M\Omega$
 Rated Voltage:250V AC DC
 Rated Current:1.0A AC DC
 Withstanding Voltage:1000V AC/minute
 Temperature Range: $-25^{\circ}C \sim +120^{\circ}C$

Order Information



Assembly Layout



Board Layout

GENERAL TOLERANCE		ANGLE TOLERANCE		PROJECTION		Description:
X.	± 0.15	X.	$\pm 5^{\circ}$	UNITS	mm	LED Connector for LED CORN Lighting L-KLS1-L51-02P
.X	± 0.03	.X	$\pm 3^{\circ}$	SHEET SIZE	A4	
.XX	± 0.05	.XX	$\pm 2^{\circ}$		KLS P/N:	
Draw by:	Jenny	Date:	2018-03-10			NingBo KLS ELECTRONIC CO.,LTD.
Check by:		Date:	2018-03-10			
SCALE		SHEET	1 OF 1			