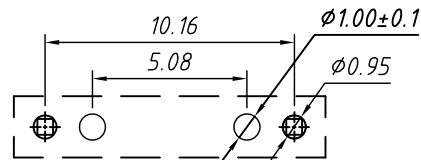
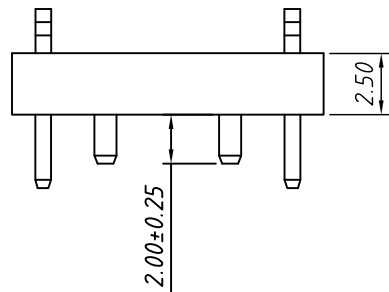
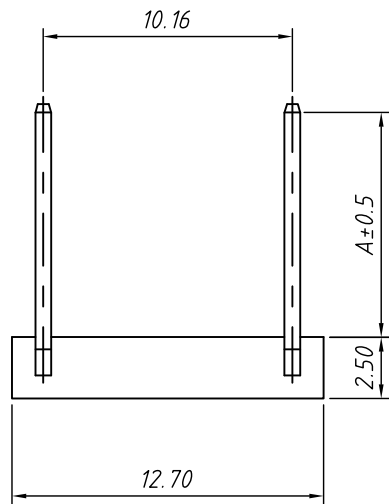
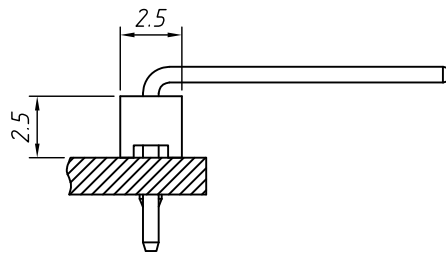
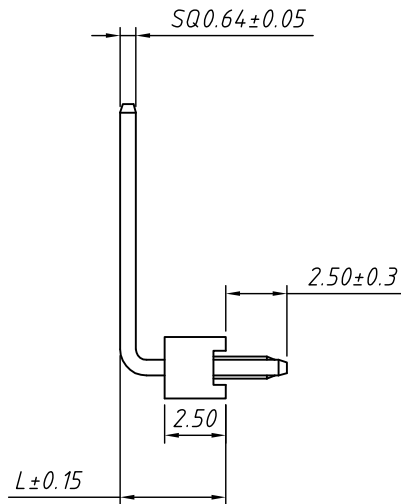


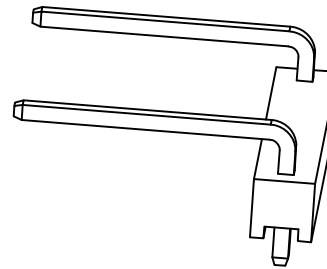
1 RoHS Compliant



Board Layout
General tolerance: ± 0.05



Assembly Layout



MATERIAL
Insulator: PA46, UL 94V-0, Beige
Contacts: Brass, Tin-plated

Main Specifications
Poles: 2P
Contact Resistance: $\leq 20m\Omega$
Insulation Resistance: $\geq 1000M\Omega$
Rated Voltage: 250V AC DC
Rated Current: 2.0A AC DC
Withstanding Voltage: 1500V AC/minute
Temperature Range: $-40^{\circ}C \sim +110^{\circ}C$

Order Information
L-KLS2- L36-GU10- A x L

RoHS —
Series No. —
Apply to the part —
GU10 —
Pin long —
Pin High —

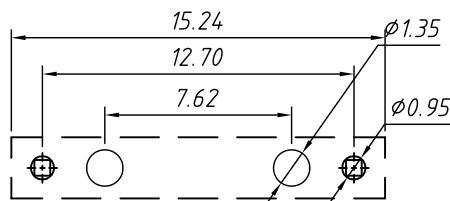
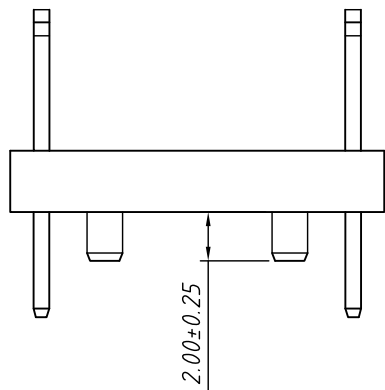
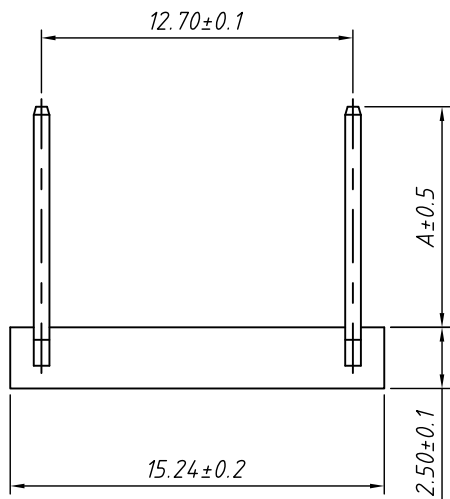
GENERAL TOLERANCE		ANGLE TOLERANCE		PROJECTION	Description:
X. ± 0.15	.X ± 0.03	X. $\pm 5^{\circ}$.X $\pm 3^{\circ}$	UNITS	LED Connector for GU10
.XX ± 0.05	.XX $\pm 2^{\circ}$			SHEET SIZE	Lamp holder, Pitch 10.16mm, with post
				KLS P/N:	L-KLS2-L36-GU10-XxX

Draw by:	Jenny	Date:	2018-03-10
Check by:		Date:	2018-03-10
SCALE		SHEET	1 OF 1

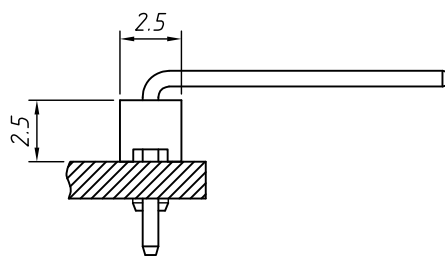
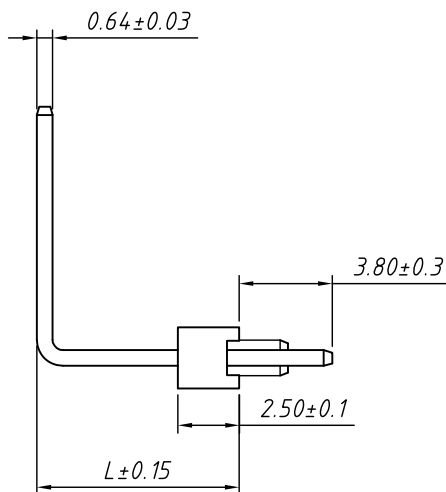


NingBo KLS ELECTRONIC CO.,LTD.

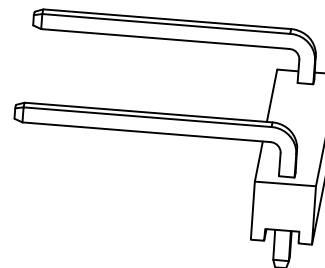
1 RoHS Compliant



Board Layout
General tolerance: ±0.05



Assembly Layout




MATERIAL
Insulator: PA46, UL 94 V-0, Beige
Contacts: Brass, Tin-plated

Main Specifications
Poles: 01~04P
Contact Resistance: ≤20mΩ
Insulation Resistance: ≥1000MΩ
Rated Voltage: 250V AC DC
Rated Current: 2.0A AC DC
Withstanding Voltage: 1500V AC/minute
Temperature Range: -40 °C ~ +110 °C

Order Information
L-KLS2- L36- G13- A x L

RoHS —
Series No. —
Apply to the port —
G13 —
Pin long —
Pin High —

GENERAL TOLERANCE		ANGLE TOLERANCE		PROJECTION	Description:
X. ±0.15	.X ±0.03	X. ±5°	.X ±3°	UNITS	LED Connector for G13
.XX ±0.05		.XX ±2°		SHEET SIZE	Lamp holder, Pitch 12.70mm, with post
				KLS P/N:	L-KLS2-L36-G13-XXX
Draw by:	Jenny	Date:	2018-03-10	 NingBo KLS ELECTRONIC CO.,LTD.	
Check by:		Date:	2018-03-10		
SCALE		SHEET	1 OF 1		