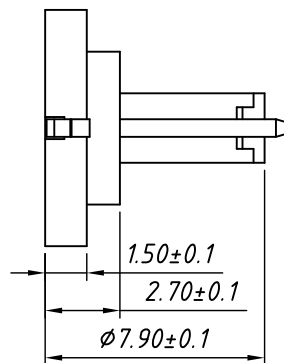
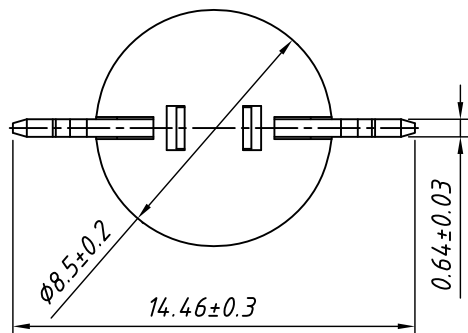


RoHS Compliant

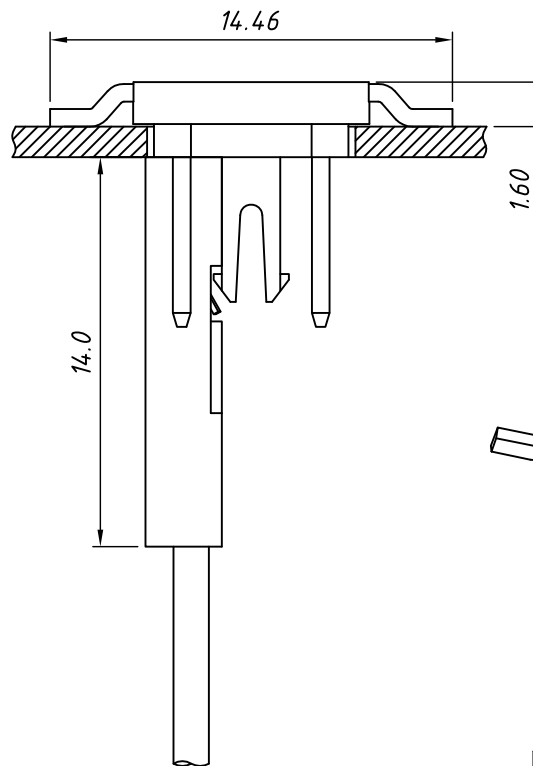
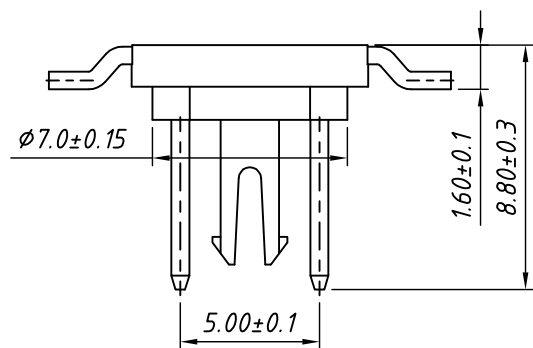


**MATERIAL**

Insulator:LCP,UL 94V-0,BEIGE  
Contacts:Brass,Tin-plated

**Main Specifications**

Contact Resistance:≤20mΩ  
Insulation Resistance:≥100MΩ  
Rated Voltage:250V AC DC  
Rated Current:3.0A AC DC  
Withstanding Voltage:800V AC/minute  
Temperature Range: -25 °C ~ +105° C

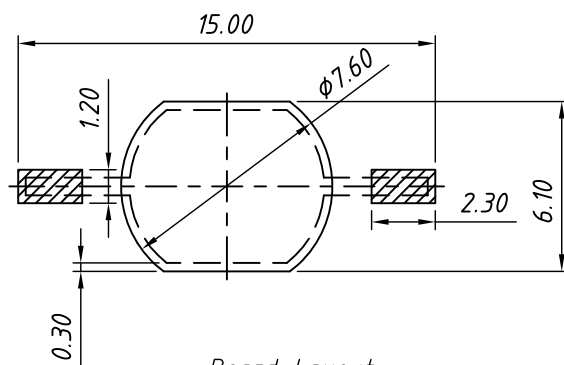
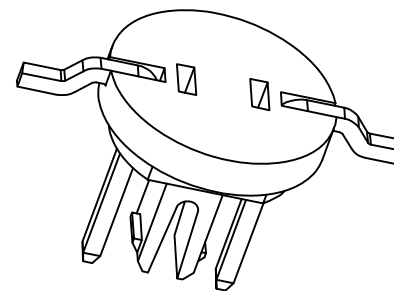


**Order Information**

L-KLS2-L32

Series No.

RoHS



Board Layout  
General Tolerance:±0.05

ASSEMBLY LAYOUT

ANGLE TOLERANCE X. ±2°	PROJECTION		Description:	Wire to Board Link,Socket
	UNITS	mm	for LED Bulb,Pitch 5.00mm	
GENERAL TOLERANCE	SHEET SIZE	A4	Date	2018-11-10
			KLS P/N:	L-KLS2-L32
X. ±0.5	Draw	Daniel		NingBo KLS ELECTRONIC CO.,L TD.
.X ±0.3	Check			
.XX ±0.25	SHEET	1 OF 1		