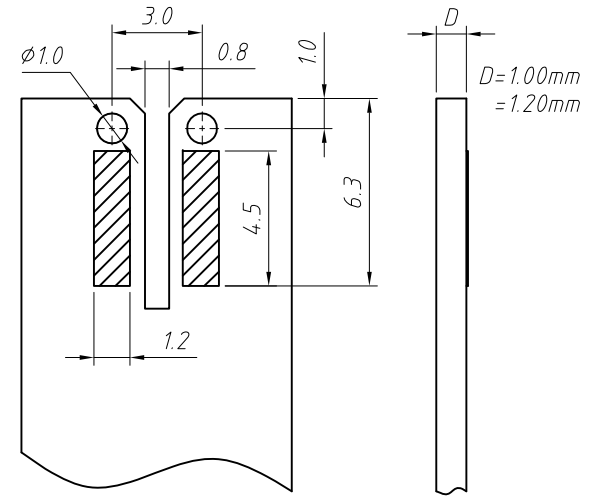
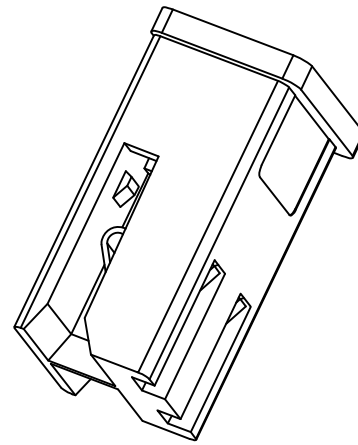
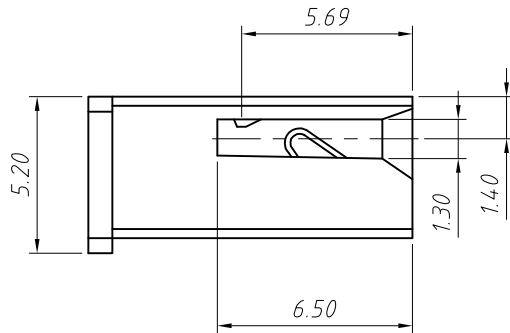
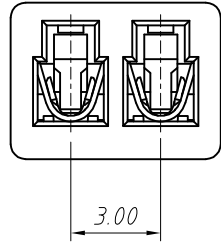
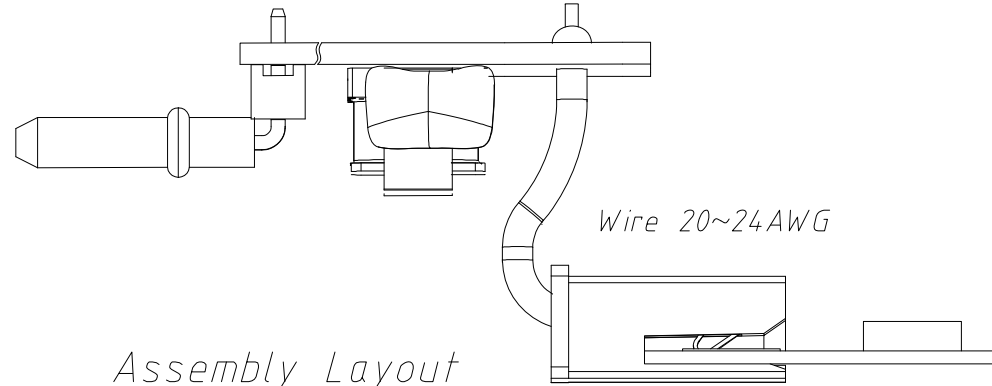
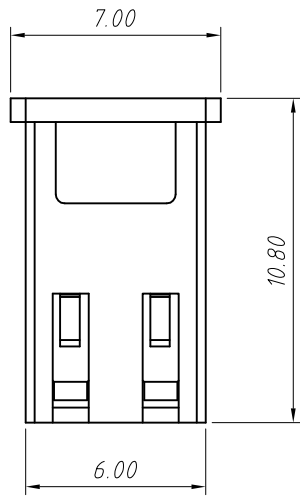


1 RoHS Compliant



Mating Aluminum plate detail



Assembly Layout

MATERIAL
 Insulator: PA46, UL 94V-0, Beige
 Contacts: Brass, Tin-plated
Main Specifications
 Poles: 02P
 Contact Resistance: $\leq 20m\Omega$
 Insulation Resistance: $\geq 1000M\Omega$
 Rated Voltage: 250V AC DC
 Rated Current: 3.0A AC DC
 Withstanding Voltage: 1000V AC/minute
 Temperature Range: $-40^{\circ}C \sim +110^{\circ}C$

Order Information

L-KLS2- L72 - H

Type: H-Housing
 T- Terminal
 Series No.
 RoHS

GENERAL TOLERANCE		ANGLE TOLERANCE		PROJECTION	Description:	
X. ± 0.15		X. $\pm 5^{\circ}$		UNITS		EDGE Connector for T8 LED Lighting
.X ± 0.03		.X $\pm 3^{\circ}$		SHEET SIZE	A4	
.XX ± 0.05		.XX $\pm 2^{\circ}$		KLS P/N:	L-KLS2-L72-X	
Draw by:	Jenny	Date:	2018-03-10		NingBo KLS ELECTRONIC CO.,LTD.	
Check by:		Date:	2018-03-10			
SCALE		SHEET	1 OF 1			