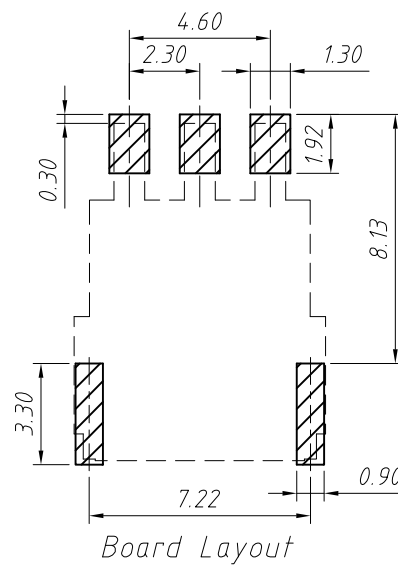
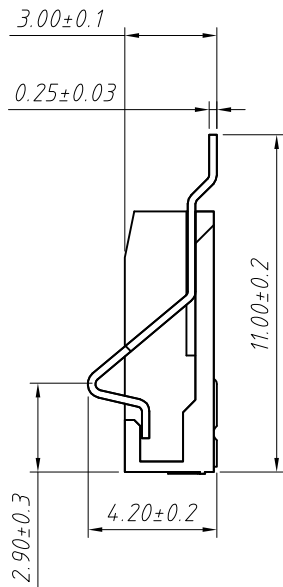
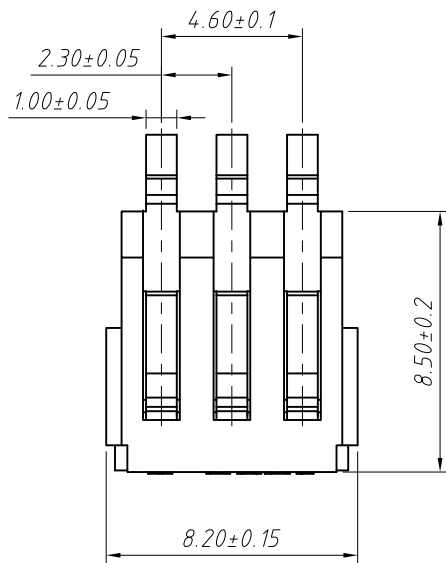


1 RoHS Compliant

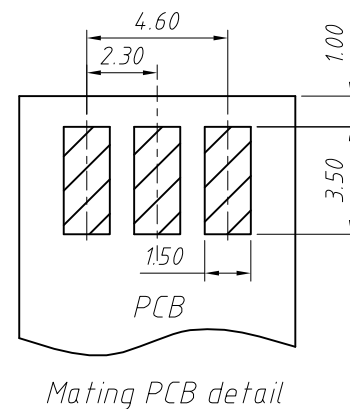
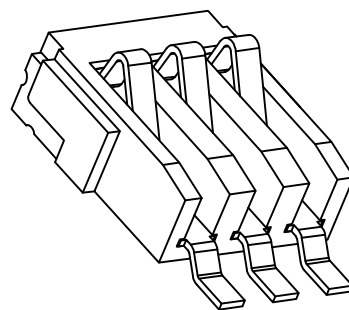
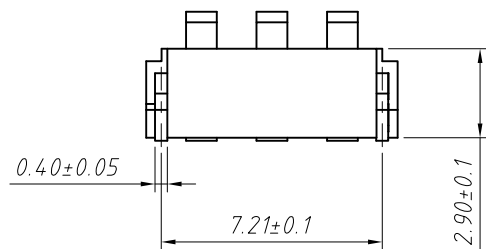


**MATERIAL**

Insulator: LCP, UL 94V-0, Beige  
 Contacts: Phosphor Bronze, Tin-plated  
 Solder Tab: Brass, Tin-plated

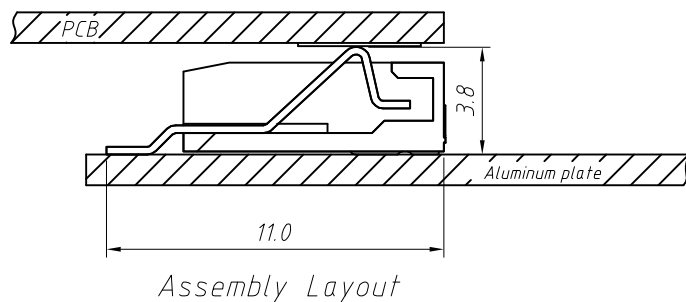
**Main Specifications**


Thickness: 1.0mm to 1.6mm  
 Contact Resistance:  $\leq 20m\Omega$   
 Insulation Resistance:  $\geq 800M\Omega$   
 Rated Voltage: 125V AC DC  
 Rated Current: 1.0A AC DC  
 Withstanding Voltage: 800V AC/minute  
 Temperature Range:  $-40^{\circ}C \sim +120^{\circ}C$



**Order Information**

L-KLS2- L39 -03  
 └──────────┬──────────┘  
 Series No.    Number of poles  
 └──────────┬──────────┘  
 RoHS



GENERAL TOLERANCE		ANGLE TOLERANCE		PROJECTION		Description:	
X	±0.15	X	±5°	UNITS	mm	EDGE CONNECTOR for T8 LED lighting, Pitch 2.30mm L-KLS2-L39-XX	
.X	±0.03	.X	±3°	SHEET SIZE	A4		
.XX	±0.05	.XX	±2°	KLS P/N:			
Draw by:	Jenny	Date:	2018-03-10	 NingBo KLS ELECTRONIC CO.,L TD.			
Check by:		Date:	2018-03-10				
SCALE		SHEET	1 OF 1				