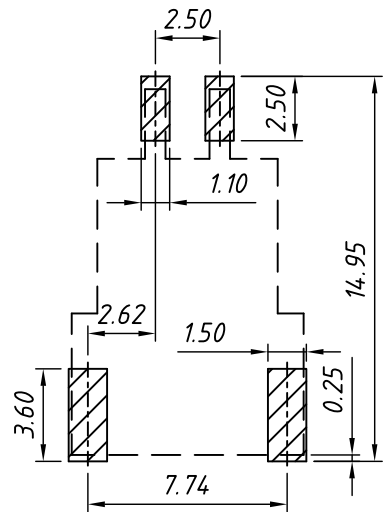
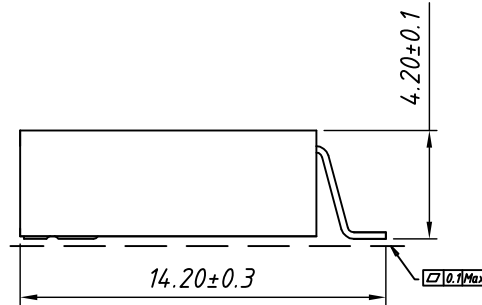
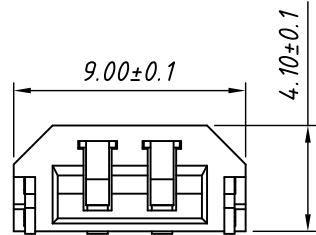
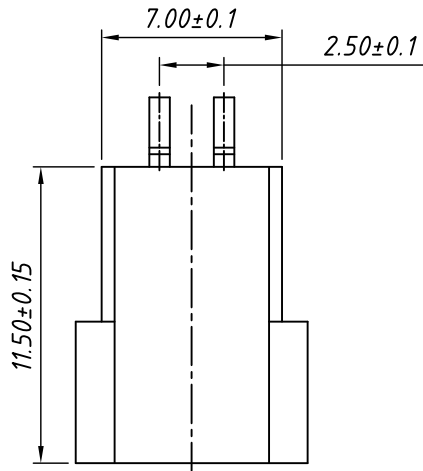
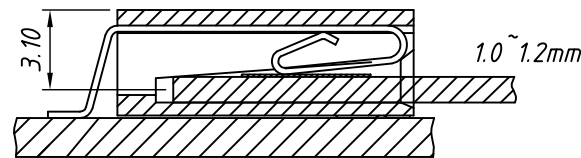


RoHS Compliant

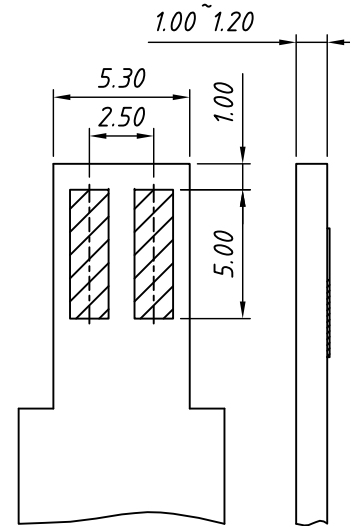
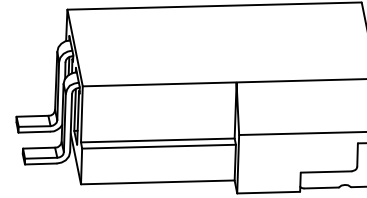


Board Layout

General Tolerance: ±0.05



ASSEMBLY LAYOUT



MATING PCB DETAIL

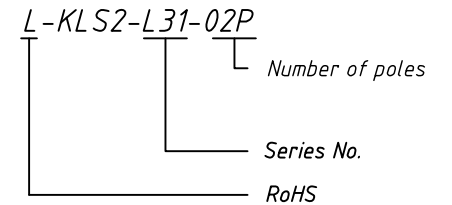
MATERIAL

Insulator: LCP, UL94V-0, BEIGE
 Contacts: Phosphor Bronze, Tin-plated
 Solder tab: Brass, Tin-plated

Main Specifications

Poles: 02P
 Thickness: 1.0~1.2mm
 Contact Resistance: ≤20mΩ
 Insulation Resistance: ≥800MΩ
 Rated Voltage: 250V AC DC
 Rated Current: 2.0A AC DC
 Withstanding Voltage: 800V AC/minute
 Temperature Range: -25 °C ~ +105 °C

Order Information



ANGLE TOLERANCE X. ±2°	PROJECTION		Description:	EDGE Connector for T8 LED
	UNITS	mm	Lighting, Pitch 2.5mm, 2 Poles	
GENERAL TOLERANCE	SHEET SIZE	A4		
	Date	2018-11-10	KLS P/N:	L-KLS2-L31-02P
X. ±0.5	Draw	Daniel		NingBo KLS ELECTRONIC CO., L TD.
.X ±0.3	Check			
.XX ±0.25	SHEET	1 OF 1		

