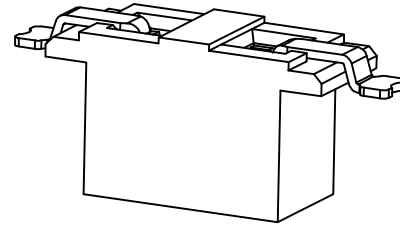
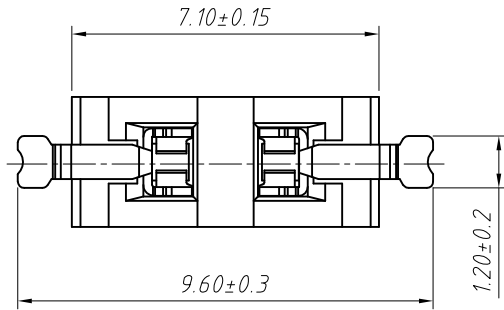
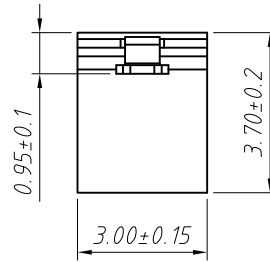
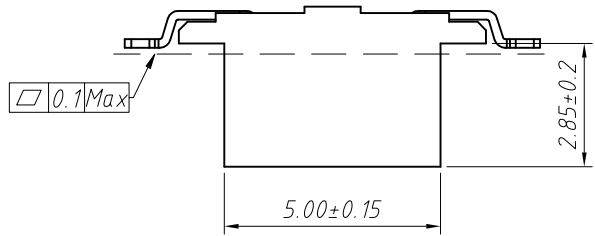


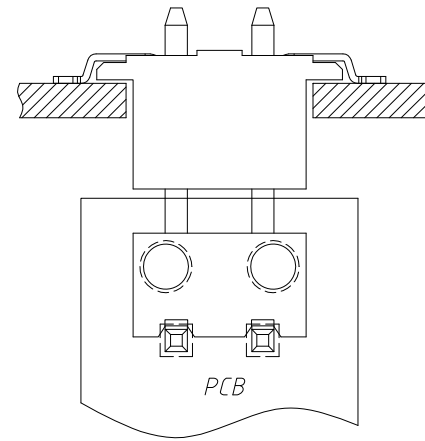
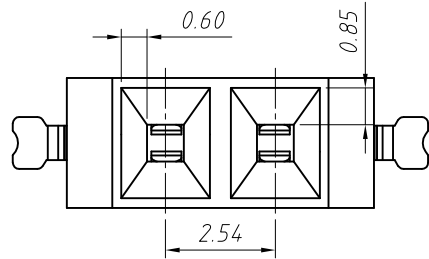
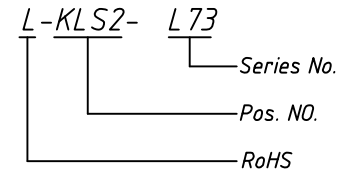
1 RoHS Compliant



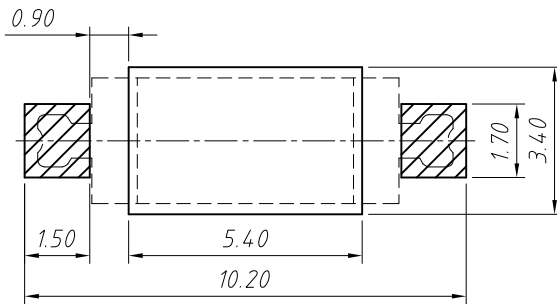
MATERIAL
 Insulator:LCP,UL 94V-0,Beige
 Contacts:Phosphor Bronze,Tin-plated
Main Specifications
 Poles:02P
 Contact Resistance: $\leq 20m\Omega$
 Insulation Resistance: $\geq 1000M\Omega$
 Rated Voltage:125V AC DC
 Rated Current:1.0A AC DC
 Withstanding Voltage:1500V AC/minute
 Temperature Range: $-40^{\circ}C \sim +120^{\circ}C$




Order Information



Assembly Layout



Board Layout
 General tolerance: ± 0.05

GENERAL TOLERANCE		ANGLE TOLERANCE		PROJECTION	Description:
X. ± 0.15		X. $\pm 5^{\circ}$		UNITS	Board to Board Link, for LED Bulb,Pitch 2.54mm L-KLS2-L73
.X ± 0.03		.X $\pm 3^{\circ}$		SHEET SIZE	
.XX ± 0.05		.XX $\pm 2^{\circ}$		KLS P/N:	
Draw by:	Jenny	Date:	2018-03-10	 NingBo KLS ELECTRONIC CO.,L TD.	
Check by:		Date:	2018-03-10		
SCALE		SHEET	1 OF 1		