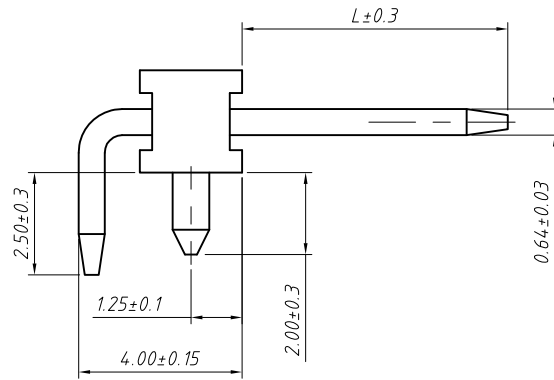
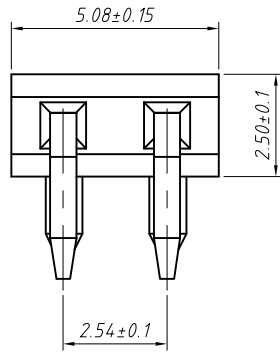


1 RoHS Compliant



Lengs Code	L±0.3mm
045	4.5
060	6.0
065	6.5
085	8.5
105	10.5
130	13.0
152	15.2

MATERIAL

Insulator:LCP,UL 94V-0,Beige
Contacts:Brass,Tin-plated

Main Specifications

Poles:02-06P
Contact Resistance:≤20mΩ
Insulation Resistance:≥1000MΩ
Rated Voltage:125V AC DC
Rated Current:1.0A AC DC
Withstanding Voltage:1500V AC/minute
Temperature Range:-40 °C ~ + 120° C

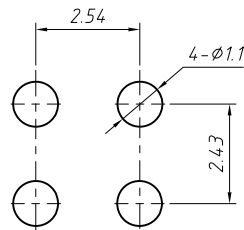
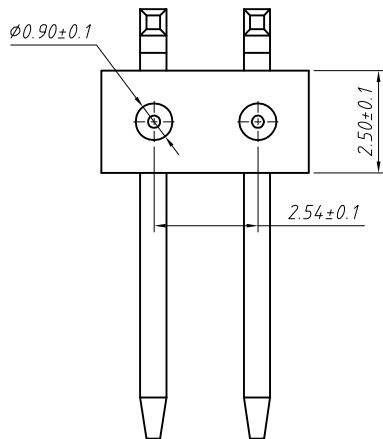
Order Information

L-KLS2- L62A -XX

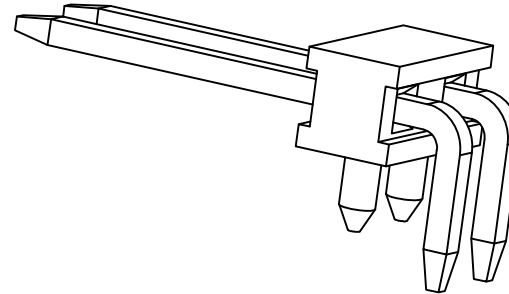
RoHS


Series No.

Pin lengs Code: L size



Board Layout



GENERAL TOLERANCE		ANGLE TOLERANCE		PROJECTION		Description:	
X.	±0.15	X.	±5°	UNITS	mm	Board to Board Link, for LED Bulb,Pitch 2.5mm L-KLS2-L62A-XX	
.X	±0.03	.X	±3°	SHEET SIZE	A4		
.XX	±0.05	.XX	±2°	KLS P/N:			
Draw by:	Jenny	Date:	2018-03-10	 NingBo KLS ELECTRONIC CO.,L TD.			
Check by:		Date:	2018-03-10				
SCALE		SHEET	1	OF	1		