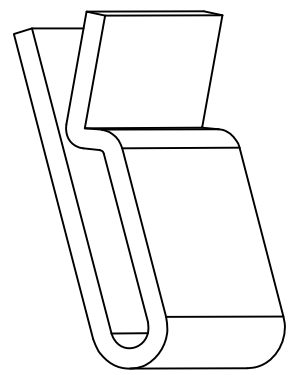
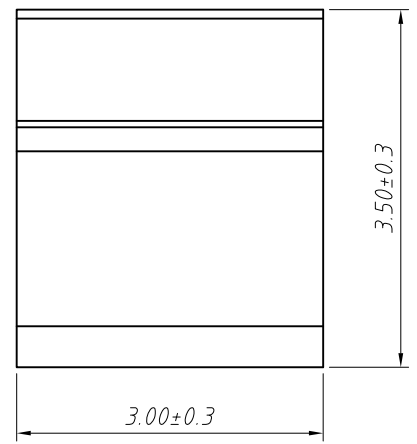
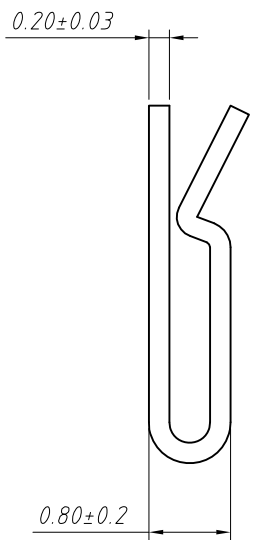


1
RoHS Compliant



MATERIAL
Contacts: Phosphor Bronze, Tin-plated

Main Specifications
Poles: 01P
Contact Resistance: $\leq 20m\Omega$
Insulation Resistance: $1000M\Omega$ Min.
Rated Voltage: 250V AC DC
Rated Current: 2.0A AC DC
Withstanding Voltage: 1000VAC/minute
Temperature Range: $-40^{\circ}C \sim +105^{\circ}C$

Order Information
L-KLS2- L53-A
└── Series No.
└── Pos. NO.
└── RoHS

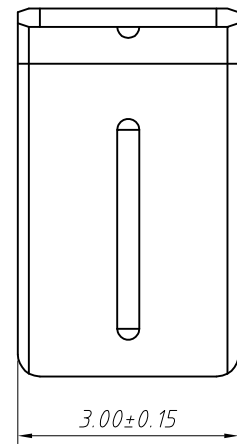
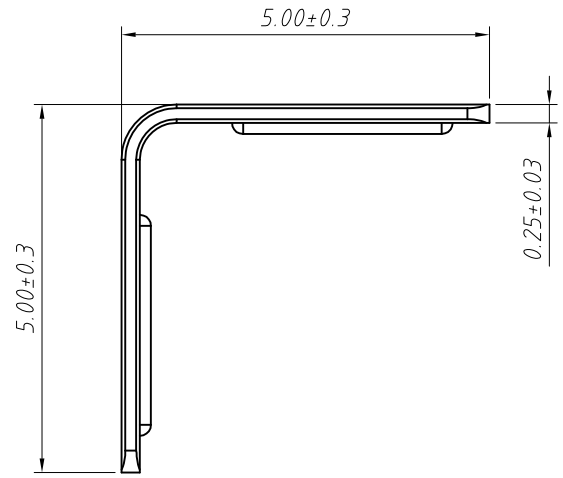
GENERAL TOLERANCE		ANGLE TOLERANCE		PROJECTION	⊕	Description:
X. ± 0.15		X. $\pm 5^{\circ}$		UNITS	mm	Board to Board Link, for LED Panel Lighting
.X ± 0.03		.X $\pm 3^{\circ}$		SHEET SIZE	A4	
.XX ± 0.05		.XX $\pm 2^{\circ}$		KLS P/N:	L-KLS2-L53-A	

Draw by: Jenny Date: 2018-03-10
Check by: Date: 2018-03-10
SCALE SHEET 1 OF 1



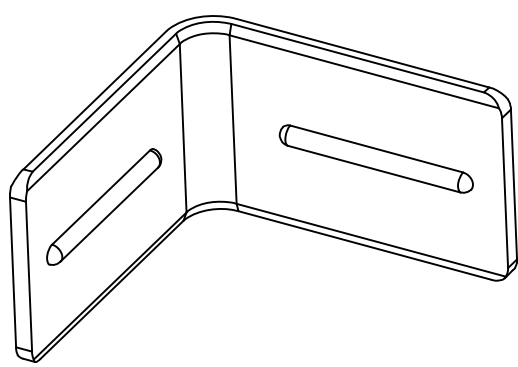
NingBo KLS ELECTRONIC CO.,LTD.

1
RoHS Compliant



MATERIAL
Contacts: Phosphor Bronze, Tin-plated

Main Specifications
Poles: 01P
Contact Resistance: $\leq 20m\Omega$
Insulation Resistance: 1000M Ω Min.
Rated Voltage: 250V AC DC
Rated Current: 2.0A AC DC
Withstanding Voltage: 1000VAC/minute
Temperature Range: -40°C ~ +105°C



Order Information
L-KLS2- L53-B
Series No.
Pos. NO.
RoHS

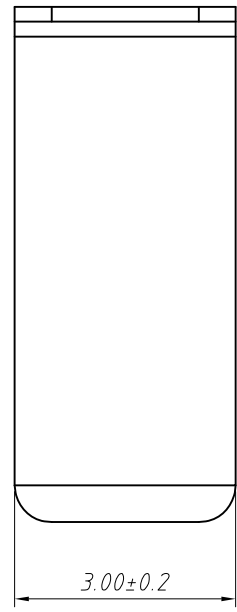
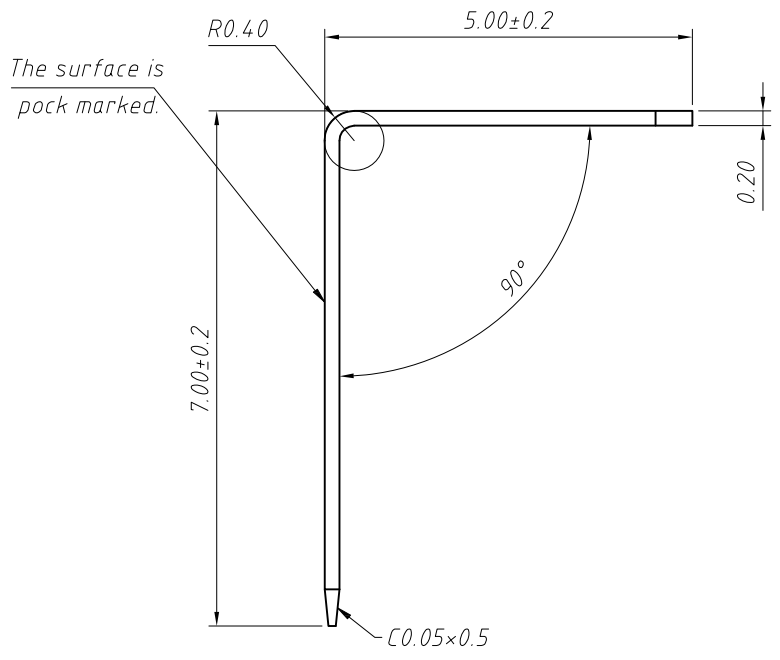
GENERAL TOLERANCE		ANGLE TOLERANCE		PROJECTION	Description:
X. ± 0.15		X. $\pm 5^\circ$		UNITS	Board to Board Link, for LED Panel Lighting
.X ± 0.03		.X $\pm 3^\circ$		SHEET SIZE	
.XX ± 0.05		.XX $\pm 2^\circ$		KLS P/N:	

Draw by:	Jenny	Date:	2018-03-10
Check by:		Date:	2018-03-10
SCALE		SHEET	1 OF 1



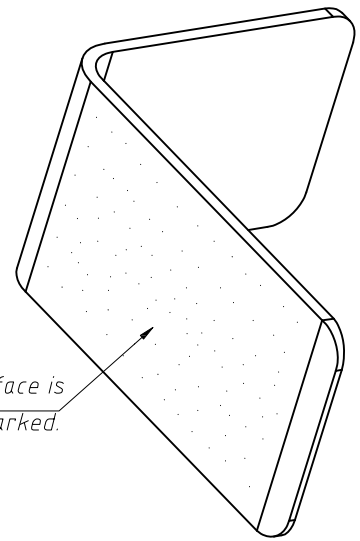
NingBo KLS ELECTRONIC CO.,LTD.

1
RoHS Compliant



MATERIAL
Contacts: Phosphor Bronze, Tin-plated

Main Specifications
Poles: 01P
Contact Resistance: $\leq 20m\Omega$
Insulation Resistance: $1000M\Omega$ Min.
Rated Voltage: 250V AC DC
Rated Current: 2.0A AC DC
Withstanding Voltage: 1000VAC/minute
Temperature Range: $-40^{\circ}C \sim +105^{\circ}C$



Order Information
L-KLS2- L53-C
Series No.
Pos. NO.
RoHS

GENERAL TOLERANCE		ANGLE TOLERANCE		PROJECTION	Description:
X. ± 0.15		X. $\pm 5^{\circ}$		UNITS	Board to Board Link, for LED Panel Lighting
.X ± 0.03		.X $\pm 3^{\circ}$		SHEET SIZE	
.XX ± 0.05		.XX $\pm 2^{\circ}$		KLS P/N:	

Draw by:	Jenny	Date:	2018-03-10
Check by:		Date:	2018-03-10
SCALE		SHEET	1 OF 1

KLS NingBo KLS ELECTRONIC CO.,LTD.