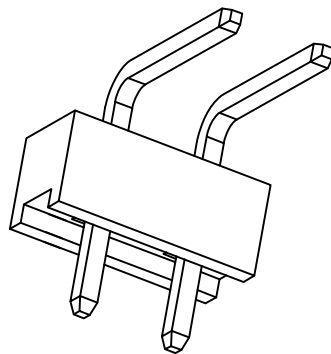
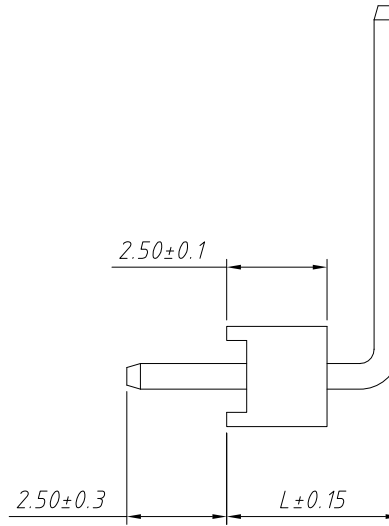
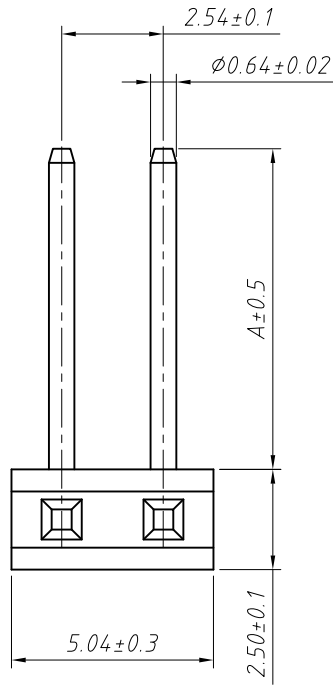


1
RoHS Compliant



MATERIAL

Insulator:LCP,UL 94V-0,Beige

Contacts:Brass,Tin-plated

Main Specifications

Contact Resistance:≤20mΩ

Insulation Resistance:≥1000MΩ

Rated Voltage:250V AC DC

Rated Current:2.0A AC DC

Withstanding Voltage:1000V AC/minute

Temperature Range: -40 °C ~ + 110° C

Order Information

L-KLS2- L40A-XXP-XXX

RoHS

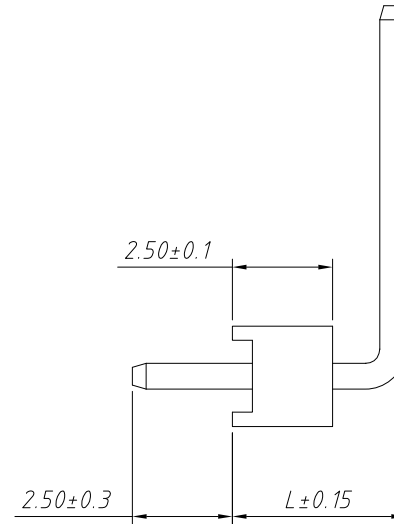
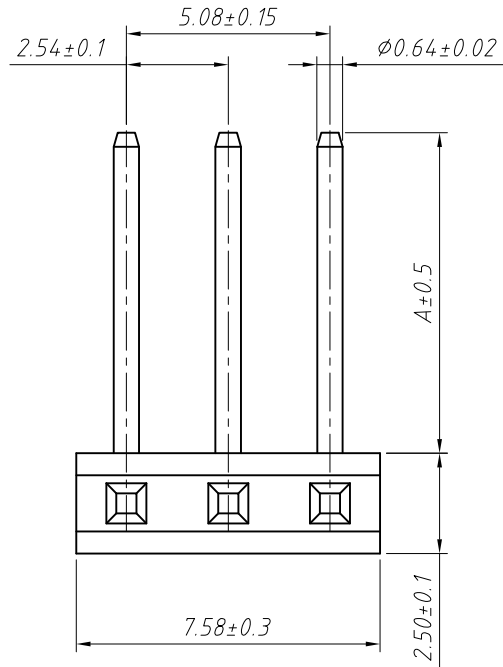
Series No.

Number of Poles

Pin LengesCode: A & L Size

GENERAL TOLERANCE		ANGLE TOLERANCE		PROJECTION		Description:	
X.	±0.15	X.	±5°	UNITS	mm	Board to Board Link, for T8 LED Lighting,pitch 2.5mm	
.X	±0.03	.X	±3°	SHEET SIZE	A4		
.XX	±0.05	.XX	±2°	KLS P/N:			
Draw by:	Jenny	Date:	2018-03-10	 NingBo KLS ELECTRONIC CO.,L TD.		L-KLS2-L40Y-XXP	
Check by:		Date:	2018-03-10				
SCALE		SHEET	1	OF	1		

1 RoHS Compliant



MATERIAL

Insulator: LCP, UL 94 V-0, Beige

Contacts: Brass, Tin-plated

Main Specifications

Contact Resistance: $\leq 20m\Omega$

Insulation Resistance: $\geq 1000M\Omega$

Rated Voltage: 250V AC DC

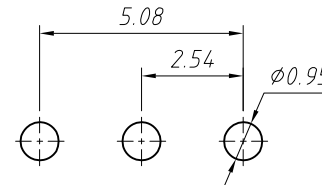
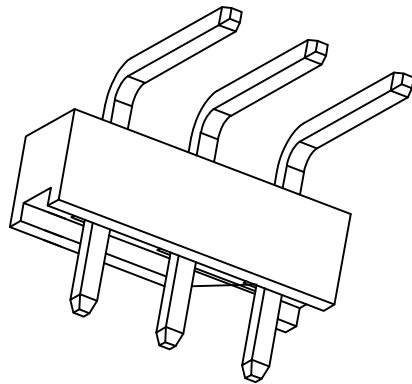
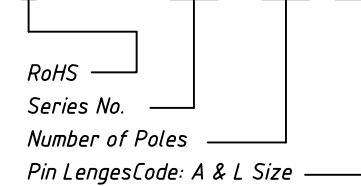
Rated Current: 2.0A AC DC

Withstanding Voltage: 1000V AC/minute

Temperature Range: $-40^{\circ}C \sim +110^{\circ}C$

Order Information

L-KLS2- L40A-XXP-XXX

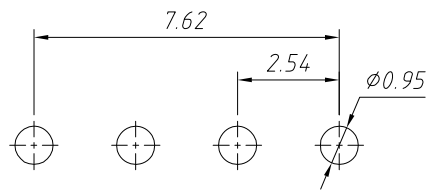
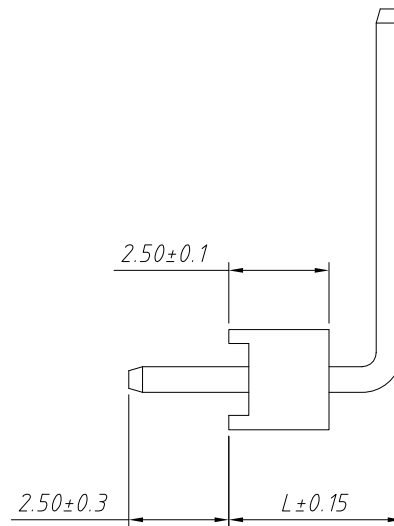
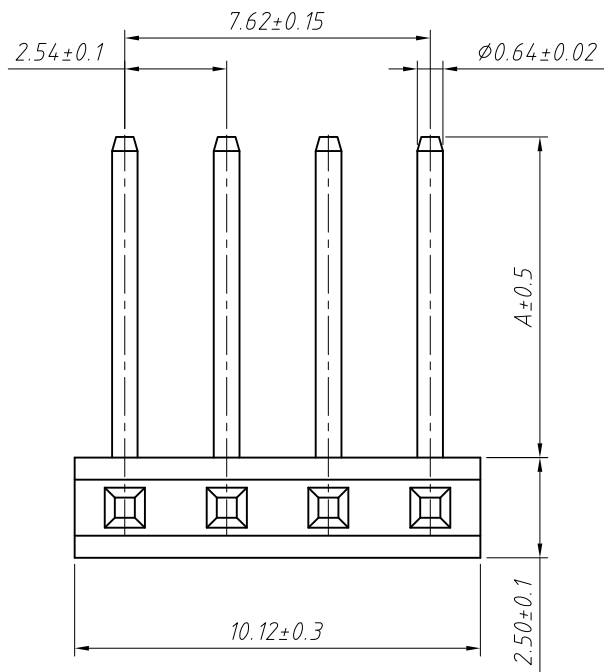


Board Layout

General Tolerance: ± 0.05

GENERAL TOLERANCE		ANGLE TOLERANCE		PROJECTION		Description:
.X	± 0.15	.X	$\pm 5^{\circ}$	UNITS	mm	Board to Board Link, for T8 LED Lighting, pitch 2.5mm
.X	± 0.03	.X	$\pm 3^{\circ}$	SHEET SIZE	A4	
.XX	± 0.05	.XX	$\pm 2^{\circ}$		KLS P/N:	L-KLS2-L40Y-XXP
Draw by:	Jenny	Date:	2018-03-10	NingBo KLS ELECTRONIC CO.,LTD.		
Check by:		Date:	2018-03-10			
SCALE		SHEET	1 OF 1			

1
RoHS Compliant



Board Layout
General Tolerance: ±0.05

MATERIAL

Insulator: LCP, UL 94 V-0, Beige

Contacts: Brass, Tin-plated

Main Specifications

Contact Resistance: ≤20mΩ

Insulation Resistance: ≥1000MΩ

Rated Voltage: 250V AC DC

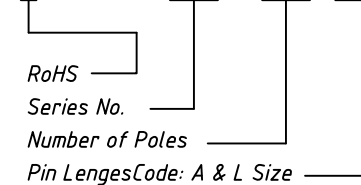
Rated Current: 2.0A AC DC


Withstanding Voltage: 1000V AC/minute

Temperature Range: -40 °C ~ +110 °C

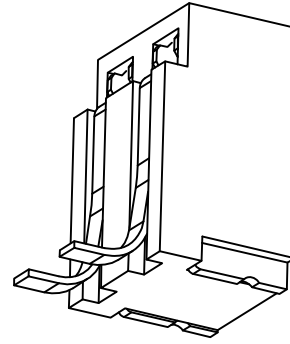
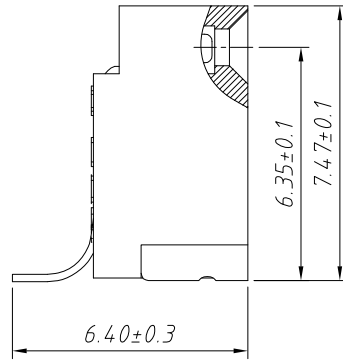
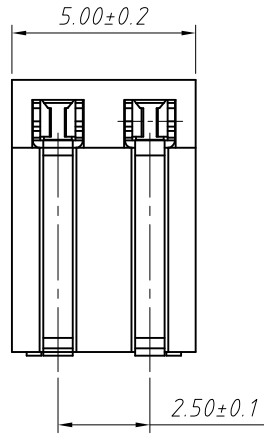
Order Information

L-KLS2- L40A-XXP-XXX



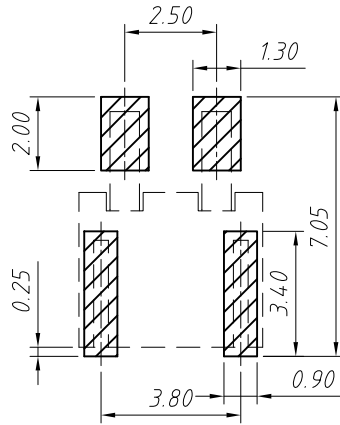
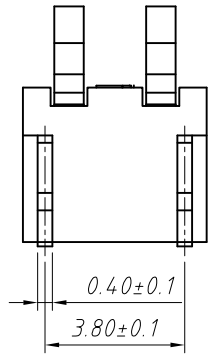
GENERAL TOLERANCE		ANGLE TOLERANCE		PROJECTION		Description:	
X.	±0.15	X.	±5°	UNITS	mm	LED on the board flink, for T8 LED Light in pin 2.5mm pitch holder	
.X	±0.03	.X	±3°	SHEET SIZE	A4		
.XX	±0.05	.XX	±2°	KLS P/N:			
Draw by:	Jenny	Date:	2018-03-10	 NingBo KLS ELECTRONIC CO.,LTD.			
Check by:		Date:	2018-03-10				
SCALE		SHEET	1	OF	1		

1 RoHS Compliant

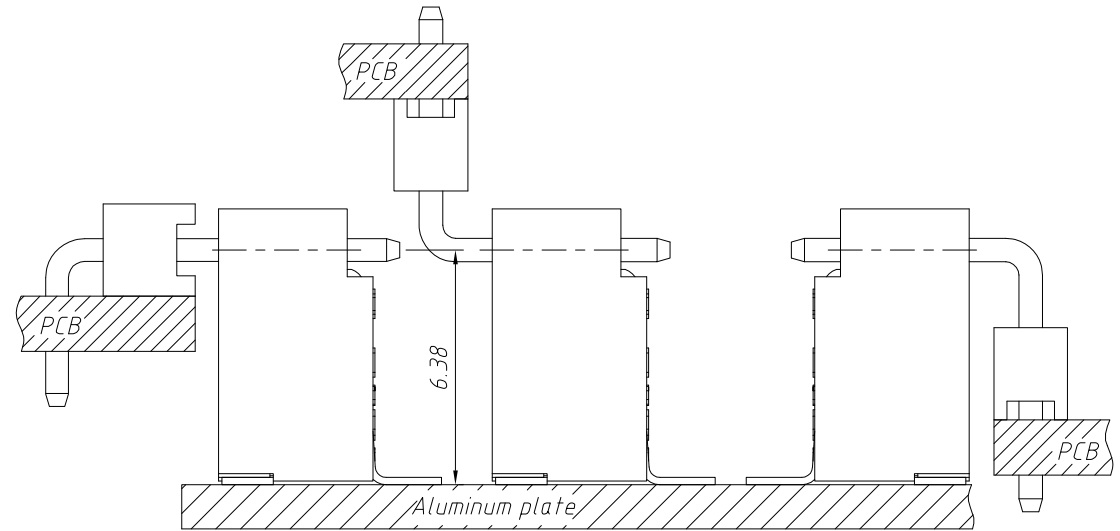


MATERIAL
 Insulator: LCP, UL 94V-0, Beige
 Contacts: Phosphor Bronze, Tin-plated
 Solder Tab: Brass, Tin-plated

Main Specifications
 Poles: 02-04P
 Contact Resistance: $\leq 20m\Omega$
 Insulation Resistance: $\geq 1000M\Omega$
 Rated Voltage: 125V AC DC
 Rated Current: 1.0A AC DC
 Withstanding Voltage: 1000V AC/minute
 Temperature Range: $-25^{\circ}C \sim +105^{\circ}C$



Board Layout
 General Tolerance: ± 0.05



Assembly Layout

Order Information

L-KLS2- L40Y-XXP

Number of Poles

Series No.

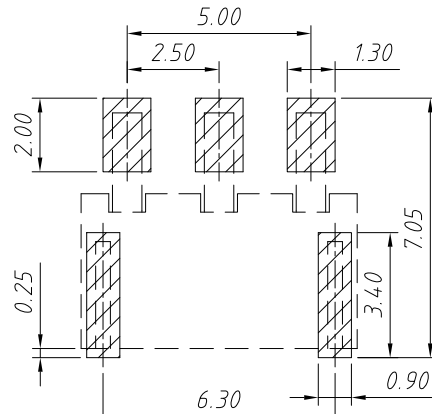
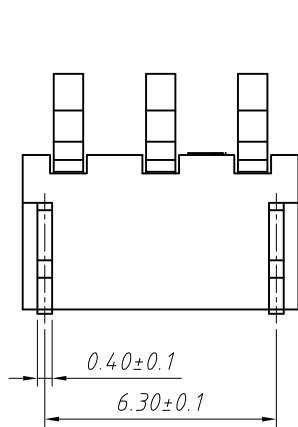
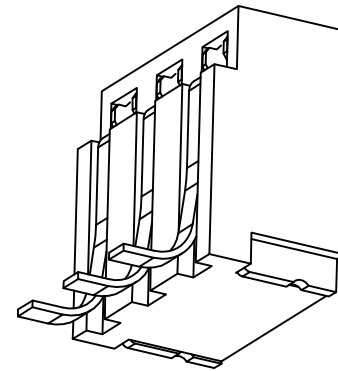
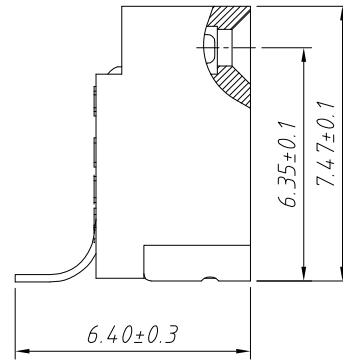
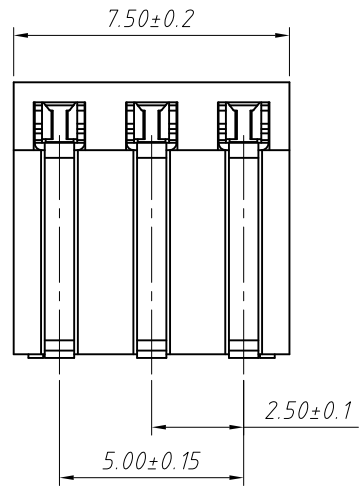
RoHS

GENERAL TOLERANCE		ANGLE TOLERANCE		PROJECTION		Description:	
X	± 0.15	X	$\pm 5^{\circ}$	UNITS		Board to Board Link, for T8 LED Lighting, pitch 2.5mm L-KLS2-L40Y-XXP	
.X	± 0.03	.X	$\pm 3^{\circ}$	SHEET SIZE	A4		
.XX	± 0.05	.XX	$\pm 2^{\circ}$	KLS P/N:			
Draw by:	Jenny	Date:	2018-03-10			NingBo KLS ELECTRONIC CO.,LTD.	
Check by:		Date:	2018-03-10				
SCALE		SHEET	1 OF 1				

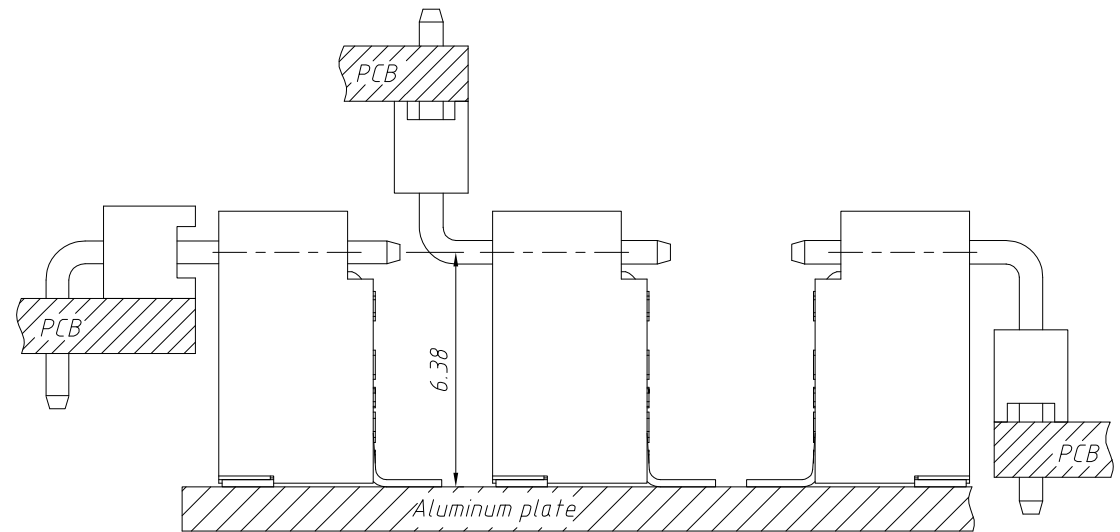
1 RoHS Compliant

MATERIAL
 Insulator:LCP,UL 94V-0,Beige
 Contacts:Phosphor Bronze,Tin-plated
 Solder Tab:Brass,Tin-plated

Main Specifications
 Poles:02-04P
 Contact Resistance: $\leq 20m\Omega$
 Insulation Resistance: $\geq 1000M\Omega$
 Rated Voltage:125V AC DC
 Rated Current:1.0A AC DC
 Withstanding Voltage:1000V AC/minute
 Temperature Range: $-25^{\circ}C \sim +105^{\circ}C$



Board Layout
 General Tolerance: ± 0.05



Assembly Layout

Order Information

L-KLS2- L40Y-XXP

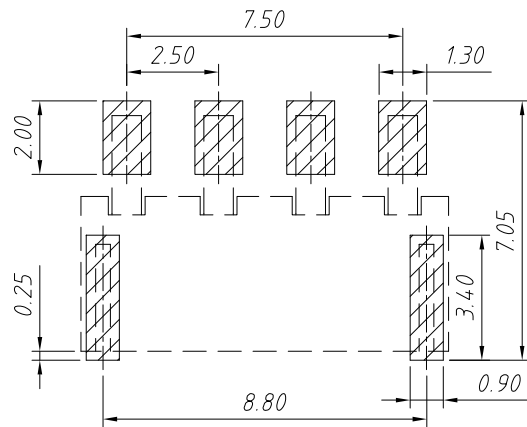
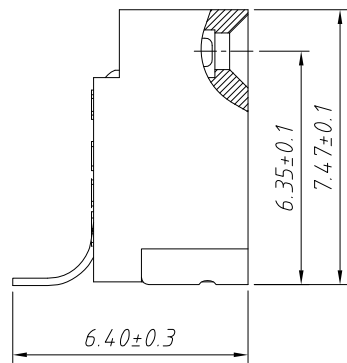
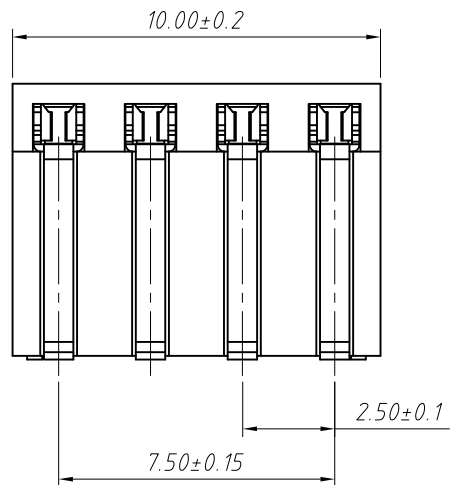
Number of Poles

Series No.

RoHS

GENERAL TOLERANCE		ANGLE TOLERANCE		PROJECTION	Description:
X	± 0.15	X	$\pm 5^{\circ}$	UNITS	Board to Board Link, for T8 LED Lighting,pitch 2.5mm L-KLS2-L40Y-XXP
.X	± 0.03	.X	$\pm 3^{\circ}$	SHEET SIZE	
.XX	± 0.05	.XX	$\pm 2^{\circ}$	KLS P/N:	
Draw by:	Jenny	Date:	2018-03-10	 NingBo KLS ELECTRONIC CO.,L TD.	
Check by:		Date:	2018-03-10		
SCALE		SHEET	1 OF 1		

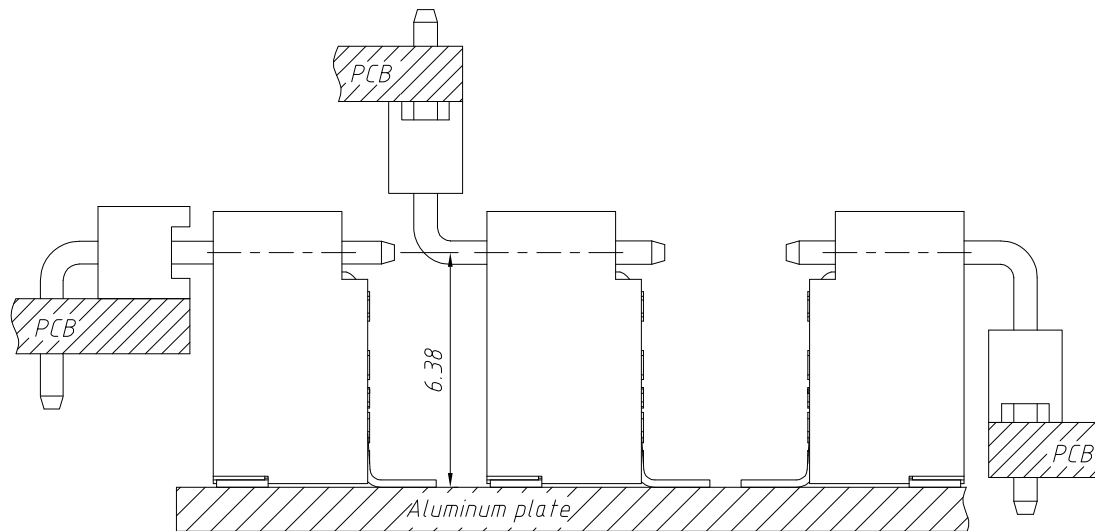
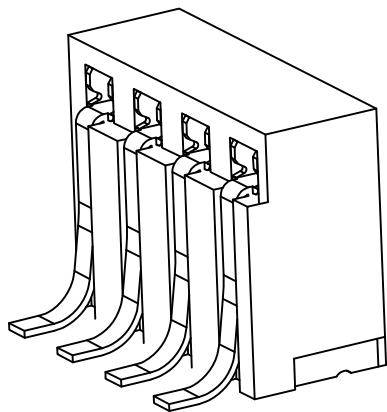
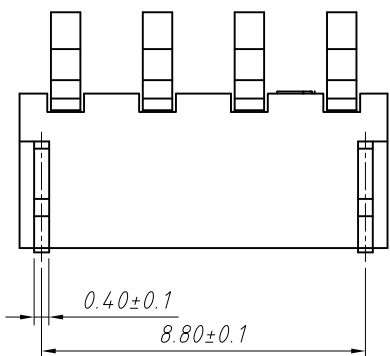
1 RoHS Compliant



Board Layout
General Tolerance: ±0.05

MATERIAL
 Insulator: LCP, UL 94V-0, Beige
 Contacts: Phosphor Bronze, Tin-plated
 Solder Tab: Brass, Tin-plated

Main Specifications
 Poles: 02-04P
 Contact Resistance: ≤20mΩ
 Insulation Resistance: ≥1000MΩ
 Rated Voltage: 125V AC DC
 Rated Current: 1.0A AC DC
 Withstanding Voltage: 1000V AC/minute
 Temperature Range: -25 °C ~ +105 °C



Assembly Layout

Order Information

L-KLS2- L40Y-XXP

Number of Poles

Series No.

RoHS

GENERAL TOLERANCE		ANGLE TOLERANCE		PROJECTION		Description:	
X	±0.15	X	±5°	UNITS	mm	Board to Board Link, for T8 LED Lighting, pitch 2.5mm	
.X	±0.03	.X	±3°	SHEET SIZE	A4		
.XX	±0.05	.XX	±2°	KLS P/N:			
Draw by:	Jenny	Date:	2018-03-10	 NingBo KLS ELECTRONIC CO.,L TD.		L-KLS2-L40Y-XXP	
Check by:		Date:	2018-03-10				
SCALE		SHEET	1 OF 1				