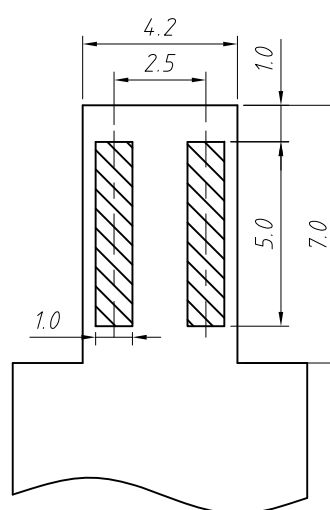
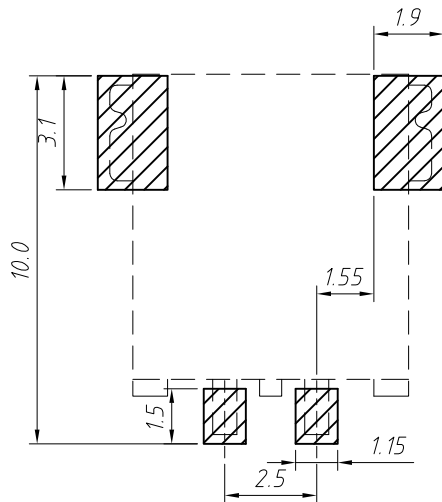
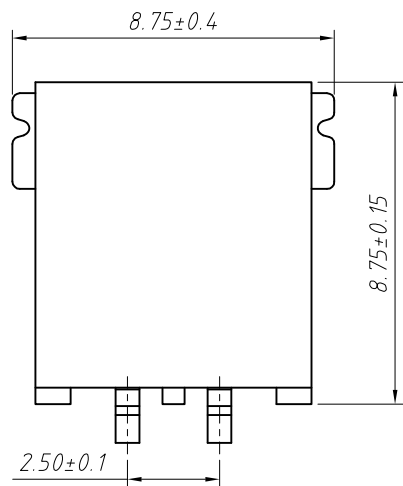
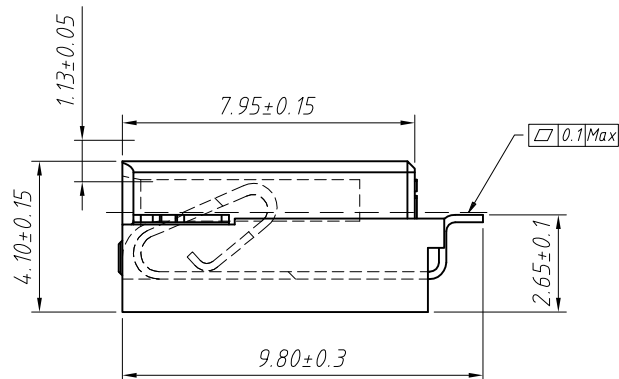
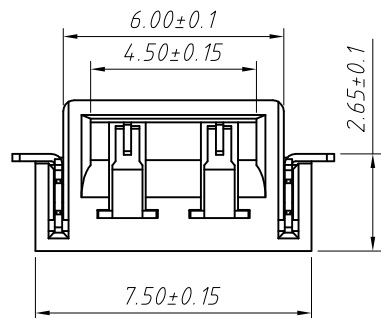


1 RoHS Compliant

MATERIAL
 Insulator:LCP,UL 94V-0,Beige
 Contacts:Phosphor Bronze,Tin-plated
 Solder Tab:Phosphor Bronze,Tin-plated

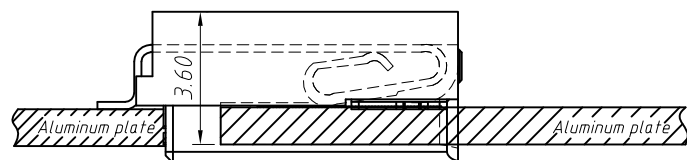
Main Specifications
 Thickness:1.0mm
 Contact Resistance: $\leq 20m\Omega$
 Insulation Resistance: $\geq 1000M\Omega$
 Rated Voltage:250V AC DC
 Rated Current:2.0A AC DC
 Withstanding Voltage:1000V AC/minute
 Temperature Range: $-40^{\circ}C \sim +120^{\circ}C$

Order Information
 L-KLS2- L59 - 02P
 Number of poles
 Series No.
 RoHS



Board Layout

Mating Aluminum plate detail



Assembly Layout

GENERAL TOLERANCE		ANGLE TOLERANCE		PROJECTION	Description:
.X	± 0.15	.X	$\pm 5^{\circ}$	UNITS	EDGE Connector
.X	± 0.03	.X	$\pm 3^{\circ}$	SHEET SIZE	for LED Lighting,pitch 2.50mm
.XX	± 0.05	.XX	$\pm 2^{\circ}$	KLS P/N:	L-KLS2-L59-02P
Draw by:	Jenny	Date:	2018-03-10	 NingBo KLS ELECTRONIC CO.,L TD.	
Check by:		Date:	2018-03-10		
SCALE		SHEET	1 OF 1		