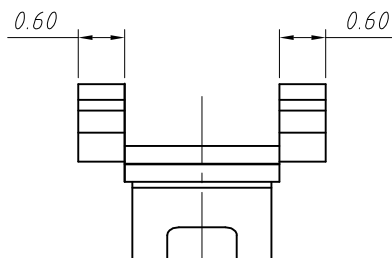
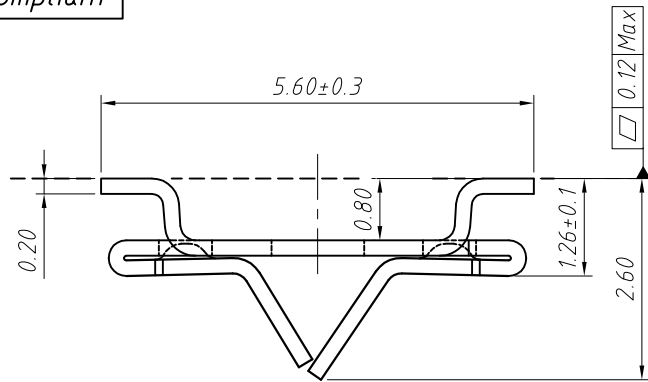


1 RoHS Compliant

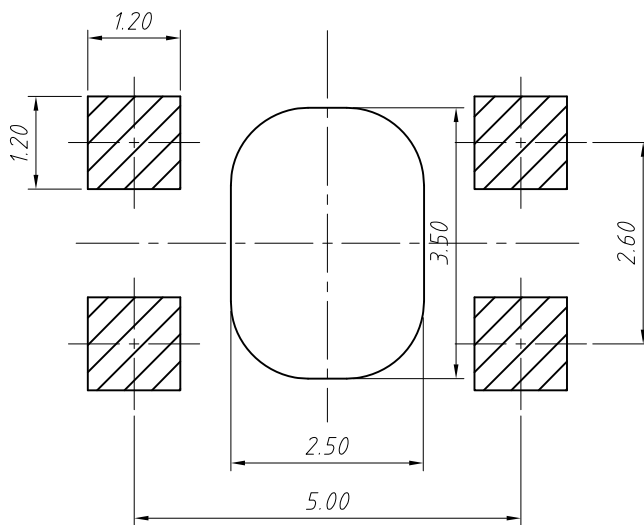
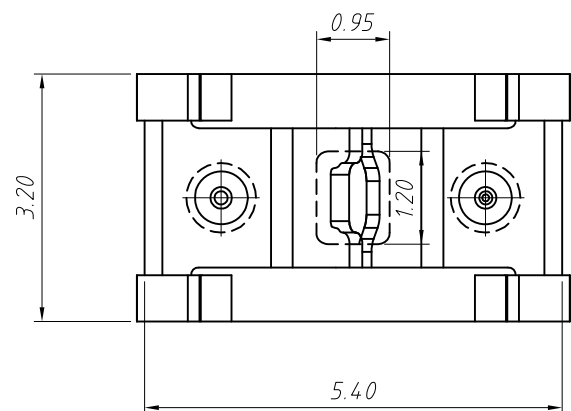


MATERIAL  
Contact: Phosphor Bronze, Sn-plated

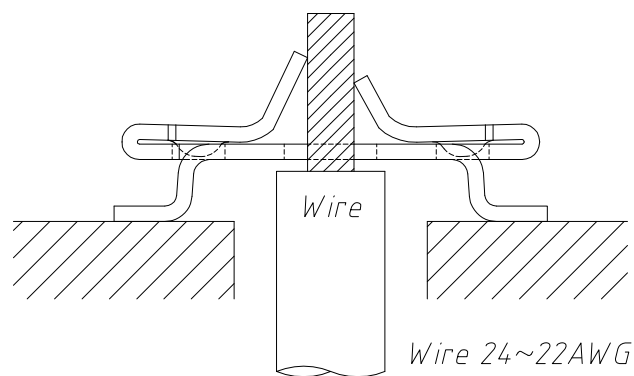
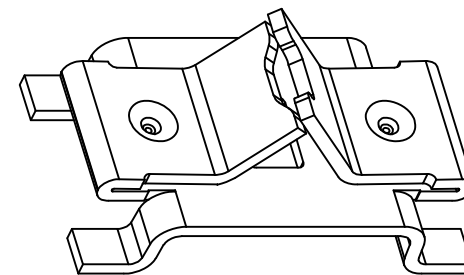
Main Specifications  
Poles: 01P  
Contact Resistance:  $\leq 20m\Omega$   
Rated Voltage: 250V AC DC  
Rated Current: 1.0A AC DC  
Temperature Range:  $-45^{\circ}C \sim +125^{\circ}C$

Order Information

L-KLS2- L87  
Series No.  
RoHS



SUGGESTED PCB LAYOUT



Assembly Layout

GENERAL TOLERANCE		ANGLE TOLERANCE		PROJECTION	Description:
.X	$\pm 0.15$	.X	$\pm 5^{\circ}$	UNITS	Naked Terminal SMT, vertical, for led lighting, 24~26AWG
.X	$\pm 0.03$	.X	$\pm 3^{\circ}$	SHEET SIZE	
.XX	$\pm 0.05$	.XX	$\pm 2^{\circ}$	KLS P/N:	
					L-KLS2-L87

Draw by:	Jenny	Date:	2018-03-10
Check by:		Date:	2018-03-10
SCALE		SHEET	1 OF 1

**KLS** NingBo KLS ELECTRONIC CO.,LTD.