

Material
 Nut: M2.5, Brass
 Housing: PA66, UL 94 V-0
 Pin header: Brass, Tin plated

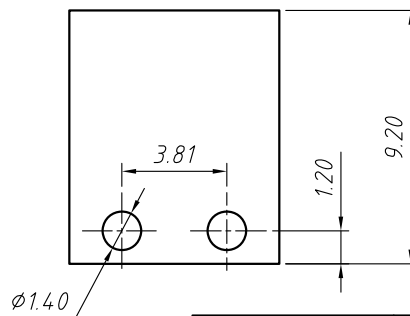
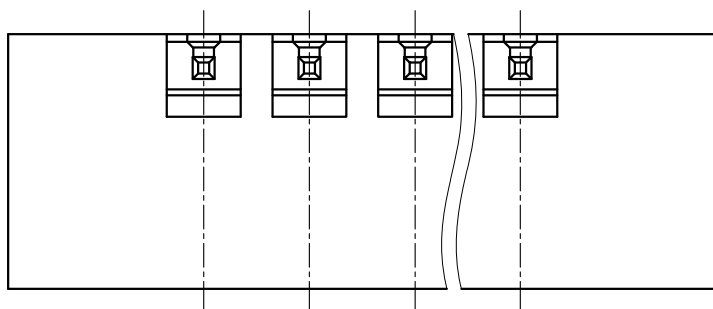
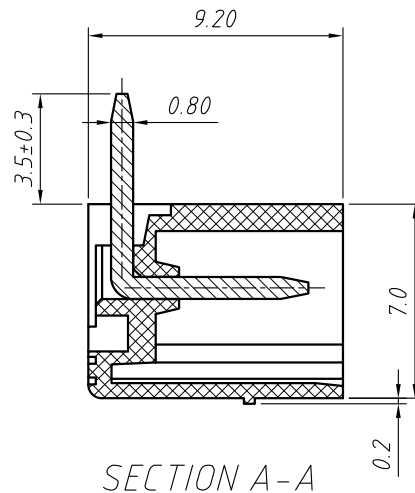
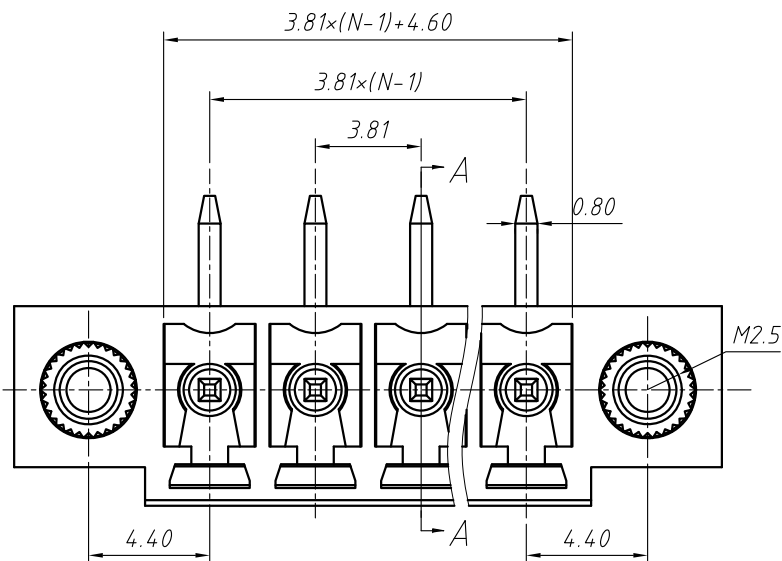
Electrical
 Rated voltage: 300V
 Rated current: 8A
 Contact Resistance: 20 mΩ
 Insulation resistance: 500MΩ/DC500V
 Withstand voltage: AC2000V / 1 min

Mechanical
 Temp. Range: -40 °C ~ +105 °C

Order Information

L-KLS2-EDLR-3.50-XXP-4 S 00
 RoHS
 Terminal Block
 Pitch
 No.: of Pole
 Color: 4- Green
 Screw: S-Slot Screw C-Cross Screw
 Product Code: 00~99

| GENERAL TOLERANCE | | ANGLE TOLERANCE | | Description: | |
|-------------------|------------|-----------------|----|---------------------------------|--------------------------|
| X. ±0.60 | | X. ±5° | | Pluggable Terminal Block 3.5 MM | |
| .X ±0.38 | | .X ±3° | | | |
| .XX ±0.25 | | .XX ±2° | | | |
| Draw by | 2015-09-01 | PROJECTION | | KLS P/N: | KLS2-EDLR-3.50-XXP-4S-00 |
| Check by | 2015-09-15 | UNITS | mm | NingBo KLS ELECTRONIC CO.,L TD. | |
| SCALE | | SHEET SIZE | A4 | | |



Material
 Nut: M2.5, Brass
 Housing: PA66, UL 94 V-0
 Pin header: Brass, Tin plated

Electrical
 Rated voltage: 300V
 Rated current: 8A
 Contact Resistance: 20 mΩ
 Insulation resistance: 500MΩ/DC500V
 Withstand voltage: AC2000V / 1 min

Mechanical
 Temp. Range: -40 °C ~ +105 °C

Order Information

L-KLS2-EDLR-3.81-XXP-4 S 00

RoHS
 Terminal Block
 Pitch
 No.: of Pole
 Color: 4- Green
 Screw: S-Slot Screw C-Cross Screw
 Product Code: 00~99

| GENERAL TOLERANCE | | ANGLE TOLERANCE | | Description: | |
|-------------------|------------|-----------------|----|----------------------------------|--------------------------|
| X. ±0.60 | | X. ±5° | | Pluggable Terminal Block 3.81 MM | |
| .X ±0.38 | | .X ±3° | | KLS P/N: | KLS2-EDLR-3.81-XXP-4S-00 |
| .XX ±0.25 | | .XX ±2° | | | |
| Draw by | 2015-09-01 | PROJECTION | | NingBo KLS ELECTRONIC CO.,L TD. | |
| Check by | 2015-09-15 | UNITS | mm | | |
| SCALE | | SHEET SIZE | A4 | | |