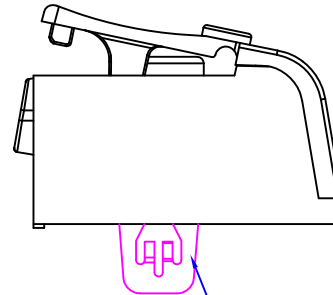
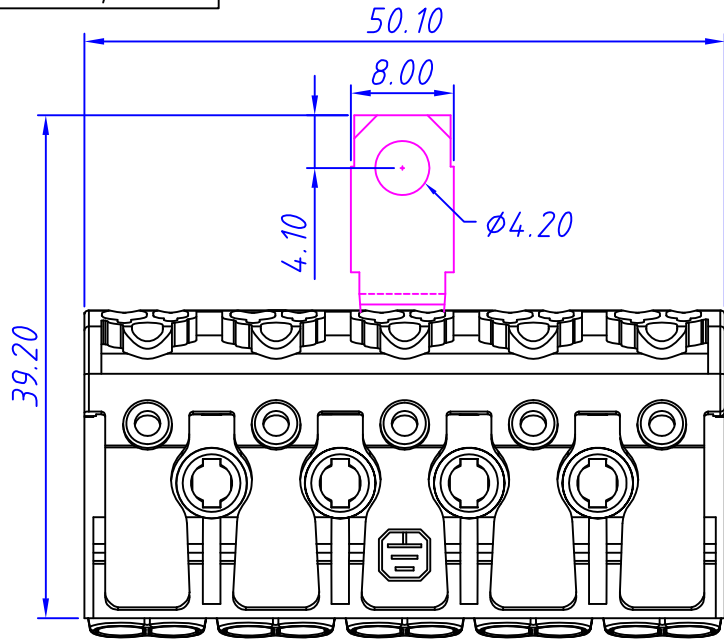


RoHS Compliance



Bottom GND Terminal

N Type

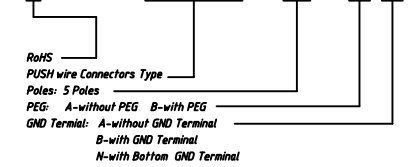
Electrical :
 Rated Voltage: 450V(IEC/ENI)/300V(UL)
 Rated Current: 16A
 Contact resistance: 20 mΩ
 Insulation resistance: 5000MΩ/DC1000V
 Withstanding voltage : AC2500V/1 min
 Cross Section: Solid conductor & Stranded conductor
 A holes: 0.5-2.5mm²/14-20AWG
 B holes: 0.5-1.5mm²/16-20AWG
 C holes: 0.5-2.5mm²/14-20AWG

Materials
 Insulation Materials: PA 66,WHITE,UL94V-2
 Contact: Copper,Nickel Plated
 Wire guard : Stainless steel

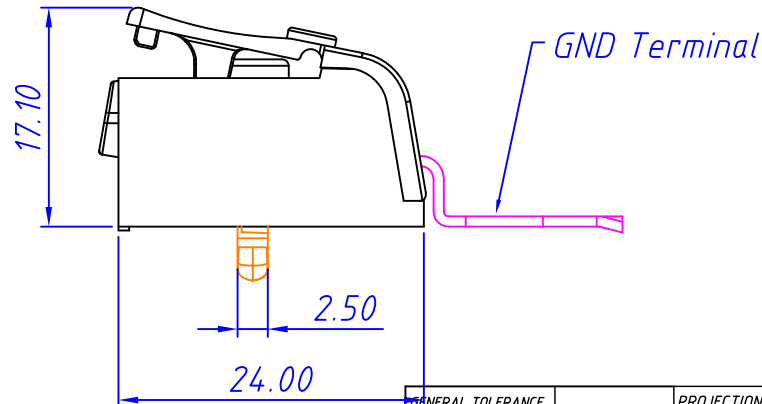
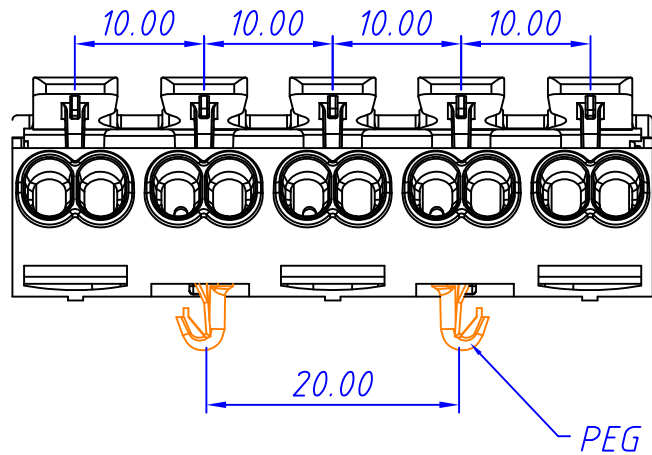
Number of poles: 5 poles
 Strip length : 8-10mm
 Operating Temperature: -40°C~+105°C

ORDER INFORMATION


L-KLS2- 238K - 05P X X



RoHS
 PUSH wire Connectors Type
 Poles: 5 Poles
 PEG: A-without PEG B-with PEG
 GND Terminal: A-without GND Terminal
 B-with GND Terminal
 N-with Bottom GND Terminal



GND Terminal

GENERAL TOLERANCE		ANGLE TOLERANCE	PROJECTION	Description:
X. ±0.60		±2°	UNITS	mm
.X ±0.38			SHEET SIZE	A4
.XX ±0.25			KLS P/N:	
Draw: Daniel	2018-08-27	 NingBo KLS ELECTRONIC CO.,L TD.		PUSH wire Connector
Check: Daniel	2018-08-27			L-KLS2- 238K -05Pxx
SCALE	SHEET			