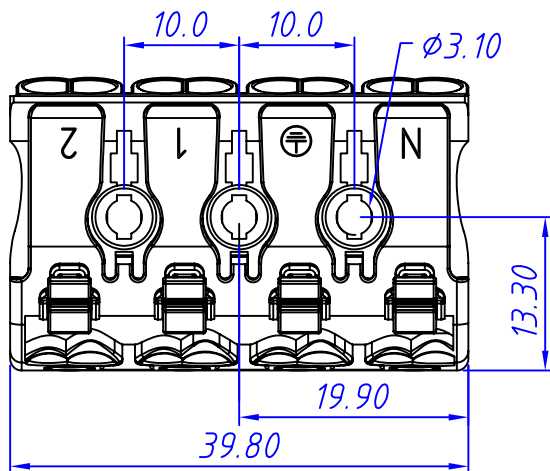
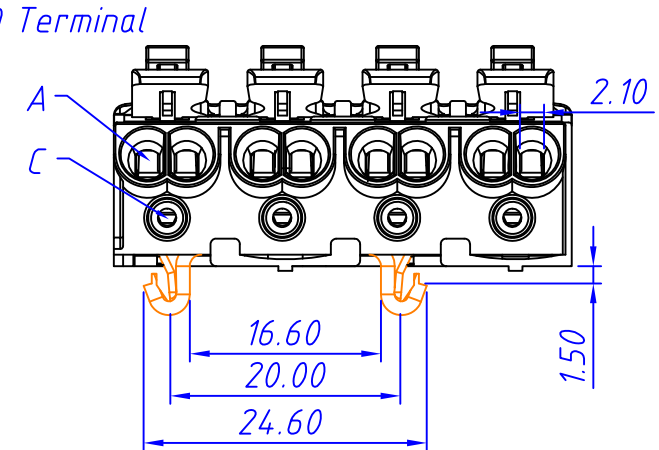
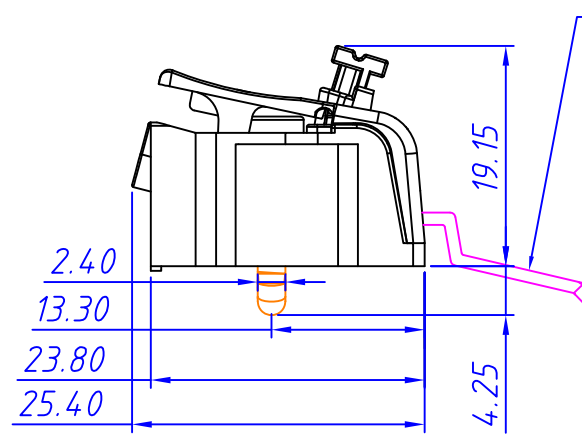
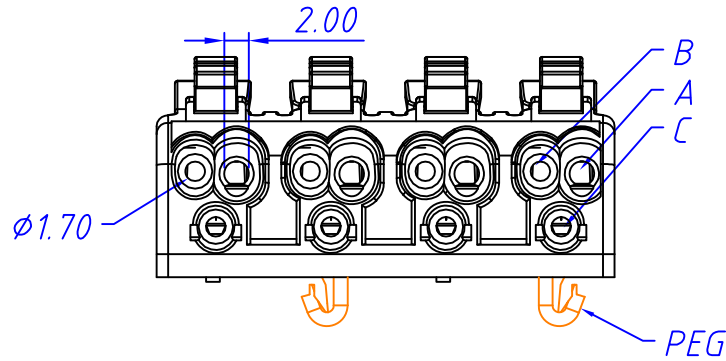
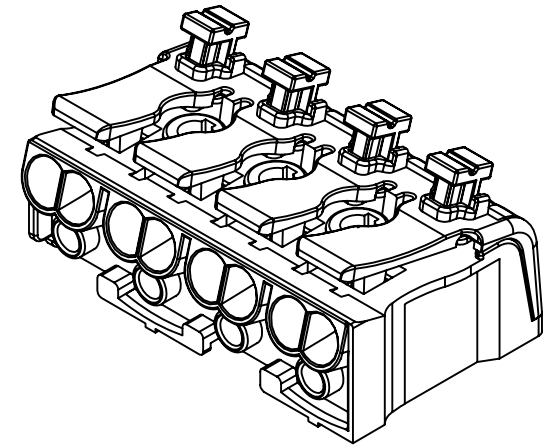
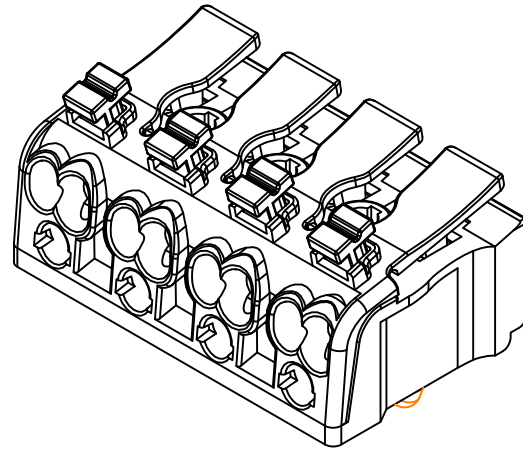
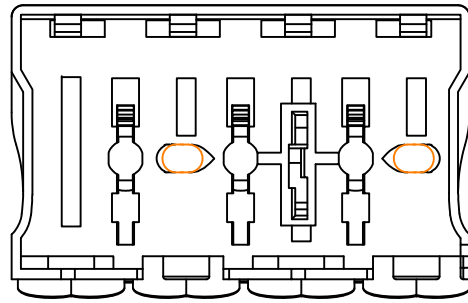


1 RoHS Compliance



Electrical :

- Rated Voltage: 450V(IEC/ENI/300V(UL))
- Rated Current: 16A
- Contact resistance: 20 mΩ
- Insulation resistance: 5000MΩ/DC1000V
- Withstanding voltage: AC2500V/1 min
- Cross Section: Solid conductor & Stranded conductor
- A holes: 0.5-2.5mm<sup>2</sup>/14-20AWG
- B holes: 0.5-1.5mm<sup>2</sup>/16-20AWG
- C holes: 0.5-2.5mm<sup>2</sup>/14-20AWG

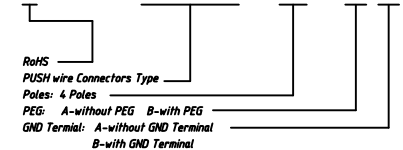
Materials


- Insulation Materials: PA 66,WHITE,UL94V-2
- Contact: Copper,Nickel Plated
- Wire guard: Stainless steel

- Number of poles: 4 poles
- Strip length: 8-10mm
- Operating Temperature: -40°C ~ +105°C

ORDER INFORMATION

L-KLS2- 238M - 04P X X



GENERAL TOLERANCE		ANGLE TOLERANCE	PROJECTION	Description:
X. ±0.60	±2°	UNITS	mm	PUSH wire Connector
.X ±0.38		SHEET SIZE	A4	
.XX ±0.25		KLS P/N:		L-KLS2-238M-04Pxx
Draw: Daniel	2018-08-27	 NingBo KLS ELECTRONIC CO.,L TD.		
Check: Daniel	2018-08-27			
SCALE	SHEET			