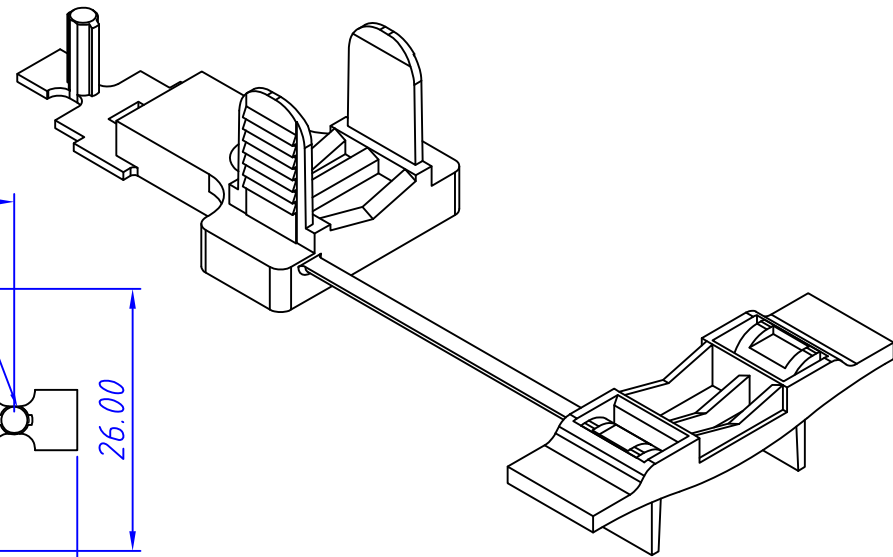
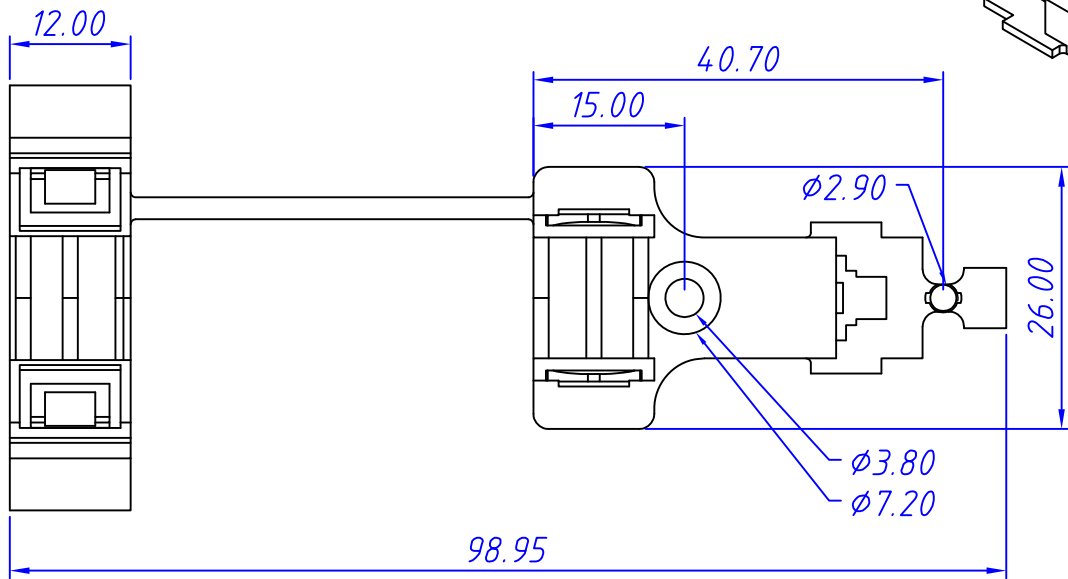
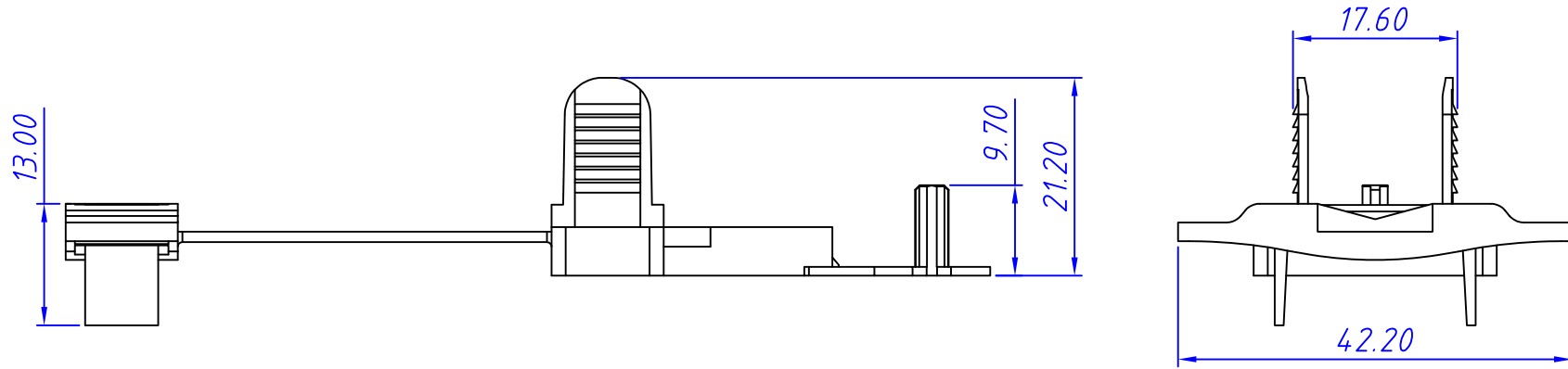


RoHS Compliance

Materials
 Insulation Materials: PA 66,WHITE,UL94V-2
 Adapter terminals: KLS2-238L-02P
 Operating Temperature: -40°C ~ +105°C



GENERAL TOLERANCE	ANGLE TOLERANCE	PROJECTION	Description:
X. ±0.60	±2°	UNITS	mm
.X ±0.38		SHEET SIZE	A4
.XX ±0.25		KLS P/N:	L-KLS2-238Z

Draw: Daniel 2018-08-27
 Check: Daniel 2018-08-27
 SCALE SHEET



NingBo KLS ELECTRONIC CO.,L TD.