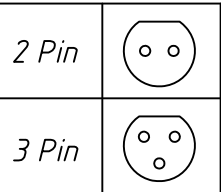
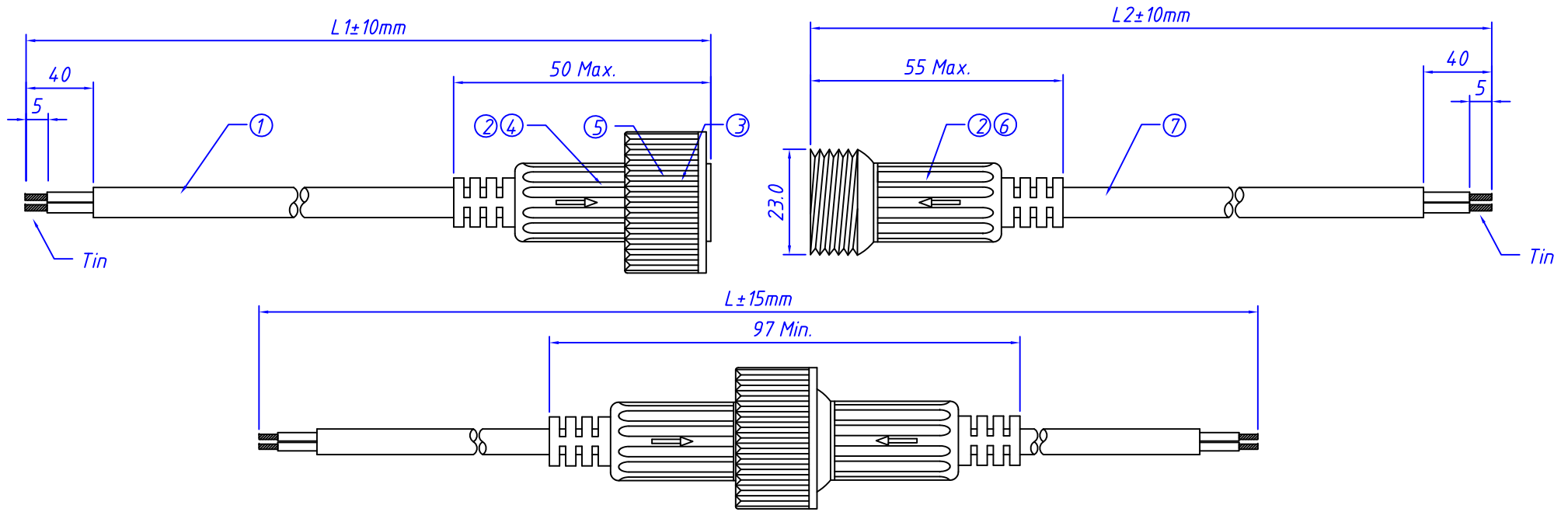


RoHS Compliant



Note
 1: Open/Short Text 100% Text. insulation: Min, 2M
 2: All must be meet on RoHS Compliant

7	Cable	H05VV-F 2x0.5mm ² PVC Cable,Black,OD6.8mm	mm	L2
6	Terminal	Female terminal,Tin plated	PCS	2
5	Nut	M23,PC,Black	PCS	1
4	Terminal	Male terminal,Tin plated	PCS	2
3	Sealing ring	Silicone waterproof circle,Red	PCS	1
2	PVC	PVC 45P MOLDING,Black	g	35x2
1	Cable	H05VV-F 2x0.5mm ² PVC Cable,Black,OD6.8mm	mm	L1
ITEM	PART NAME	Description	UNIT	Q'TY

Order Information:
 L-KLS17-LP007-XXX B 2 05 XX

RoHS —
 Series —
 Long: —
 1000- L=1000mm
 Color: —
 W- White / B- Black
 Pin Contacts: —
 2 Pin or 3 Pin
 Wire Gauge: —
 05- 0.5mm² 75- 0.75mm²
 10- 1.0mm²
 Product Code —

How to order KLS waterproof cable:
 1-Confirm the cable material
 2-Connector Contact number & wire size
 (2x0.5mm² ,2x0.75mm² ,22AWGx2C ,18AWGx2C ,.....)
 3-Select form factor
 4-Determination of length, single-sided length with connector
 5-Determine the tail handling method
 (Stripping, Tin.....)
 6-Special custom requirements

		Description:	
		M23 waterproof cable ,IP67	
PROJECTION		KLS P/N:	L-KLS17-LP007-XXXXXXXXXX
UNITS	mm		
SHEET SIZE	A4		
Draw:Daniel	2018-09-29		NingBo KLS ELECTRONIC CO.,L TD.
Check:Daniel	2018-09-29		